

5th Edition

Division 8



TownSteel®

Architectural Hardware MFG

PRODUCT CATALOG



INDEX

A	Maxx Access System
B	Mortise Locks
C	Cylindrical Locks
D	Interconnect Locks
E	Tubular Locks
F	Ligature Resistant Locks
G	Door Closers
H	Exit Devices
I	General Hardware
J	Warranty and LEED Information

Company Introduction:

Townsteel has been manufacturing high quality commercial and residential grade hardware for over 20 years. We take pride in our ability to maintain a product offering that is second to none. With a talented and dedicated engineering team, Townsteel is continually innovating our product line to assure that we are on the cutting edge of the Door and Hardware Industry. Our trims are made of the finest quality Stainless Steel and Plated materials to assure their Longevity.

Townsteel has the goal of offering the most imaginative and exciting design concepts possible limited only by the physical confines of the product and codes. We look forward to working with you to bring your project in ON TIME, ON BUDGET, and to your COMPLETE SATISFACTION.



TownSteel[®]
Architectural Hardware MFG

PRODUCT CATALOG

MAXX ACCESS SYSTEM

A

MAXX ACCESS SYSTEM

Subindex

Electronic Mortise Lock

- 5 e-KONTOS 1A Series
- 6 e-KONTOS 1A Automatic Deadbolt Series
- 7 e-KONTOS 1B Series
- 8 e-KONTOS 1B Automatic Deadbolt Series
- 9 e-TRIDENT 1A Series
- 10 e-TRIDENT 1A Automatic Deadbolt Series
- 11 e-TRIDENT 1B Series
- 12 e-TRIDENT 1B Automatic Deadbolt Series
- 13 e-TRIDENT 2A Series
- 14 e-TRIDENT 2A Automatic Deadbolt Series
- 15 e-TRIDENT 2B Series
- 16 e-TRIDENT 2B Automatic Deadbolt Series
- 17 e-CRONUS 1A Series
- 18 e-CRONUS 1A Automatic Deadbolt Series
- 19 e-CRONUS 1B Series
- 20 e-CRONUS 1B Automatic Deadbolt Series
- 21 e-CRONUS 2A Series
- 22 e-CRONUS 2A Automatic Deadbolt Series
- 23 e-CRONUS 2B Series
- 24 e-CRONUS 2B Automatic Deadbolt Series

Electronic Exit Device Trim

- 26 e-KESTROS 1A Series
- 27 e-KESTROS 1B Series

Electronic Interconnect

- 28 e-Genius Series

Electronic Cylindrical Lock

- 31 e-Elite Series

Electronic Deadbolt

- 33 e-Smart Series

System Components

- 35 Door Lock Programmer (DLP6)
- 36 Keycard Programmer (KPS6)

Management System

- 37 4 Doors Access Control (AC4)
- 38 Elevator Control (EC16)

Readers

Levers

MAXX ACCESS SYSTEM

Maxx Access Features

- ▶ Time-based access control system with selectable keycard expiration
- ▶ High security – Multiple levels of encryption and unique to each property
- ▶ Keycard encryption: proprietary and unique to each installation
- ▶ Configurable user profiles to secure system access & securely programs and encodes credentials and accessories
- ▶ Different authorization levels, ranging from front desk staff to upper management users
- ▶ Setup and audit memory: internal real-time clock with non-volatile memory
- ▶ Convenient lost or stolen guest key cancellation and replacement
- ▶ Supports multi-room access with one key
- ▶ Common and restricted area management through credential or scheduled access
- ▶ Keycard programmability customized to each user's access authorization
- ▶ Provides extensive and detailed system-use reports, including:
 - Key creation transactions
 - Key user authorizations
 - Complete system access audit trails

Electronic Mortise Lock



Electronic Exit Device Trim



Door Lock Programmer



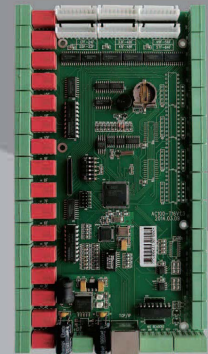
Keycard Programmer



4 Doors Controller



Elevator Controller



TOTAL SOLUTIONS



Electronic Interconnect



Electronic Cylindrical Lock



Electronic Deadbolt Lock



Readers



Mortise

Three functions and chassis to choose from:

Regular mortise



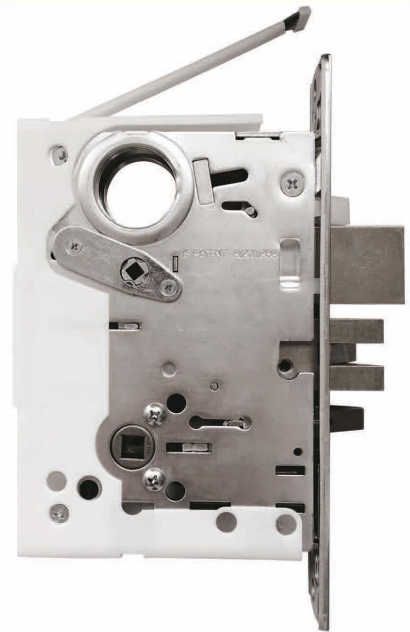
★ US PATENTS
8201858
8419086

Clutch mortise



★ US PATENTS
8292336
8424935

Automatic deadbolt mortise



★ US PATENT
8201858

Key Features

- ★ 2000 event audit trail
- ★ REX sensor built-in
- ★ Door position sensor
- ★ Mechanical key-override sensor
- ★ Privacy sensor

Mechanical Specifications

- ANSI/BHMA Grade 1 listed mortise lockset
- UL 10C 3 Hour Rated
- Lever return less than 1/2" (dependent upon lever selection)
- Backset: 2-3/4"
- Door thickness: 1-3/4", other upon request
- Stainless steel deadbolt with 1" throw, Anti-saw hardened pins
- Stainless steel latch bolt, 3/4" projection, split
- ANSI strike, stainless steel or plated
- Handing is field reversible

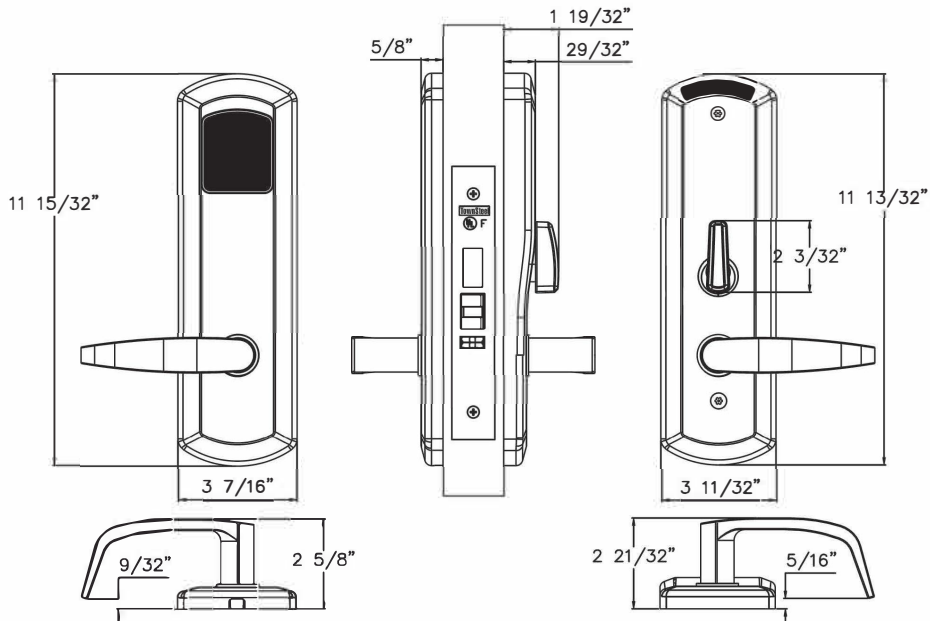
e-KONTOS 1A Series



ANSI Grade 1



Profile



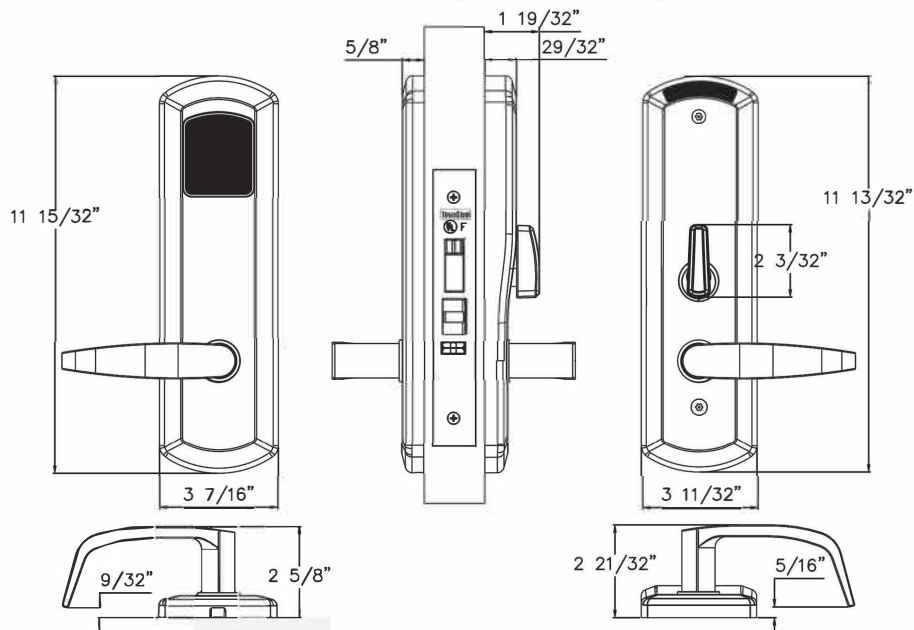
How To Order

Series	e-Kontos 1A: No cylinder
Model Number	5R: 5000-RF(WiFi) / 5B: 5000-BLE(Bluetooth) 6: 6000(Maxx Access System)
Lockbody	R: Rigid / C: Clutched / X: Automatic Deadbolt Series
Lever Style	S: Sentinel / Q: Quest / Or see TownSteel Catalog
Finish	622: US19, Flat Black / 626: US26D, Satin Chrome Or special color upon request
Cylinder	N/A

Model Number Lever
EKO 1A6R - SLH 626
 Series Lockbody Finish



Profile



How To Order

Series	e-Kontos 1A: No cylinder
Model Number	5R: 5000-RF(WiFi) / 5B: 5000-BLE(Bluetooth) 6: 6000(Maxx Access System)
Lockbody	R: Rigid / C: Clutched / X: Automatic Deadbolt Series
Lever Style	S: Sentinel / Q: Quest / Or see TownSteel Catalog
Finish	622: US19, Flat Black / 626: US26D, Satin Chrome Or special color upon request
Cylinder	N/A

Model Number Lever
EKO 1A6X - SLH626
 Series Lockbody Finish

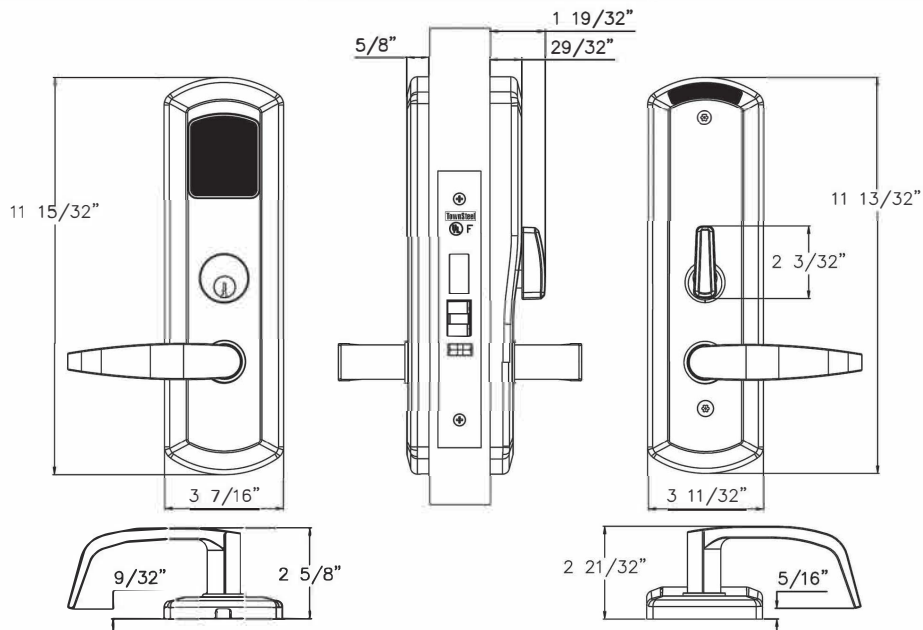
e-KONTOS 1B Series



ANSI Grade 1



Profile



How To Order

Series	e-Kontos 1B: With cylinder
Model Number	5R: 5000-RF(WiFi) / 5B: 5000-BLE(Bluetooth) 6: 6000(Maxx Access System)
Lockbody	R: Rigid / C: Clutched / X: Automatic Deadbolt Series
Lever Style	S: Sentinel / Q: Quest / Or see TownSteel Catalog
Finish	622: US19, Flat Black / 626: US26D, Satin Chrome Or special color upon request
Cylinder	Any mortise cylinder can be used

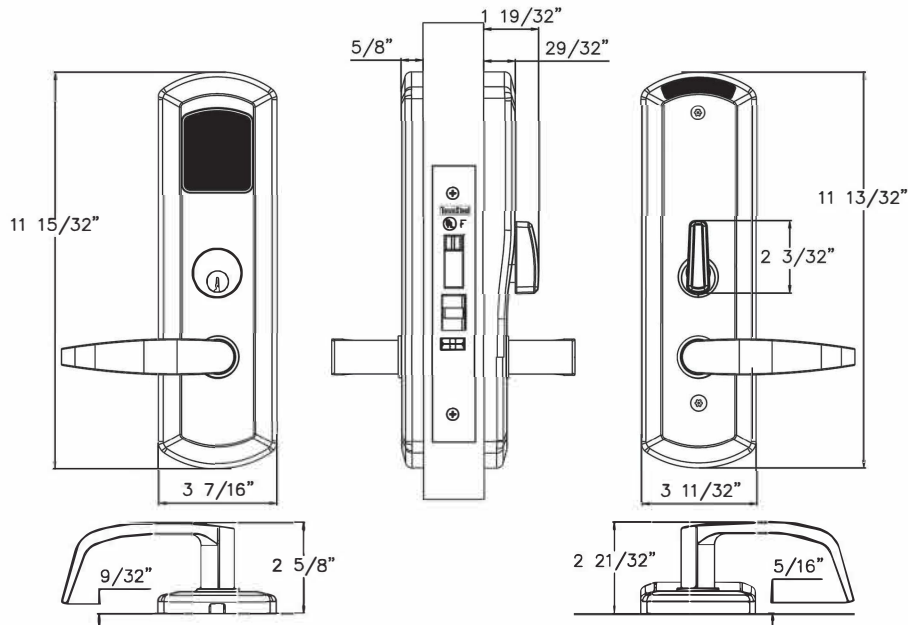
Model Number Lever Cylinder

EKO 1B6R-SLH626-SFIC7

Series Lockbody Finish

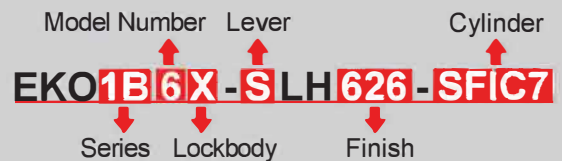


Profile



How To Order

Series	e-Kontos 1B: With cylinder
Model Number	5R: 5000-RF(WiFi) / 5B: 5000-BLE(Bluetooth) 6: 6000(Maxx Access System)
Lockbody	R: Rigid / C: Clutched / X: Automatic Deadbolt Series
Lever Style	S: Sentinel / Q: Quest / Or see TownSteel Catalog
Finish	622: US19, Flat Black / 626: US26D, Satin Chrome Or special color upon request
Cylinder	Any mortise cylinder can be used



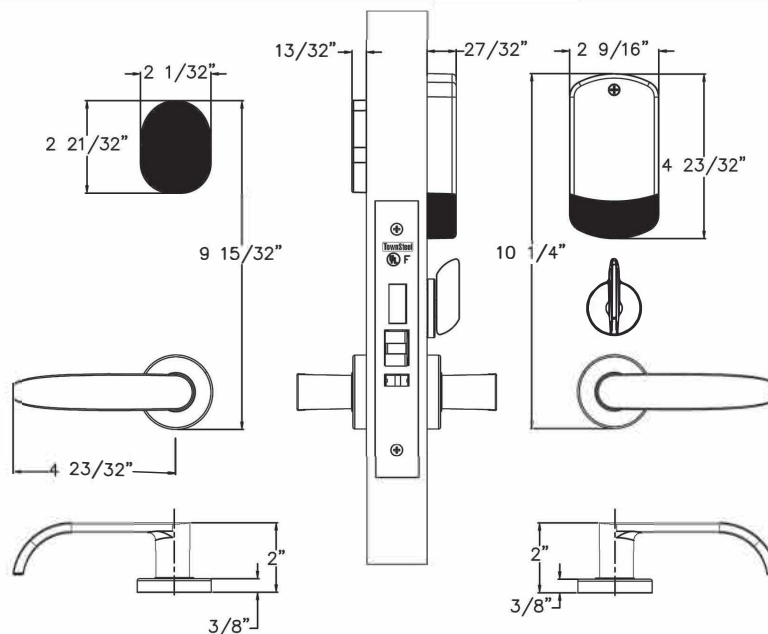
e-TRIDENT 1A Series



ANSI Grade 1



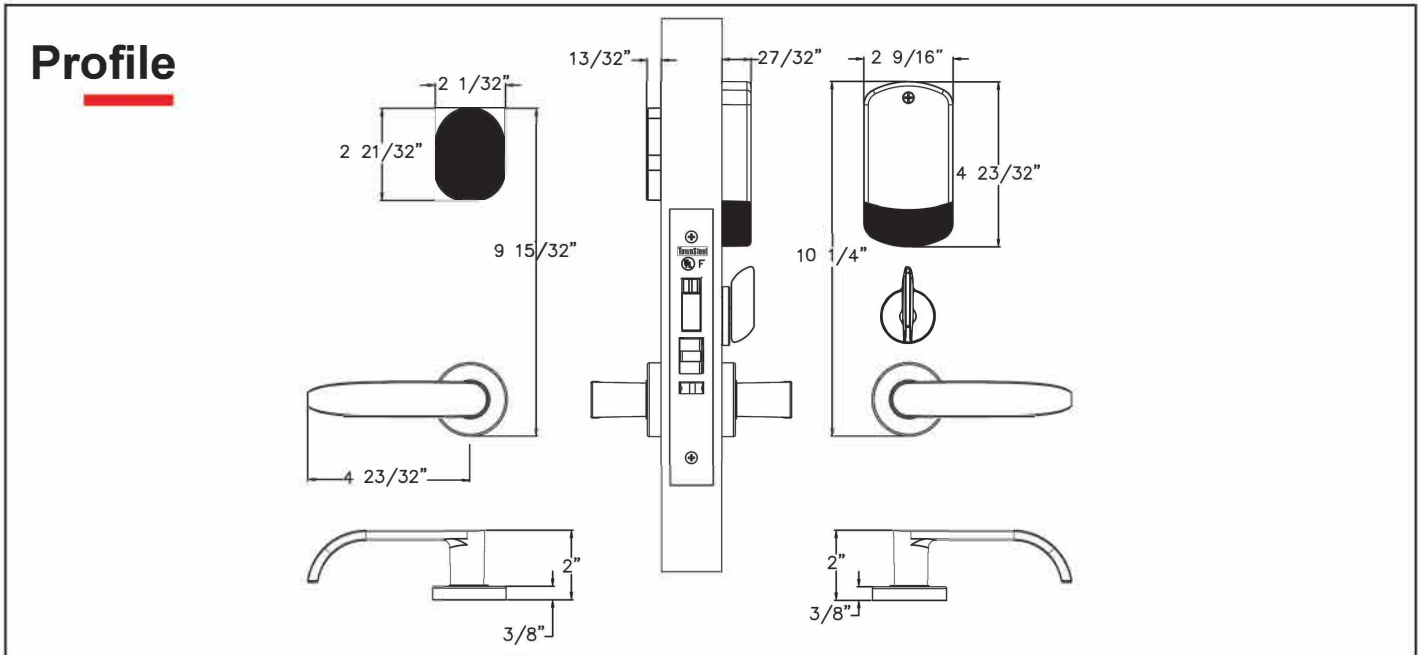
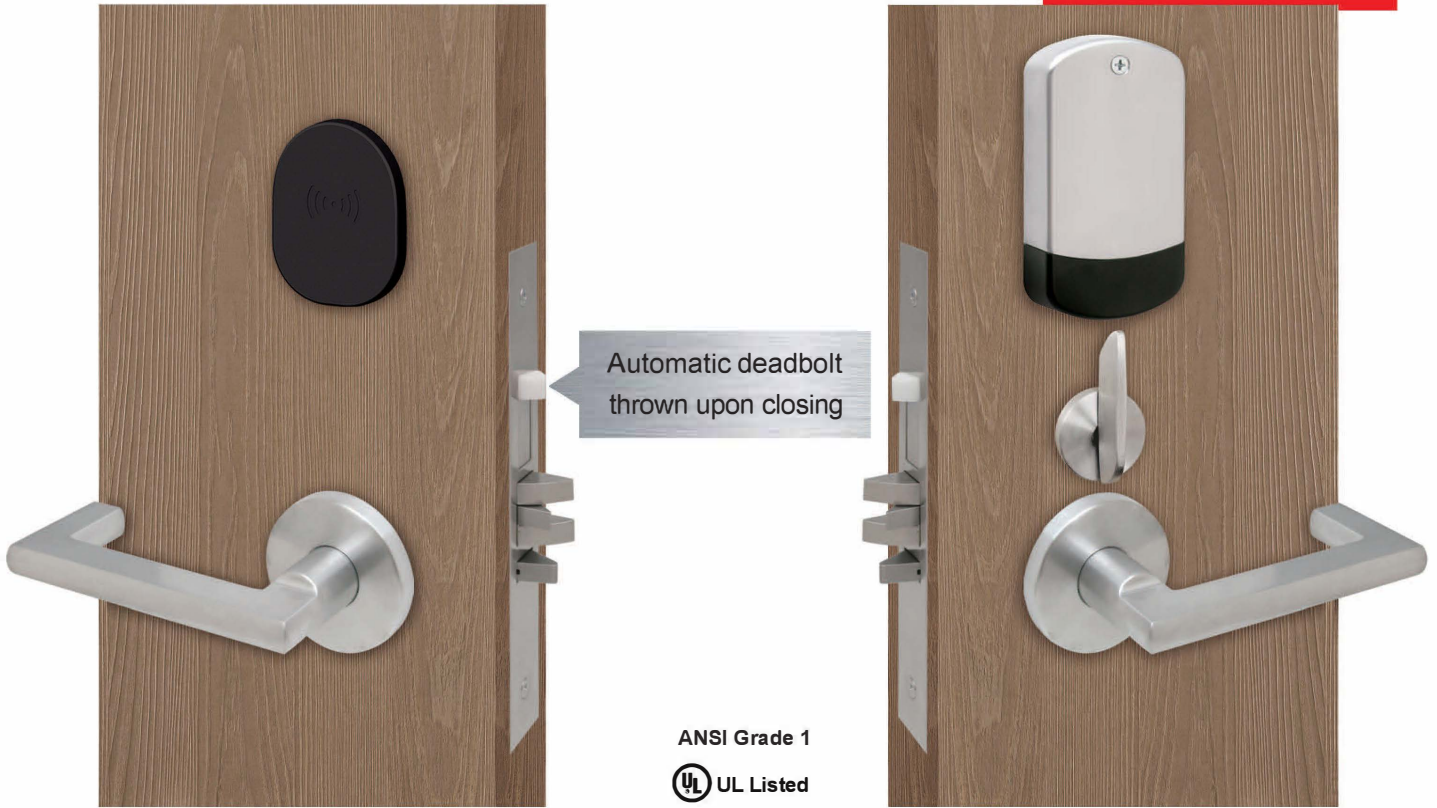
Profile



How To Order

Series	e-Trident 1A
Lockbody	R: Rigid / C: Clutched / X: Automatic Deadbolt Series
Lever Style	S: Sentinel / Q: Quest / Or see TownSteel Catalog
Finish	622: US19, Flat Black / 626: US26D, Satin Chrome Or special color upon request
Cylinder	N/A

Lever
 ↑
ETR1A6 R - S L H 626
 ↓ ↓
 Lockbody Finish



How To Order

Series	e-Trident 1A
Lockbody	R: Rigid / C: Clutched / X: Automatic Deadbolt Series
Lever Style	S: Sentinel / Q: Quest / Or see TownSteel Catalog
Finish	622: US19, Flat Black / 626: US26D, Satin Chrome Or special color upon request
Cylinder	N/A

Lever
ETR1A6X-SLH626
 Lockbody Finish

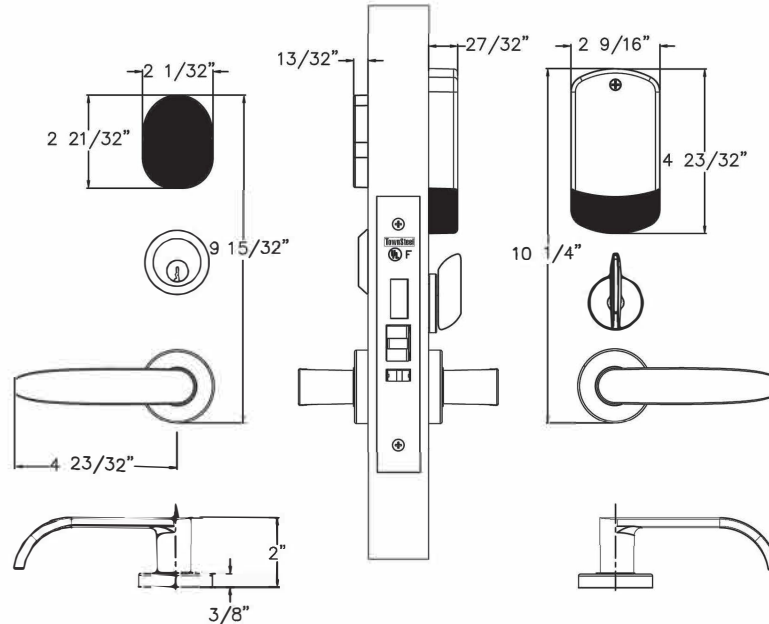
e-TRIDENT 1B Series



ANSI Grade 1



Profile



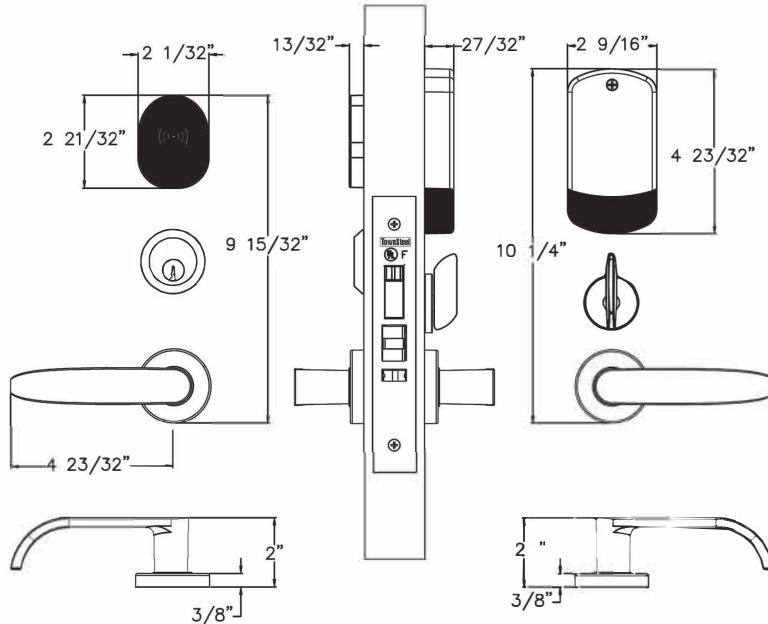
How To Order

Series	e-Trident 1B
Lockbody	R: Rigid / C: Clutched / X: Automatic Deadbolt Series
Lever Style	S: Sentinel / Q: Quest / Or see TownSteel Catalog
Finish	622: US19, Flat Black / 626: US26D, Satin Chrome Or special color upon request
Cylinder	Any mortise cylinder can be used

Lever Cylinder
 ↑ ↑
ETR1B6R-SLH626-SFIC7
 ↓ ↓
 Lockbody Finish



Profile



How To Order

Series	e-Trident 1B
Lockbody	R: Rigid / C: Clutched / X: Automatic Deadbolt Series
Lever Style	S: Sentinel / Q: Quest / Or see TownSteel Catalog
Finish	622: US19, Flat Black / 626: US26D, Satin Chrome Or special color upon request
Cylinder	Any mortise cylinder can be used

Lever
Cylinder

↑
↑

ETR1B6 X - S LH 626 - SFIC7

↓
↓

Lockbody
Finish

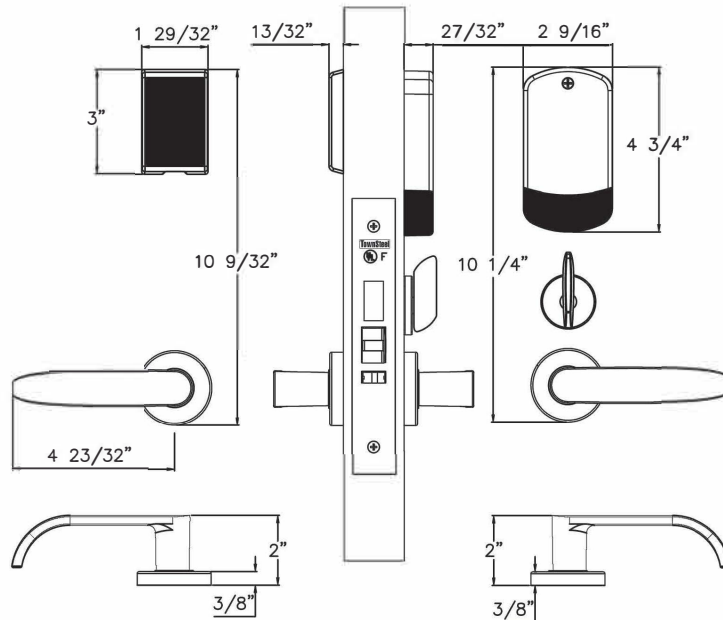
e-TRIDENT 2A Series



ANSI Grade 1



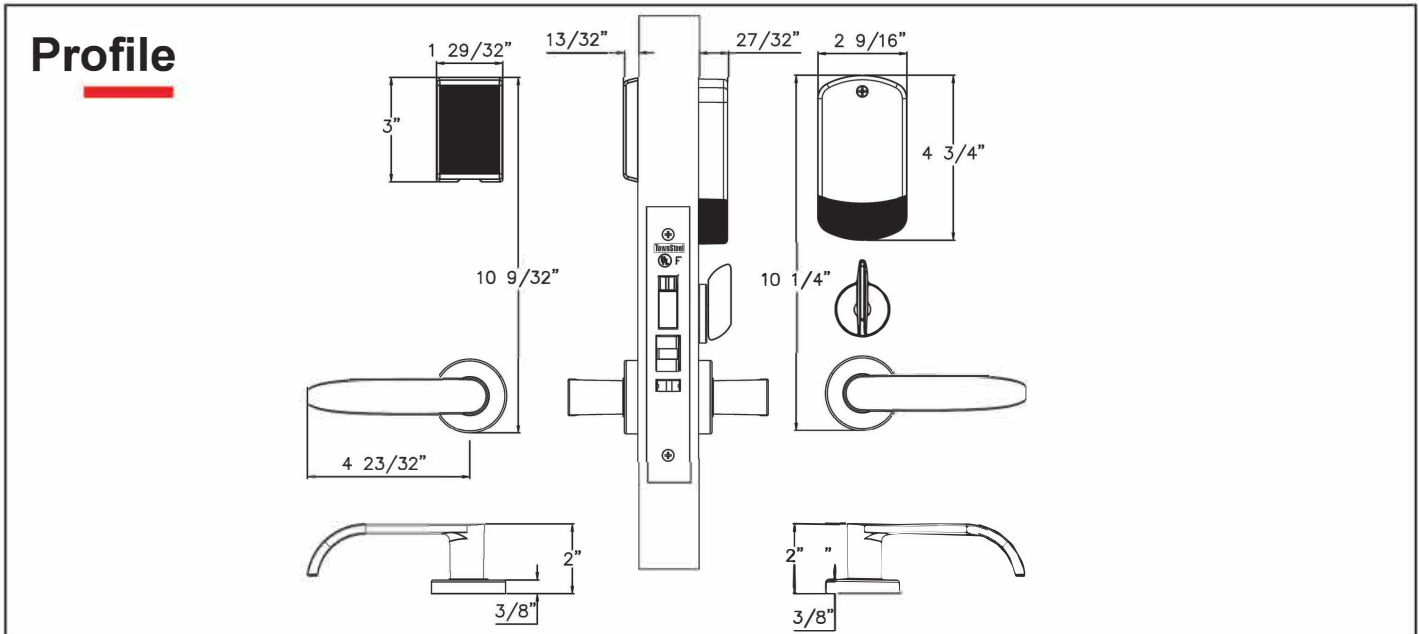
Profile



How To Order

Series	e-Trident 2A
Lockbody	R: Rigid / C: Clutched / X: Automatic Deadbolt Series
Lever Style	Sentinel / Quest / Or see TownSteel Catalog
Finish	622: US19, Flat Black / 626: US26D, Satin Chrome Or special color upon request
Cylinder	N/A

Lever
ETR2A6R-SLH626
 Lockbody Finish



How To Order	
Series	e-Trident 2A
Lockbody	R: Rigid / C: Clutched / X: Automatic Deadbolt Series
Lever Style	S: Sentinel / Q: Quest / Or see TownSteel Catalog
Finish	622: US19, Flat Black / 626: US26D, Satin Chrome Or special color upon request
Cylinder	N/A

Lever
↑
ETR2A6X-SLH626
↓ Lockbody ↓ Finish

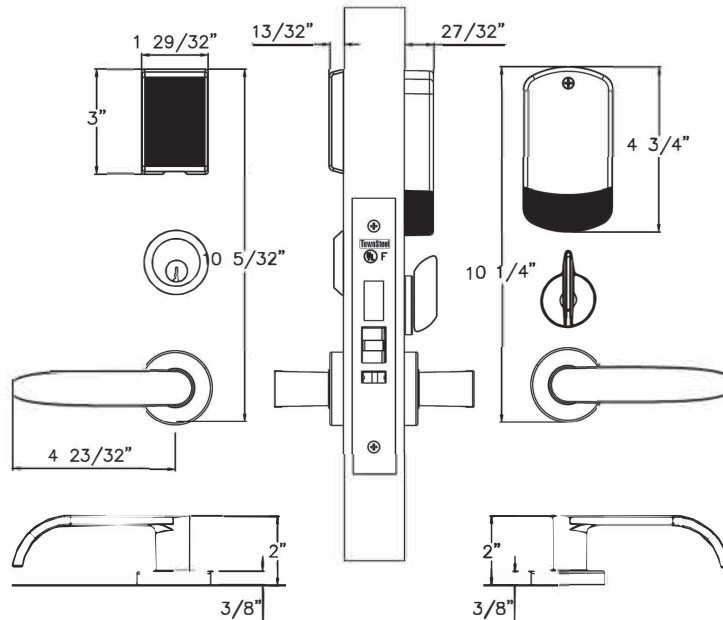
e-TRIDENT 2B Series



ANSI Grade 1



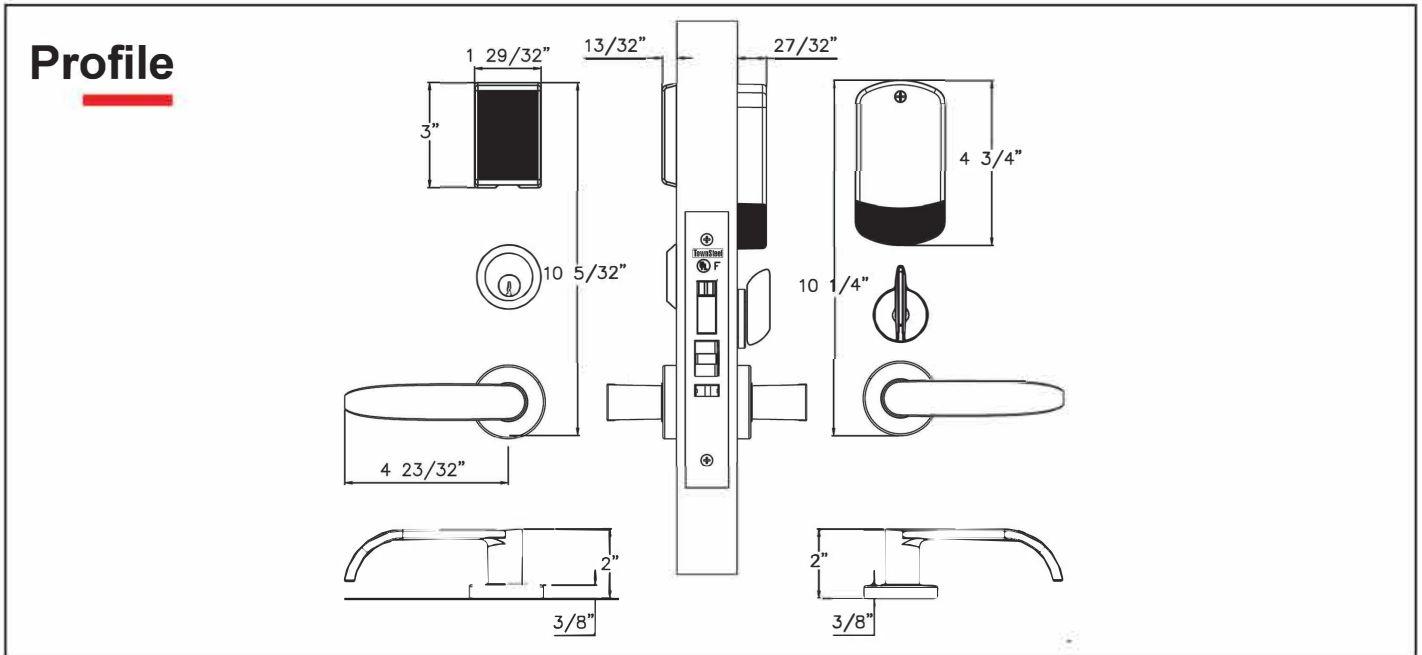
Profile



How To Order

Series	e-Trident 2B
Lockbody	R: Rigid / C: Clutched / X: Automatic Deadbolt Series
Lever Style	S: Sentinel / Q: Quest / Or see TownSteel Catalog
Finish	622: US19, FlatBlack / 626: US26D, Satin Chrome Or special color upon request
Cylinder	Any mortise cylinder can be used

Lever Cylinder
 ↑ ↑
ETR2B6 R - S LH 626 - SFIC7
 ↓ ↓
 Lockbody Finish



How To Order

Series	e-Trident 2B
Lockbody	R: Rigid / C: Clutched / X: Automatic Deadbolt Series
Lever Style	S: Sentinel / Q: Quest / Or see TownSteel Catalog
Finish	622: US19, Flat Black / 626: US26D, Satin Chrome Or special color upon request
Cylinder	Any mortise cylinder can be used



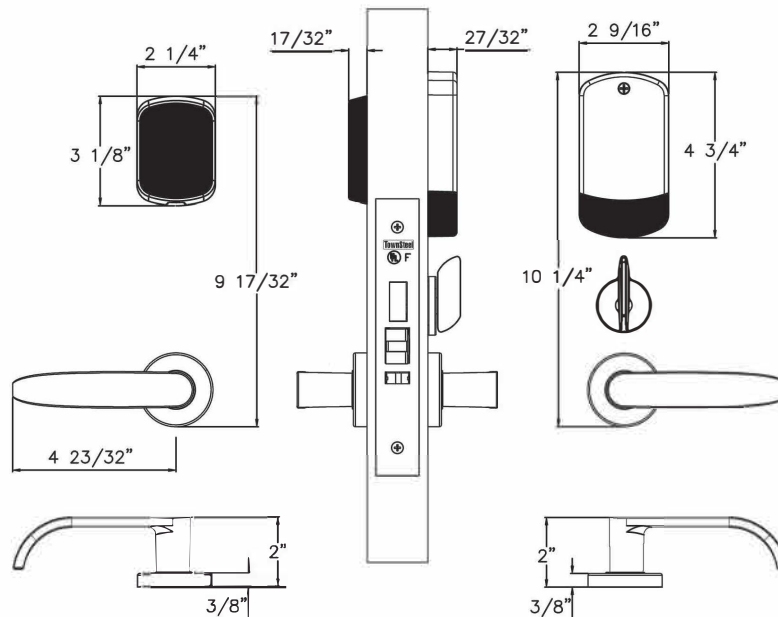
e-CRONUS 1A Series



ANSI Grade 1



Profile



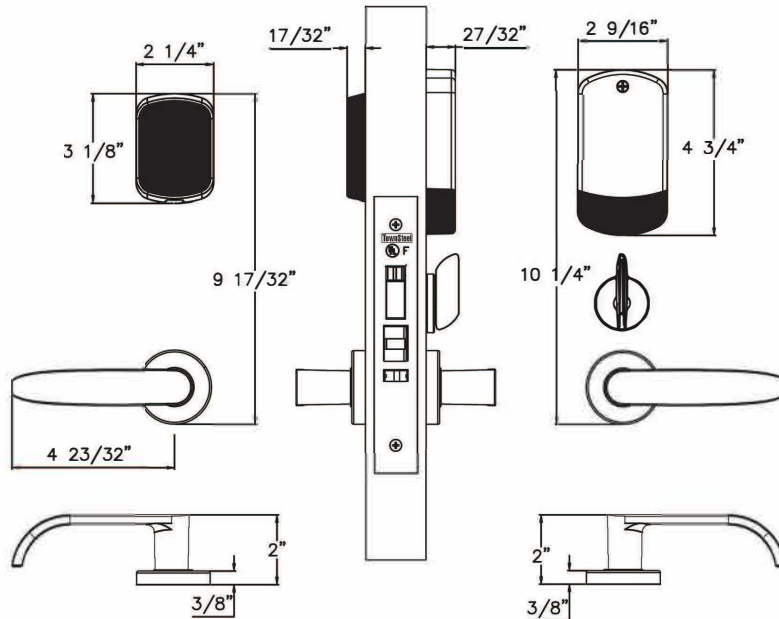
How To Order

Series	e-Cronus 1A: No cylinder
Model Number	2: 2000(Keypad) / 4: 4000(RFID) / 5R: 5000-RF(WiFi) 5B: 5000-BLE(Bluetooth) / 6: 6000(Maxx Access System)
Lockbody	R: Rigid / C: Clutched / X: Automatic Deadbolt Series
Lever Style	S: Sentinel / Q: Quest / Or see TownSteel Catalog
Finish	622: US19, Flat Black / 626: US26D, Satin Chrome Or special color upon request
Cylinder	N/A

Model Number Lever
ECR 1A6R - S LH 626
 Series Lockbody Finish



Profile



How To Order

Series	e-Cronus 1A: No cylinder
Model Number	2: 2000(Keypad) / 4: 4000(RFID) / 5R: 5000-RF(WiFi) 5B: 5000-BLE(Bluetooth) / 6: 6000(Maxx Access System)
Lockbody	R: Rigid / C: Clutched / X: Automatic Deadbolt Series
Lever Style	S: Sentinel / Q: Quest / Or see TownSteel Catalog
Finish	622: US19, Flat Black / 626: US26D, Satin Chrome Or special color upon request
Cylinder	N/A

Model Number Lever

ECR 1A6X-SLH 626

Series Lockbody Finish

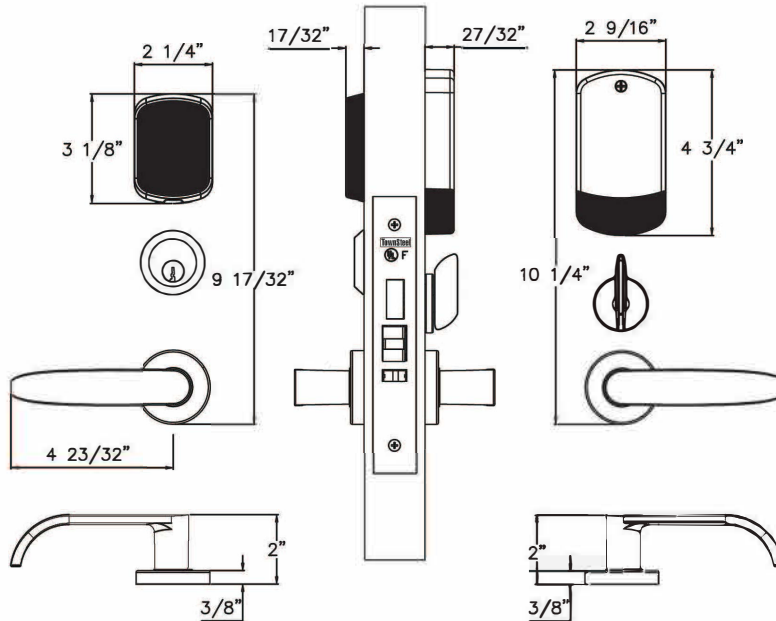
e-CRONUS 1B Series



ANSI Grade 1

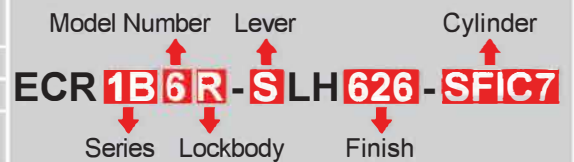


Profile



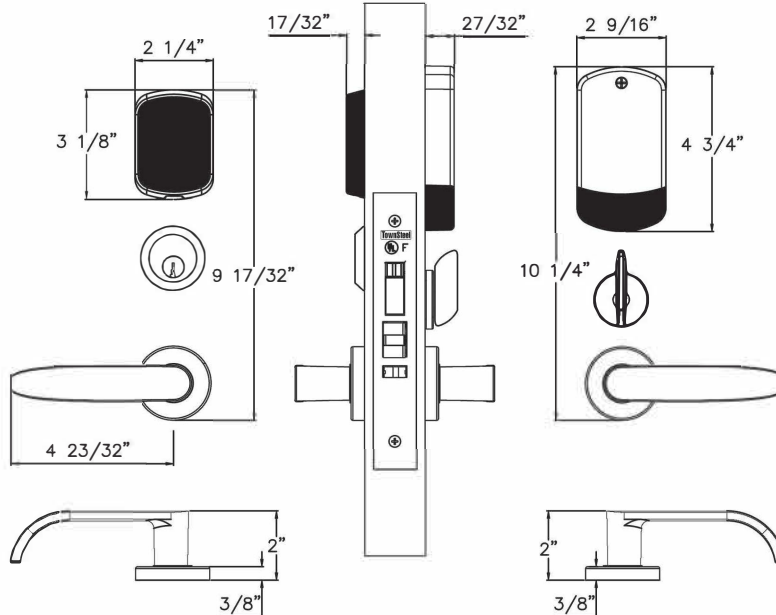
How To Order

Series	e-Cronus 1B: With cylinder
Model Number	2: 2000(Keypad) / 4: 4000(RFID) / 5R: 5000-RF(WiFi) 5B: 5000-BLE(Bluetooth) / 6: 6000(Maxx Access System)
Lockbody	R: Rigid / C: Clutched / X: Automatic Deadbolt Series
Lever Style	S: Sentinel / Q: Quest / Or see TownSteel Catalog
Finish	622: US19, Flat Black / 626: US26D, Satin Chrome Or special color upon request
Cylinder	Any mortise cylinder can be used



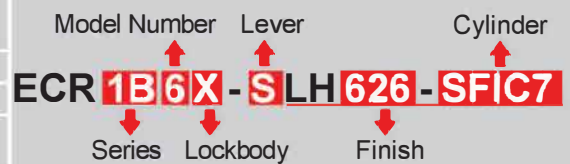


Profile



How To Order

Series	e-Cronus 1B: With cylinder
Model Number	2: 2000(Keypad) / 4: 4000(RFID) / 5R: 5000-RF(WiFi) 5B: 5000-BLE(Bluetooth) / 6: 6000(Maxx Access System)
Lockbody	R: Rigid / C: Clutched / X: Automatic Deadbolt Series
Lever Style	S: Sentinel / Q: Quest / Or see TownSteel Catalog
Finish	622: US19, Flat Black / 626: US26D, Satin Chrome Or special color upon request
Cylinder	Any mortise cylinder can be used



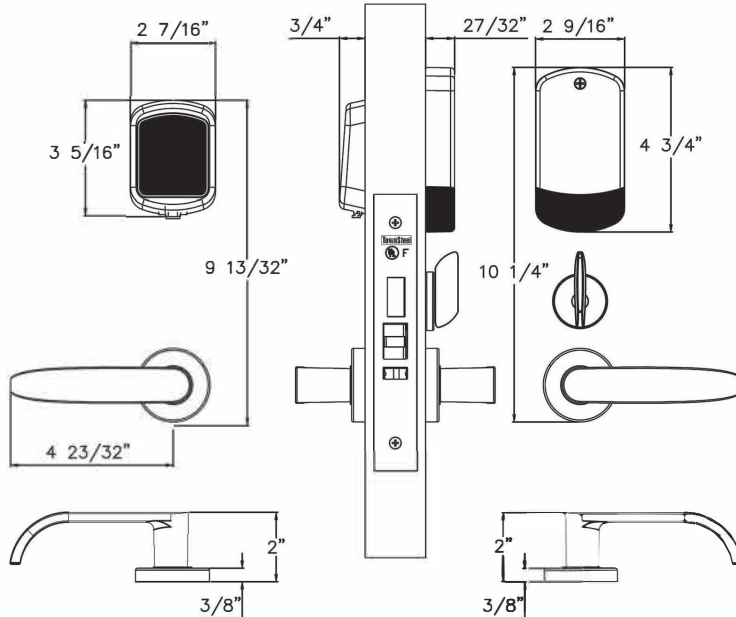
e-CRONUS 2A Series



ANSI Grade 1



Profile



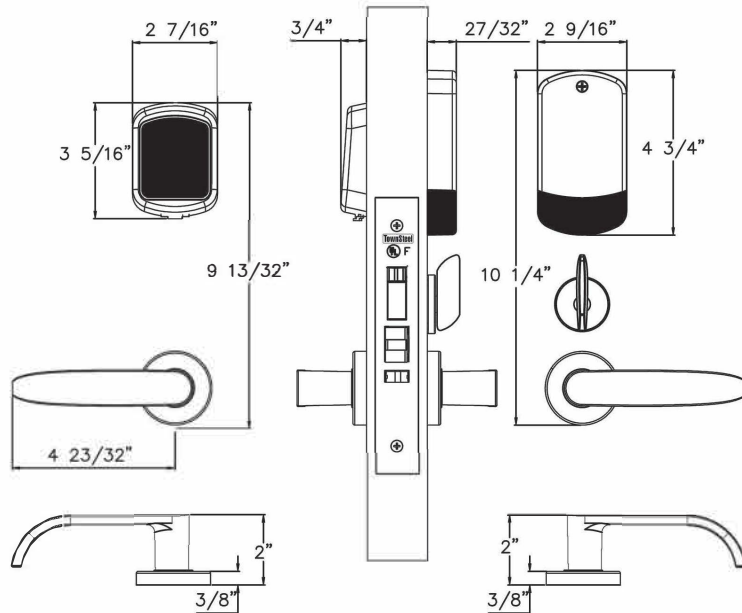
How To Order

Series	e-Cronus 2A: No cylinder
Model Number	2: 2000(Keypad) / 4: 4000(RFID) / 5R: 5000-RF(WiFi) 5B: 5000-BLE(Bluetooth) / 6: 6000(Maxx Access System)
Lockbody	R: Rigid / C: Clutched / X: Automatic Deadbolt Series
Lever Style	S: Sentinel / Q: Quest / Or see TownSteel Catalog
Finish	622: US19, Flat Black / 626: US26D, Satin Chrome Or special color upon request
Cylinder	N/A

Model Number Lever
ECR 2A6R - S LH 626
 Series Lockbody Finish



Profile



How To Order

Series	e-Cronus 2A: No cylinder
Model Number	2: 2000(Keypad) / 4: 4000(RFID) / 5R: 5000-RF(WiFi) 5B: 5000-BLE(Bluetooth) / 6: 6000(Maxx Access System)
Lockbody	R: Rigid / C: Clutched / X: Automatic Deadbolt Series
Lever Style	S: Sentinel / Q: Quest / Or see TownSteel Catalog
Finish	622: US19, Flat Black / 626: US26D, Satin Chrome Or special color upon request
Cylinder	N/A

Model Number Lever

ECR 2A 6 X - S LH 626

Series Lockbody Finish

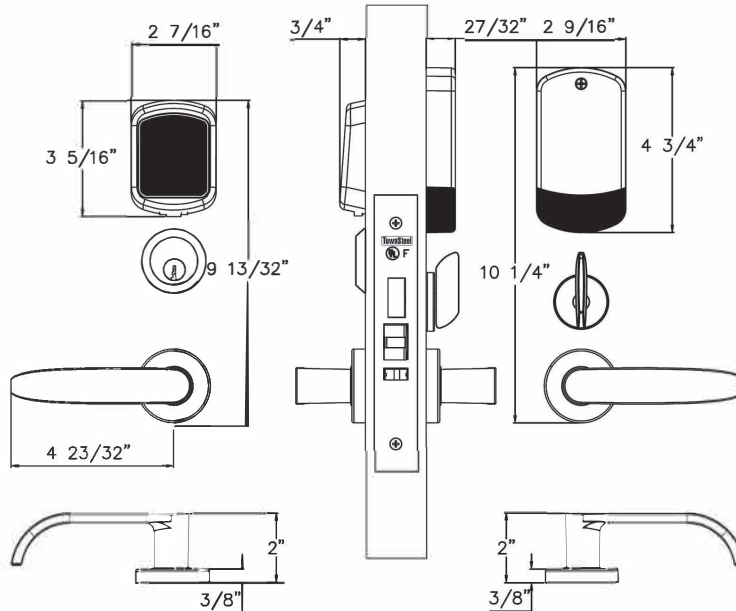
e-CRONUS 2B Series



ANSI Grade 1



Profile



How To Order

Series	e-Cronus 2B: With cylinder
Model Number	2: 2000(Keypad) / 4: 4000(RFID) / 5R: 5000-RF(WiFi) 5B: 5000-BLE(Bluetooth) / 6: 6000(Maxx Access System)
Lockbody	R: Rigid / C: Clutched / X: Automatic Deadbolt Series
Lever Style	S: Sentinel / Q: Quest / Or see TownSteel Catalog
Finish	622: US19, Flat Black / 626: US26D, Satin Chrome Or special color upon request
Cylinder	Any mortise cylinder can be used

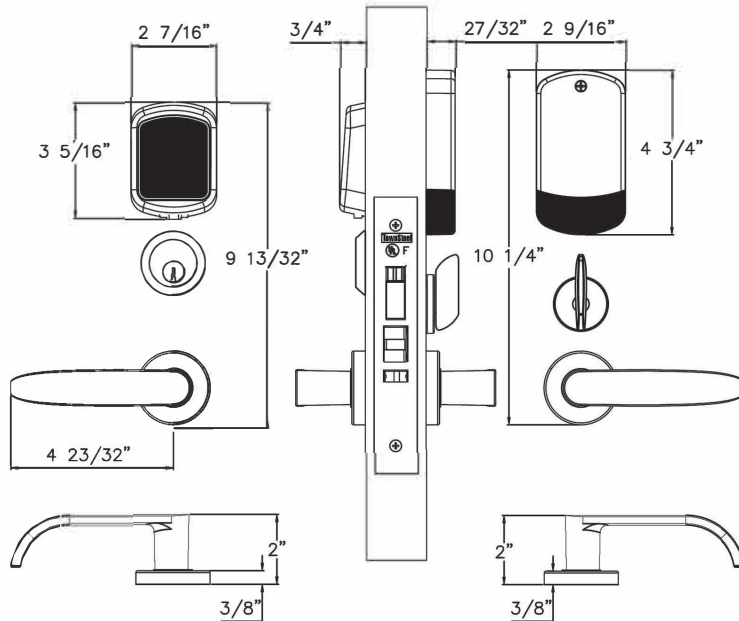
Model Number Lever Cylinder

ECR 2B6R - S LH 626 - SFIC7

Series Lockbody Finish



Profile



How To Order

Series	e-Cronus 2B: With cylinder
Model Number	2: 2000(Keypad) / 4: 4000(RFID) / 5R: 5000-RF(WiFi) 5B: 5000-BLE(Bluetooth) / 6: 6000(Maxx Access System)
Lockbody	R: Rigid / C: Clutched / X: Automatic Deadbolt Series
Lever Style	S: Sentinel / Q: Quest / Or see TownSteel Catalog
Finish	622: US19, Flat Black / 626: US26D, Satin Chrome Or special color upon request
Cylinder	Any mortise cylinder can be used

Model Number Lever Cylinder

ECR 2B 6 X -SLH 626 -SFIC 7

Series Lockbody Finish

Motorized Exit Device Trim

★ US PATENT: #10604963

Mechanical Specifications

- Push bar with electronic control
(Trim only. Exit push bar sold separately)
- Lever return less than 1/2"
(dependent upon lever selection)
- Backset: 2-3/4"
- Door thickness: 1-3/4", other upon request

Cylinder Specifications

- Schlage[®] C keyway, brass 6 pin cylinder standard
- SFIC, with or without core available, 6 or 7 pin core
- Schlage[®] LFIC less core, Corbin[®] LFIC less core available
- KD, KA, MK, GGMK, and construction keying available

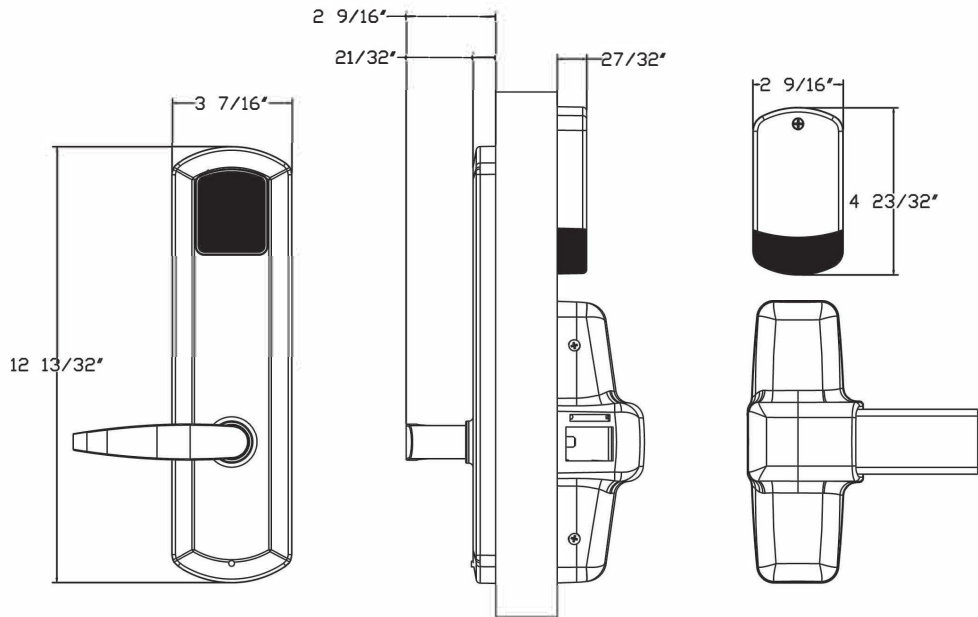


e-KESTROS 1A Series



Picture of exit push bar is for reference only. Works with most major exit bar manufacturers

Profile



How To Order

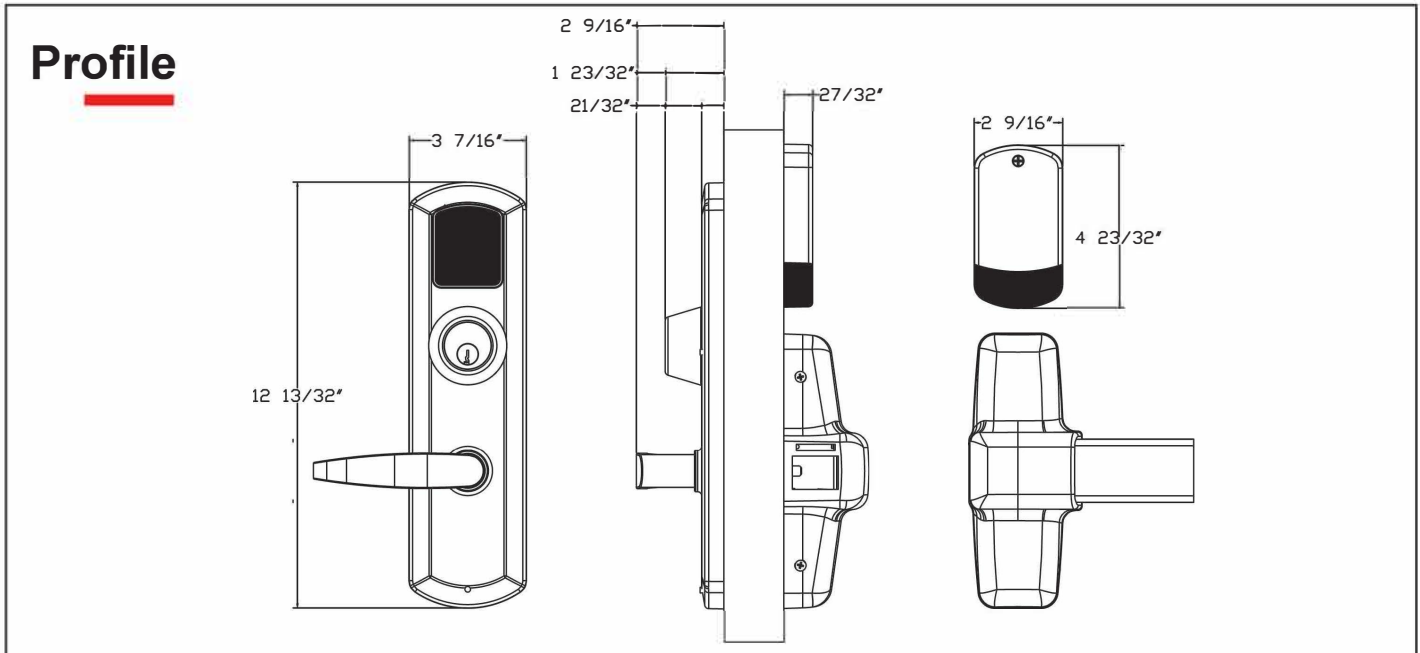
Series	e-Kestros 1A
Model Number	2: 2000(Keypad) / 4: 4000(RFID) / 5R: 5000-RF(WiFi) 5B: 5000-BLE(Bluetooth) / 6: 6000(Maxx Access System)
Exit Device Type	R: RIM / C: CVR / S: SVR / M: Mortise
Lever Style	S: Sentinel / Q: Quest / Or see TownSteel Catalog
Finish	622: US19, Flat Black / 626: US26D, Satin Chrome Or special color upon request
Cylinder	N/A

Model Number Lever
EKE1A **6** - **R** - **S** LHR **626**
 Exit Device Type Finish

e-KESTROS 1B Series



Picture of exit push bar is for reference only. Works with most major exit bar manufacturers



How To Order	
Series	e-Kestro 1B
Model Number	2: 2000(Keypad) / 4: 4000(RFID) / 5R: 5000-RF(WiFi) 5B: 5000-BLE(Bluetooth) / 6: 6000(Maxx Access System)
Exit Device Type	R: RIM / C: CVR / S: SVR / M: Mortise
Lever Style	S: Sentinel / Q: Quest / Or see TownSteel Catalog
Finish	622: US19, Flat Black / 626: US26D, Satin Chrome Or special color upon request
Cylinder	SC: KIK 6 Pin/ SFIC6/ SFIC7/ CLFIC/ SLFIC

Model Number Lever Cylinder

EKE1B 6 - R - S LHR 626 - SFIC7

Exit Device Type Finish

Smart Interconnected Lock

★ US PATENT: #10260253



Mechanical Specifications

- Door Thickness: 1-3/4"
- Backset: 2-3/8" - 2-3/4" adjustable
- Clutched trim
- Latchbolt: 1/2" throw stainless steel deadlocking
- Deadbolt: 1" stainless steel deadbolt
- Faceplates: 1" x 2-1/4" or 1-1/8" x 2-1/4"
- Latch Strike: Full lip with radius corners
- Deadbolt Strike: 1-1/8" x 2-3/4" radius corners with security underplate
- 4" or 5-1/2" deadbolt center to latchbolt center distance available
- Available Storeroom Function (always locked) or Entry Function (with Toggle passage)
- Multiple credentials available such as keypad, RFID and BLE. Offline or online, stand-alone or Maxx Access system

Available Lever Styles

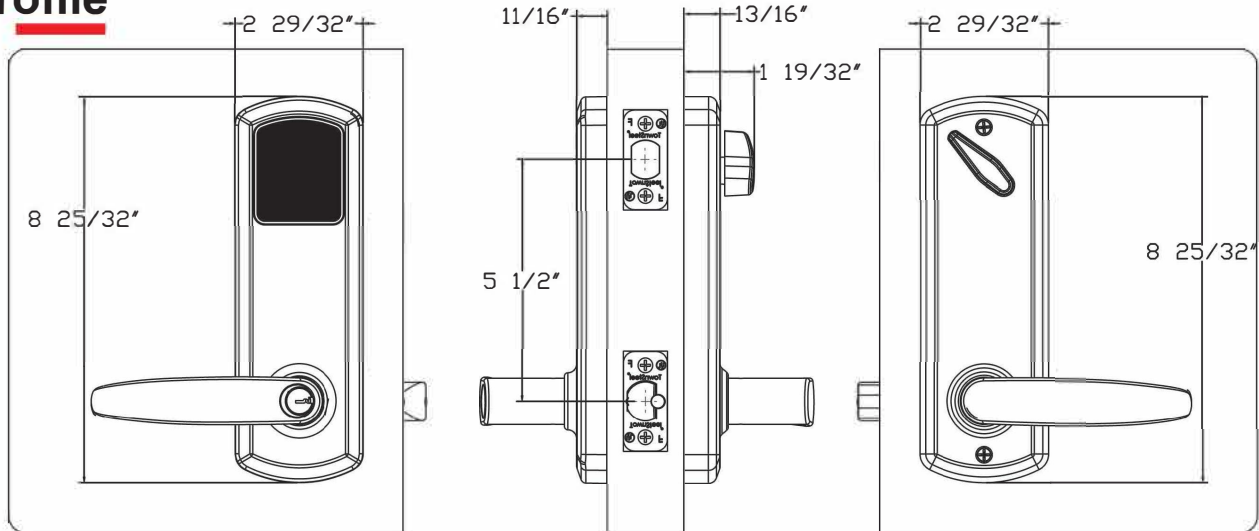


Code Compliance

- Americans with Disabilities Act
- EU RoHS Directive 2002/95/EC
- ANSI/BHMA A156.12 Grade 1 certified
- ANSI/BHMA A156.25 Meets Industry Standards
- UL 10C 3 Hour Rated
- FCC Part 15 certified



Profile



※ 55: 5.5" center-center (4" also available, please see next page)

How To Order

Series	e-Genius
Function	S: Storeroom / T: Entry (Toggle Function)
Lever Style	S: Sentinel / Q: Quest / W: Wolfsburg / WR: Wolfsburg R
Finish	619: US15, Satin Nickel / 622: US19, Flat Black 626: US26D, Satin Chrome / Or special color upon request
Faceplates	N: 1" x 2-1/4" / W: 1-1/8" X 2-1/4"
Cylinder	SC: 6 pin KIK Core, Schlage C Keyway HS: High Security SFIC core is also available. Please see Genius series for details.

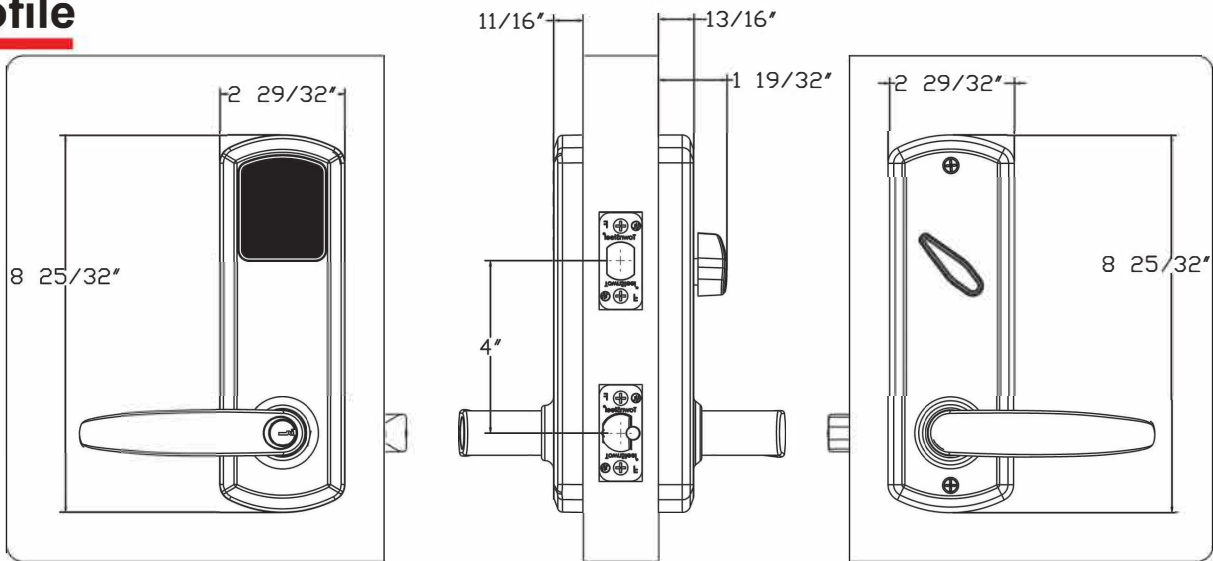
Model Number Lever Lockbody Cylinder

EG 6T T-SLH 626 - 55WSC

Function Finish Faceplates



Profile



※ 40: 4" center-center (5.5" also available, please see previous page)

How To Order

Series	e-Genius
Function	S: Storeroom / T: Entry (Toggle Function)
Lever Style	S: Sentinel / Q: Quest / W: Wolfsburg / WR: Wolfsburg R
Finish	619: US15, Satin Nickel / 622: US19, Flat Black 626: US26D, Satin Chrome / Or special color upon request
Faceplates	N: 1" x 2-1/4" / W: 1-1/8" X 2-1/4"
Cylinder	SC: 6 pin KIK Core, Schlage C Keyway HS: High Security SFIC core is also available. Please see Genius series for details.

Model Number Lever Lockbody Cylinder

EG 6 T T - S L H 6 2 6 - 5 5 W S C

Function Finish Faceplates

Motorized Cylindrical Lock

★ US PATENTS

8844330

9394722

9528300

9372542



Mechanical Specifications

- Door Thickness: 1-3/4"
- Backset: 2-3/4" standard, optional: 5", 2-3/8"
- Rigid or Clutched trim
- Latch Bolt: stainless steel, deadlocking, 1/2" throw
- Faceplate: 1-1/8" x 2-1/4"
- Strike: ASA strike standard, 1-1/4" x 4-7/8"
- Escutcheon: Steel or zinc alloy
- Lever: Zinc or stainless steel

Available Lever Styles



Sentinel(S)

Quest(Q)

Gala(G)

Wolfsburg(W)

Wolfsburg R(WR)

Cylinder Specifications

Key in lever option:

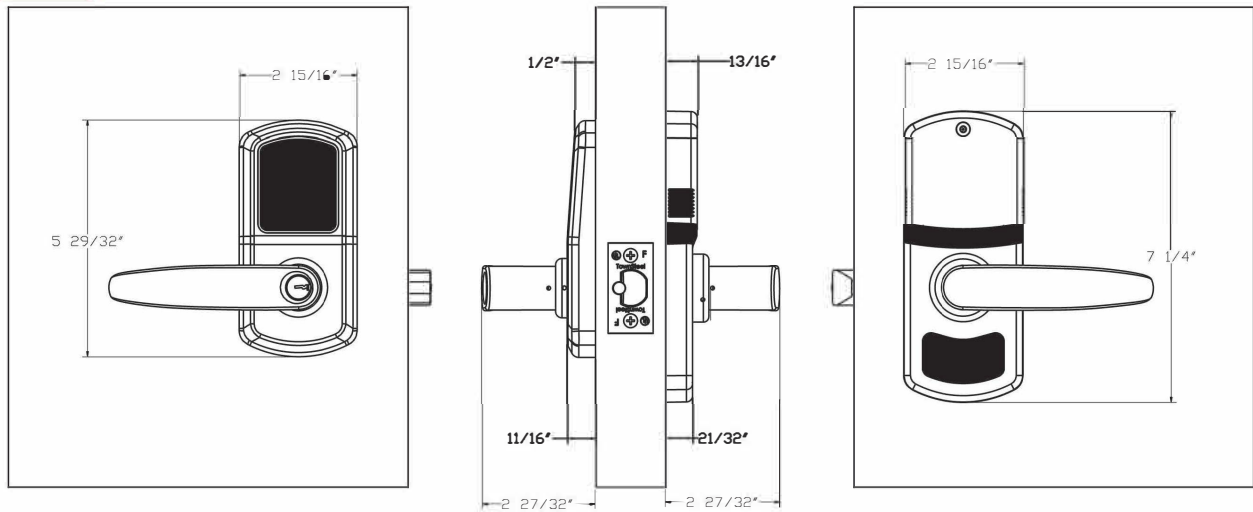
- **SC** Schlage® 6-pin with "C" keyway, standard
- **K6** Kwikset® 6-pin with "KW" keyway
- **HS6** High security 6-pin with TownSteel® "L" keyway
- **SF6** Best® 6-pin, IC core with "A" keyway
- **SF7** Best® 7-pin, IC core with "A" keyway
- **HS7** High security 7-pin, IC core with TownSteel® "L" keyway

Less cylinder option:

- **SF** Schlage® small format IC, SFIC
- **SLF** Schlage® large format IC, SLFIC
- **CLF** Corbin® large format IC, CLFIC



Profile



How To Order

Series	e-Elite 6000
Lockbody	1: Rigid / 2: Clutched
Lever Style	S: Sentinel / Q: Quest / G: Gala / W: Wolfsburg / WR: Wolfsburg R
Finish	619: US15, Satin Nickel / 622: US19, Flat Black 626: US26D, Satin Chrome Or special color upon request
Cylinder	SC(KIK 6 pin) / K6 / HS6 / SF6 / SF7 / HS7 / SF / SLF / CLF *KD standard, KA, MK, GMK, GGMK upon request
Backset	Blank: 2-3/4" / R: 2-3/8" / E: 5"

Lever Cylinder
 ↑ ↑
EE6 1 T-S LH 619-SC-R
 ↓ ↓ ↓
 Lockbody Finish Backset

Motorized Deadbolt

★ US PATENT: # 10400477



Mechanical Specifications

- Heavy duty motorized deadbolt lock
- Standard 161 door prep
- For door thickness 1-3/4"
- 1" x 2-1/4" faceplate, plated finish
- 1-1/8" x 2-3/4" strike
- 1" throw deadbolt, anti-saw pins, drive-in deadbolt available
- 2-3/8" and 2-3/4" backset adjustable
- Dummy trim available for inactive leaf of paired door
- Programmable at the lock or through an app
- For single residential homes or multi-housing facilities
- Illuminated touch keypad, RFID card, and mechanical key override
- Robust and unique motor design provides stronger, faster and more reliable gear drive

Cylinder Specifications

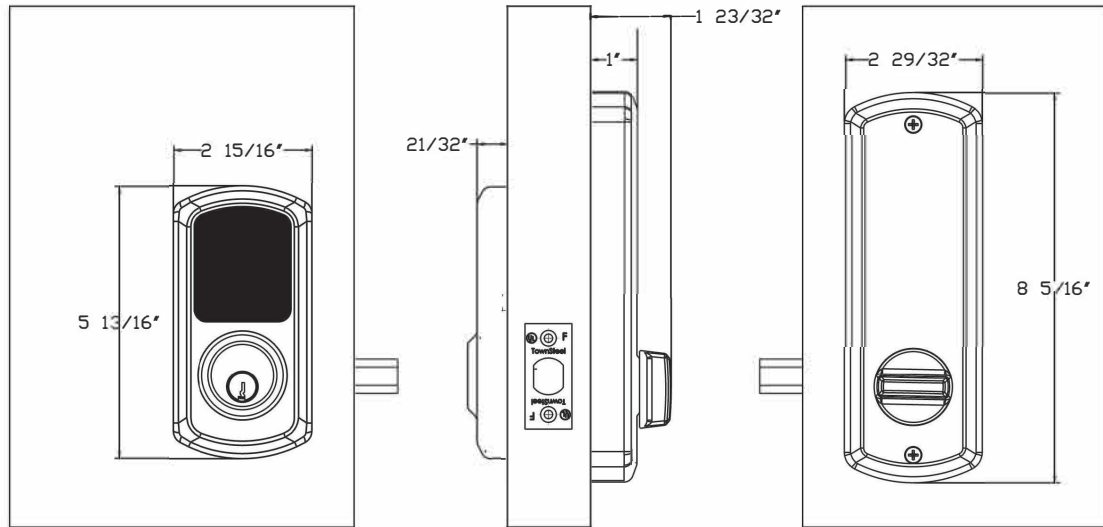
- 6 pin Schlage® C keyway, standard
- Small format IC (SFIC) with or without core
- Schlage® large format IC less core
- Corbin® 6 pin large format IC less core
- Optional high security cylinder, 2 nickel silver keys

Code Compliance

- Certified ANSI/BHMA A156.36, Grade 1 listed
- UL 10C 3 Hour Rated
- FCC Part 15 Certified



Profile



How To Order

Series	e-Smart 6000 e-Smart Dummy (ESDT)	<p>Series Cylinder</p> <p>↑ ↑</p> <p>ES6T-622-SC5</p> <p>↓</p> <p>Finish</p>
Finish	622: US19, Flat Black 626: US26D, Satin Chrome Special Finishes Upon Request	
Cylinder	SC(KIK): 5 or 6 pin / HS: High Security SFIC/LFIC with or without core: 6 or 7 pin	

Door Lock Programmer (DLP6)



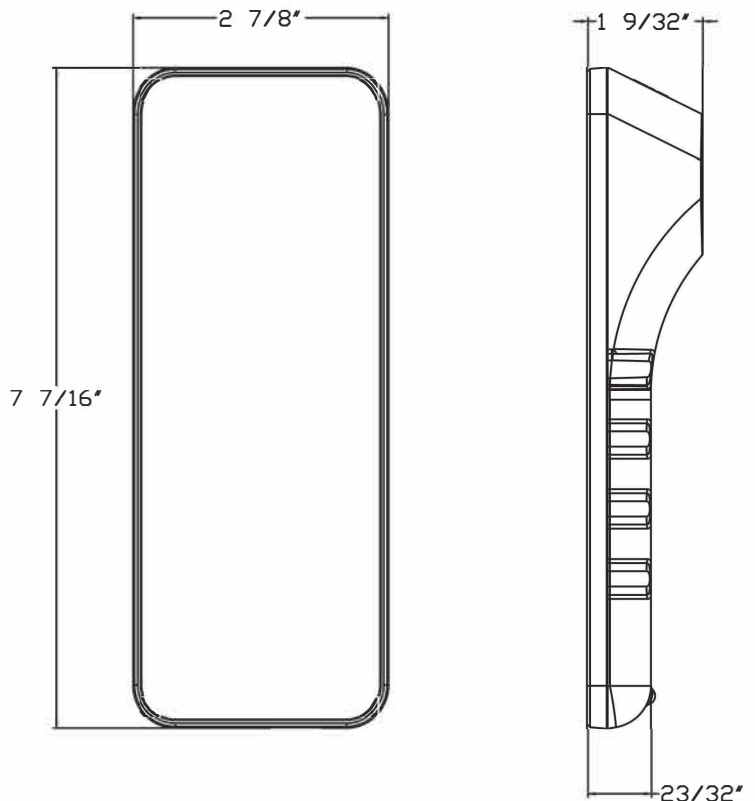
Features

- USB Interface
- 1 LED and sound indicators
- Supports Windows XP, Windows 7, Windows 8.x; and Windows 10
- Working frequency: 13.56 MHz
- Power supply: 5VDC (2xA Alkaline Batteries)
- Working current: <100mA
- Standby current: <10uA

Materials and Finish

The housing is made of ABS and has a black finish

Profile



Keycard Programmer (KPS6)



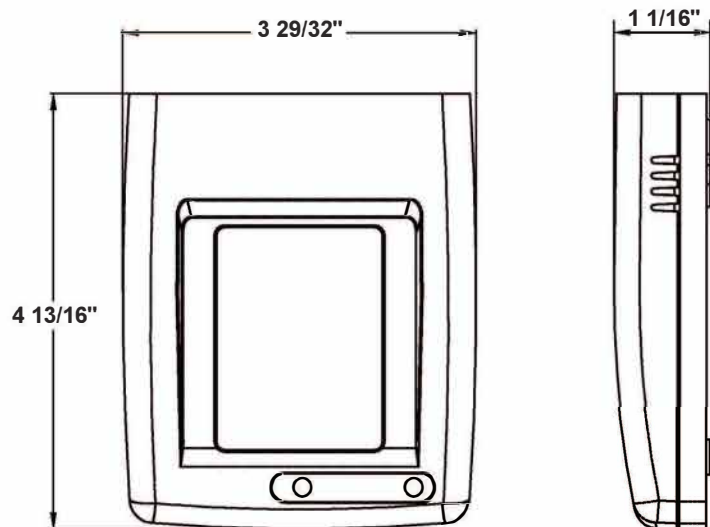
Features

- Mifare technology
- USB Interface
- 2 LED and sound indicators
- Supports Windows XP, Windows 7, Windows 8.x; and Windows 10
- Working frequency: 13.56 MHz
- Power supply: 5VDC USB power
- Working current: 120 mA

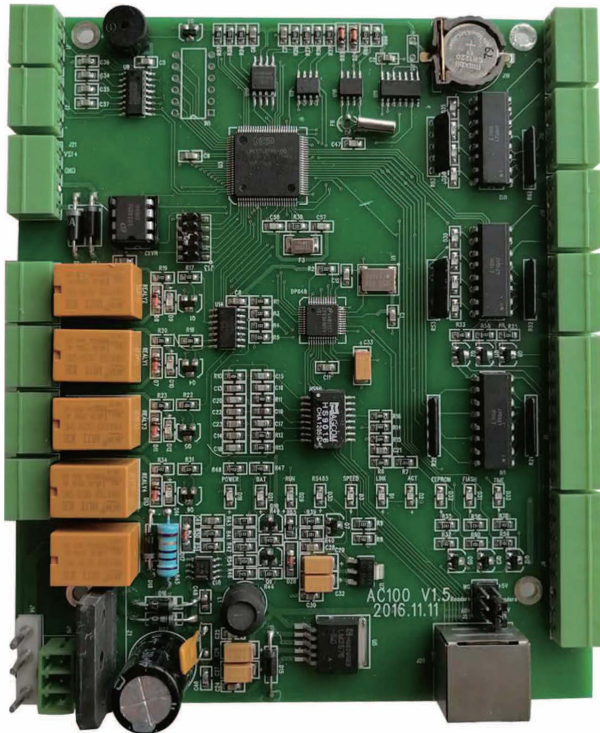
Materials and Finish

The housing is made of ABS and has a black finish

Profile

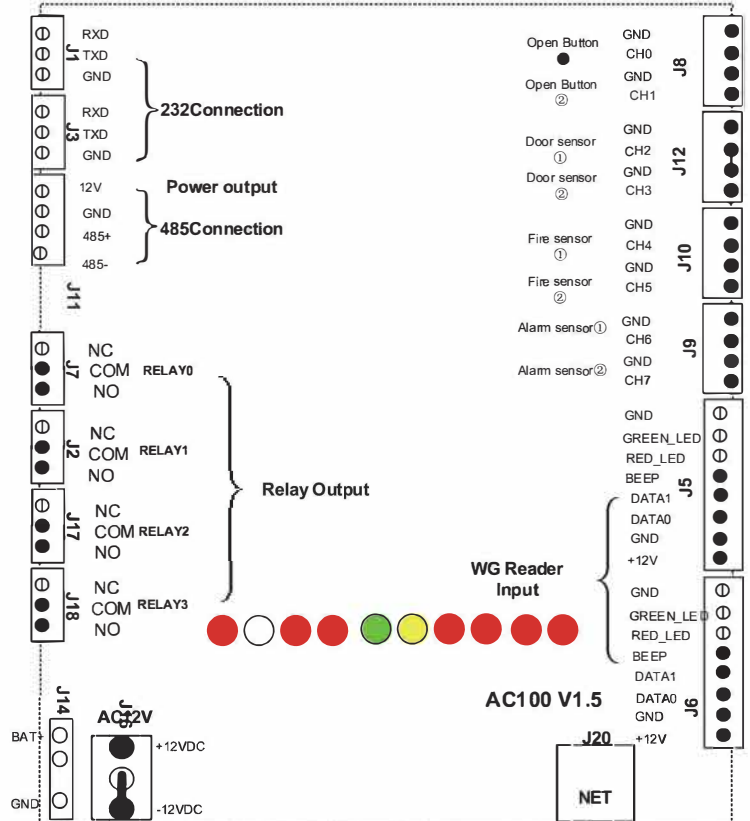


4 Doors Access Control (AC4)

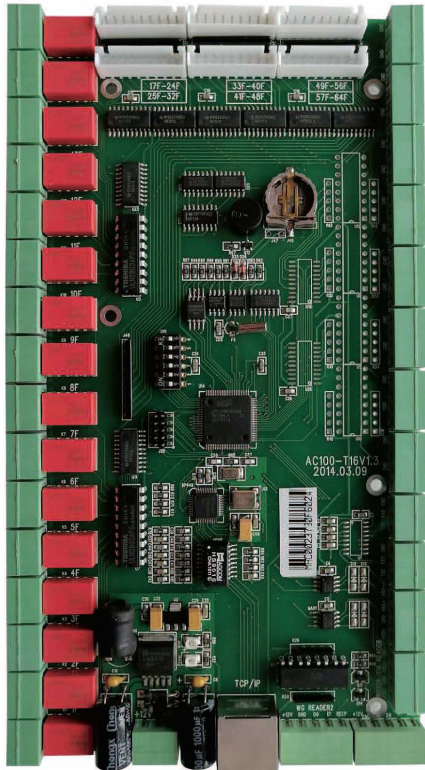


Features

- Based on TCP/IP communication
- 1 RS485 reader interface, supports maximum of 4 RS485 readers
- 2 Wiegand reader interfaces (W26/34/66)
- 1 RS232
- 8 TTL signal inputs
- 4 relay outputs
- Maximum users: 25,000
- Maximum events records: 100,000
- Supports 16 groups, 8 time zones, and weekdays
- Supports holiday time zones
- Remote control
- Power supply: 12 VDC/VAC

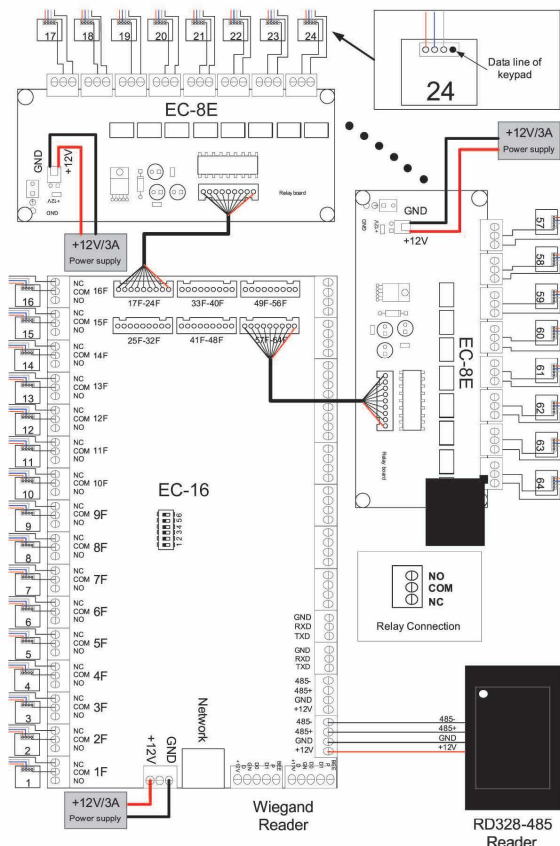


Elevator Control (EC16)



Features

- Based on TCP/IP communication
- 1 RS485 reader interface
- 1 RS485 extension interface
- 2 wiegand reader interfaces (W26/34/66)
- 1 RS232 optional
- 16 relays on board and 6 extension ports up to 64 relays extendable with 8 Floors extension boards (EC-8E)
- Max. users: 25,000
- Max. events records: 100,000
- Supports 16 groups, 8 time zones
- Power supply: 12 VDC/VAC



Readers

Features

- Mifare technology, 13.56 MHz
- Reading range: 0-40mm
- Induction speed: $\leq 0.1s$
- Indicator light: 3 color LED · (red, green, yellow) RS485 interface
- Power supply: 10-30VDC, 50mA
- Storage temperature: $-40^{\circ}\text{C} \sim +60^{\circ}\text{C}$
- Connection cable: RVV4, L = 1.5m



RD400-485



RD328-485



RD100-485



RCR-C



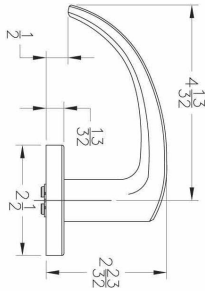
RCR-T1



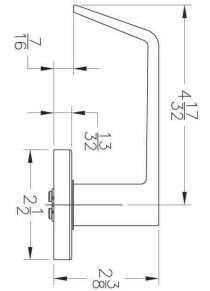
RCR-T2



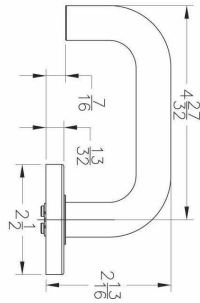
Quest



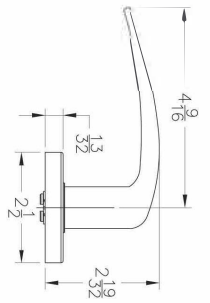
Sentinel



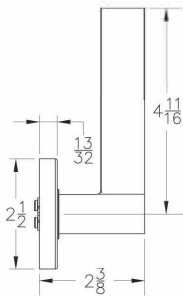
Tango



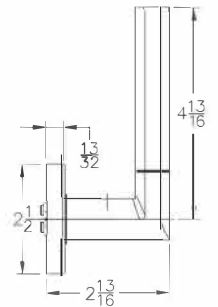
Gala



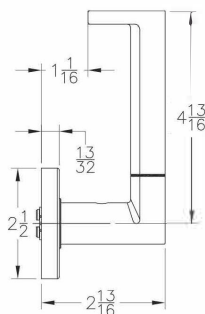
Dublin



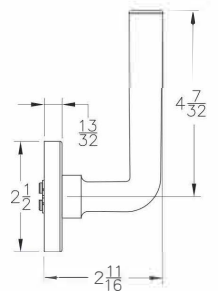
Cork-X



Cork

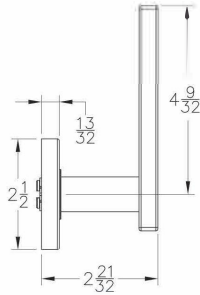


Verona

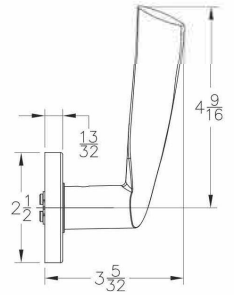




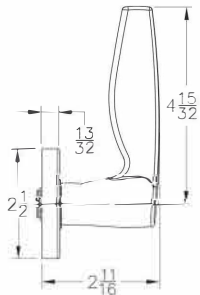
Lynx



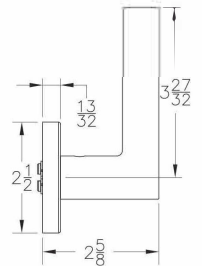
Katie



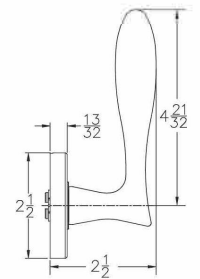
Wales



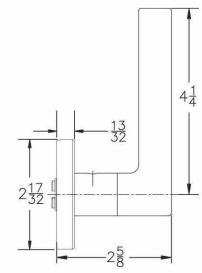
Essen



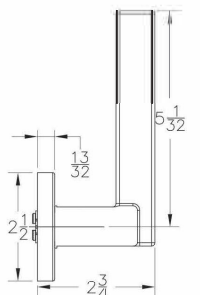
Oswego



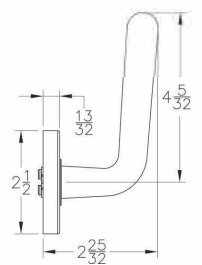
Napier



Vienna



Sydney





TownSteel[®]
Architectural Hardware MFG

PRODUCT CATALOG

MORTISE LOCKS

B

MORTISE LOCKS

Subindex

- | | | | |
|----|--|----|---|
| 1 | e-KONTOS
e-Kontos Series Mortise Locks | 49 | e-ALL-2000
Mortise Retrofit Trim Kit with Keypad |
| 2 | e-CRONUS
e-Cronus Series Mortise Locks | 50 | e-ALL-9000
Mortise Retrofit Trim Kit with Keypad and Remote Lockdown Unit |
| 3 | FME-2000 & XME-2000
Standalone Electronic Lock Series | 51 | e-ALL-4000 / e-ALL-5000
Mortise Retrofit Trim Kit with RFID Keycard |
| 4 | FME-4000 & XME-9000
School Lockdown Electronic Lock Series | 52 | e-ALL-4200
Mortise Retrofit Trim Kit with RFID Keycard and Remote Lockdown Unit |
| 9 | MS Commercial Locks | 53 | RMU
Retrofit Trim Kit for Cast Iron Mortise Chassis |
| 13 | Designer Lockset | 54 | RMT REJUVENATOR ESCUTCHEON TRIM
Retrofit Trim Kit for Through-Bolt Mounting Mortise Chassis |
| 18 | Tubular Lock Specifications | 55 | RMS REJUVENATOR SECTIONAL TRIM
Retrofit Trim Kit for Through- Bolt Mounting Mortise Chassis |
| 19 | Mortise Lock Specifications | 56 | RMF
Retrofit Trim Kit for Cast Iron Mortise Chassis |
| 20 | Ordering Form | 57 | RC
Corbin® Mortise Retrofit Kit |
| 22 | Function Sheet | 58 | RB
Best® Mortise Retrofit Kit |
| 27 | Levers and Knob (Commercial) | 59 | Function Sheet |
| 28 | Levers and Knobs (Designer) | | |
| 34 | Thumb Turns (Designer & Commercial) | | |
| 35 | Levers (Designer) and Thumb Turns | | |
| 40 | MS Series Electrified Mortise Lock | | |
| 42 | MS Series Electrified Mortise Lock Functions | | |
| 45 | Status Indicator | | |
| 47 | Privacy Indicator | | |

e-KONTOS

e-Kontos Series Mortise Locks



US Patented



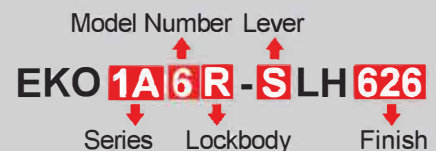
ANSI/BHMA Certified Grade 1 Smart Motorized Mortise Lock

Series	e-KONTOS 5000 BLE (Bluetooth) or RF (WiFi), 6000
Lockbody	Clutched, Rigid or XADB
Levers	Sentinel or Quest, others upon request
Finish	622 (US19) and 626 (US26D), others upon request
Cylinder	SC (Schlage C keyway), SFIC / SLFIC / CLFIC with/without core, or high security
ANSI/BHMA A156.13	Grade 1 certified
ANSI/BHMA A156.25	Meets Industry Standards
UL/ULC	UL10C 3-hour rated
BAA	Meets guidelines of the Buy American Act
FCC	FCC Part 15 certified



How To Order

Series	e-Kontos 1A: No cylinder; e-Kontos 1B: With cylinder
Model Number	5R: 5000-RF(WiFi) / 5B: 5000-BLE(Bluetooth) 6: 6000(Maxx Access System)
Lockbody	R: Rigid / C: Clutched / X: Automatic Deadbolt Series
Lever Style	S: Sentinel / Q: Quest / Or see TownSteel Catalog
Finish	622: US19, Flat Black / 626: US26D, Satin Chrome Or special color upon request
Cylinder	Any mortise cylinder can be used



e-CRONUS

e-Cronus Series Mortise Locks



US Patented



e-CRONUS 1 Series

e-CRONUS 2 Series



ANSI/BHMA Certified Grade 1 Smart Motorized Mortise Lock

Series	e-Cronus 2000, 4000, 5000 BLE (Bluetooth) or RF (WiFi), 6000
Lockbody	Clutched, Rigid or XADB
Finish	622 (US19) and 626 (US26D), others upon request
Cylinder	SC (Schlage C keyway), SFIC / SLFIC / CLFIC with/without core, or high security
ANSI/BHMA A156.13	Grade 1 certified
ANSI/BHMA A156.25	Meets Industry Standards
UL/ULC	UL10C 3-hour rated
BAA	Meets guidelines of the Buy American Act
FCC	FCC Part 15 certified



How To Order

Series	e-Cronus 1A/2A: No cylinder; e-Cronus 1B/2B: With cylinder
Model Number	2: 2000 (Keypad) / 4: 4000 (RFID) 5R: 5000-RF(WiFi) / 5B: 5000-BLE(Bluetooth) 6: 6000(Maxx Access System)
Lockbody	R: Rigid / C: Clutched / X: Automatic Deadbolt Series
Lever Style	S: Sentinel / Q: Quest / Or see TownSteel Catalog
Finish	622: US19, Flat Black / 626: US26D, Satin Chrome Or special color upon request
Cylinder	Any mortise cylinder can be used



FME-2000 & XME-2000

Standalone Electronic Lock Series



US Patented



FME 2000

RFID



XME 2000

KEYPAD

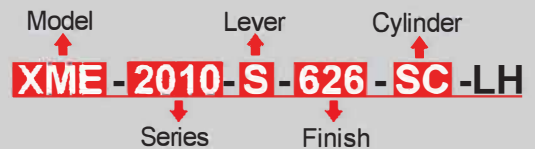
ANSI/BHMA Certified Grade 1 Mortise Lock

- Finish** 622 (US19), 626 (US26D), others upon request
- Cylinder** SC (Schlage C keyway), SFIC / SLFIC / CLFIC with/without core, or high security
- ANSI/BHMA A156.13** Grade 1 certified
- ANSI/BHMA A156.25** Meets Industry Standards
- UL/ULC** UL10C 3-hour rated
- BAA** Meets guidelines of the Buy American Act
- FCC** FCC Part 15 certified



How To Order

Model	XME: Keypad FME: RFID
Series	2010: Rigid 2020: Clutched 2030: High Security Cylinder, Rigid 2040: High Security Cylinder, Clutched 2050: Rigid, with Deadbolt 2060: Clutched, with Deadbolt 2070: Rigid, High Security Cylinder, with Deadbolt 2080: Clutched, High Security Cylinder, with Deadbolt
Lever Style	S: Sentinel / Q: Quest / Or see TownSteel Catalog
Finish	622: US19, Flat Black / 626: US26D, Satin Chrome Or special color upon request
Cylinder	Specify when ordering, any mortise cylinder can be used



FME-4000 & XME-9000

School Lockdown Electronic Lock Series



ANSI/BHMA Certified Grade 1 School Lockdown Mortise Lock

- Finish** 622 (US19), 626 (US26D), others upon request
- Cylinder** SC (Schlage C keyway), SFIC / SLFIC / CLFIC with/without core, or high security
- ANSI/BHMA A156.13** Grade 1 certified
- ANSI/BHMA A156.25** Meets Industry Standards
- UL/ULC** UL 10C 3-hour rated
- BAA** Meets guidelines of the Buy American Act
- FCC** FCC Part 15 certified



How To Order	
Model	XME: Keypad FME: RFID
Series	XME-9010: Rigid XME-9020: Clutched XME-9030: High Security Cylinder, Rigid XME-9040: High Security Cylinder, Clutched FME-4010: Rigid FME-4020: Clutched FME-4030: High Security Cylinder, Rigid FME-4040: High Security Cylinder, Clutched
Lever Style	S: Sentinel / Q: Quest / Or see TownSteel Catalog
Finish	622: US19, Flat Black / 626: US26D, Satin Chrome Or special color upon request
Cylinder	Specify when ordering, any mortise cylinder can be used

Model Lever Cylinder

XME - 9010 - S - 626 - SC - LH

Series Finish

Electronic Mortise Locks Gallery – e-KONTOS Series



Electronic Mortise Locks Gallery – e-Cronus series



** for more information on digital locks, visit www.townsteel.com

Electronic Mortise Locks Gallery – FME-4000



Electronic Mortise Locks Gallery – XME-9000



** for more information on digital locks, visit www.townsteel.com

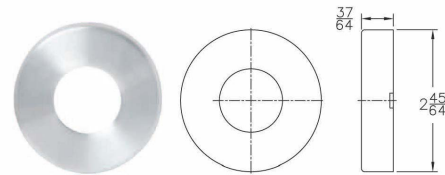
MS Commercial Locks

Mortise locks



MSS-R

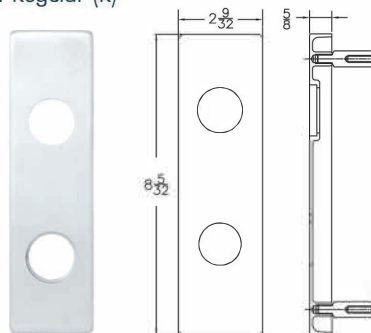
- Available Levers/Knob: Sentinel (S), Gala (G), Imperial (I), Quest (Q), Artistic (A), Congress (C), Tango (T), Regal (R)
- Available Finishes: US3, US4, US15, US19, US26, US26D, US32, US32D
- Sectional Rose Style: Regular (R)



Regular (R) Rose
W/ Sentinel (S) Lever

MSE-R

- Available Levers/Knob: Sentinel (S), Gala (G), Imperial (I), Quest (Q), Artistic (A), Congress (C), Tango (T), Regal (R)
- Available Finishes: US3, US4, US15, US19, US26, US26D, US32, US32D
- Escutcheon Style: Regular (R)



Regular (R) Escutcheon
W/ Tango (T) Lever

MS Commercial Locks

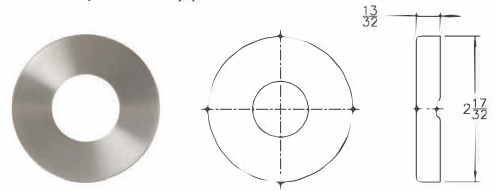
Mortise locks



Low (L) Rose
W/Sentinel (S) Lever

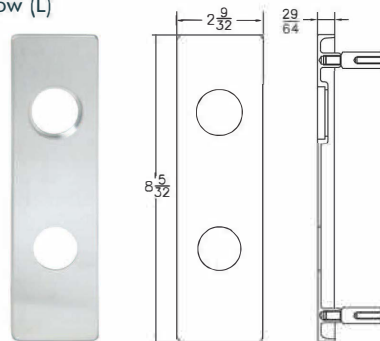
MSS-L

- Available Levers/Knob: Sentinel (S), Gala (G), Imperial (I), Quest (Q), Artistic (A), Congress (C), Tango (T), Regal (R)
- Available Finishes: US3, US4, US15, US19, US26, US26D, US32, US32D
- Sectional Rose Style: Low (L)



MSE-L

- Available Levers/Knob: Sentinel (S), Gala (G), Imperial (I), Quest (Q), Artistic (A), Congress (C), Tango (T), Regal (R)
- Available Finishes: US3, US4, US15, US19, US26, US26D, US32, US32D
- Escutcheon Style: Low (L)



Low (L) Escutcheon
W/Sentinel (S) Lever

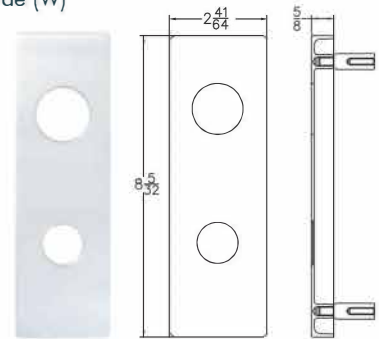
MS Commercial Locks

Mortise locks



MSE-W

- Available Levers/Knob: Sentinel (S), Gala (G), Imperial (I), Quest (Q), Artistic (A), Congress (C), Tango (T), Regal (R)
- Available Finishes: US3, US4, US15, US19, US26, US26D, US32, US32D
- Escutcheon Style: Wide (W)

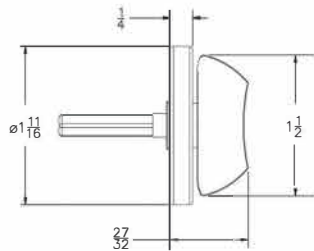


Wide (W) Escutcheon
W/ Imperial (I) Lever

Standard Thumb Turn



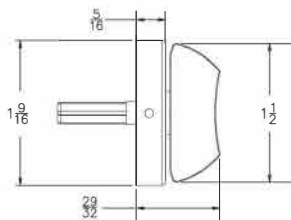
Classic Visible



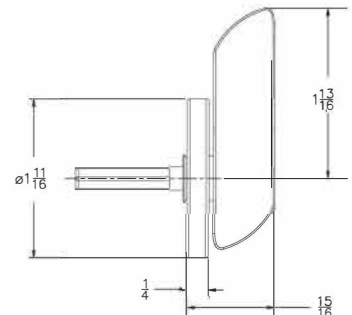
Optional Thumb Turn



Classic Concealed



ADA



MS Commercial Locks



Mortise locks

Features

- ANSI Grade 1 Heavy-Duty Mortise Lock
- Door Thickness: 1 3/4" Standard, Other Door Thickness available upon request.
- Backset 2 3/4"
- Armored Front Plate
- Stainless Steel Deadbolt with 1" Throw Anti-Saw Deadbolts with Hardened Pins
- Stainless Steel Latchbolt
- Tamper Proof Cylinder Collar
- Rocker Type Stop Works, Stainless Steel
- Dust Box Included
- Lead line plate available
- Handing is Field Reversible
- Available In 8 BHMA Finishes
- Keyway-Schlage C (standard), other upon request
- Brass Mortise Cylinder, 2 keys Per Cylinder
- Small Format Interchangeable Core Available, 6 or 7pin core
- High Security Mortise Cylinder Available
- High Security SFIC Core Available
- Master Keying, Grand Master Keying or Great Grand Master Keying Available
- UL Listed 3-Hour Fire Rating
- 10-year Manufacturer's Limited Warranty

Specifications

Mortise Lock- Sectional or Escutcheon models and series.
ANSI Grade 1

Standard Finishes

US3(605)	US4(606)	US15(619)	US19(622)	US26(625)	US26D(626)	US32(629)	US32D(630)
Bright Brass	Satin Brass	Satin Nickel	Flat Black	Bright Chrome	Satin Chrome	Bright SST	Satin SST

Note: For other finishes, please consult factory

Code Compliance

ANSI A-156.13-2012 Certified
ADA Barrier Free Accessibility on All Lever Designs
UL Listed 3-Hour Fire Rating



Options

- Strike- Brass or Stainless Steel, 1 1/4" x 4 7/8". Lipped ANSI strike
- Many other lever designs available, consult TownSteel for more information
- Clutching Mortise



Clutching Features

- Mortise Lock with Clutching mechanism
- Levers rotate up and down freely in the unlocked or locked positions
- Certified ANSI/BHMA A156.13 Grade 1
- UL listed 3-hour fire rating
- Handing field reversible
- Patented Design

How To Order

1. Trim Series	MSS-R (Sectional Regular) MSS-L (Sectional Low) MSE-R (Escutcheon Regular) MSE-L (Escutcheon Low) MSE-W (Escutcheon Wide)	Order # Example: <u>MSS-R-04-Gala-626-RH-IC</u> 1. Sectional Regular _____ MSS-R 2. Office Function _____ 04 3. Gala Lever _____ Gala 4. Satin Chrome _____ 626 5. Right Handed _____ RH 6. Interchangeable Core(Optional) _____ IC
2. Function	See Mortise Function Sheet	
3. Lever	See Lever Listing	
4. Finish	See Finish Listing	
5. Handing	RH LH RHR LHR	

MS Designer Lockset

Mortise locks



DESIGNER WITH SQUARE (S) Rose



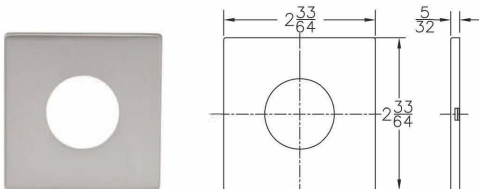
Square (S) Rose
W/ DeLano Lever

DESIGNER WITH VINTAGE (V) Rose



Vintage (V) Rose
W/ Brighton Lever

Square (S)



- **Available Levers/Knobs:**
Refer to lever section for more options
- **Sectional Rose Styles:**
Square (S)

• **Available Finishes:**



- Available on Tubular and Mortise Lockset

Vintage (V)



- **Available Levers/Knobs:**
Refer to lever section for more options
- **Sectional Rose Styles:**
Vintage (V)

• **Available Finishes:**



- Available on Tubular and Mortise Lockset

MS Designer Lockset

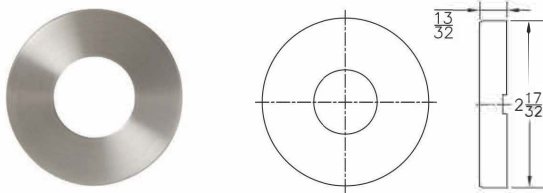
Mortise locks



DESIGNER WITH LOW (L) Rose



Low (L)



- **Available Levers/Knobs:**
Refer to lever section for more options
- **Sectional Rose Styles:**
Low (L)
- **Available Finishes:**

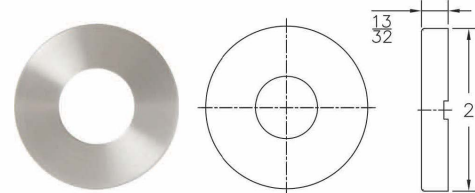


- Available on Tubular and Mortise Lockset

DESIGNER WITH LS (LS) Rose



LS (LS)



- **Available Levers/Knobs:**
Refer to lever section for more options
- **Sectional Rose Styles:**
LS (LS)
- **Available Finishes:**



- Available on Tubular and Mortise Lockset

MS Designer Lockset

Mortise locks



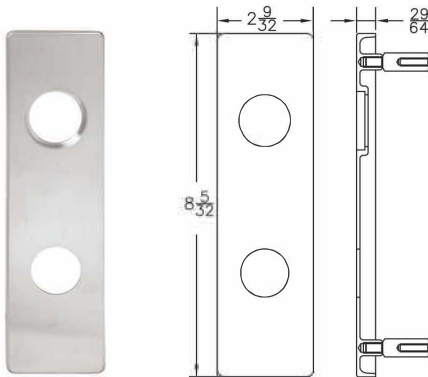
DESIGNER WITH LOW (L) Escutcheon



DESIGNER WITH FLAT (F) Escutcheon



Low (L)



- Available Levers/Knobs:
Refer to lever section for more options

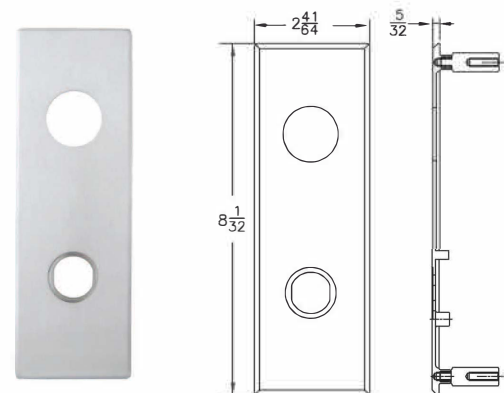
- Escutcheon Styles:
Low (L)

- Available Finishes:



- Available on Mortise Lockset

Flat (F)



- Available Levers/Knobs:
Refer to lever section for more options

- Escutcheon Styles:
Flat (F)

- Available Finishes:



- Available on Mortise Lockset

MS Designer Lockset

Mortise locks

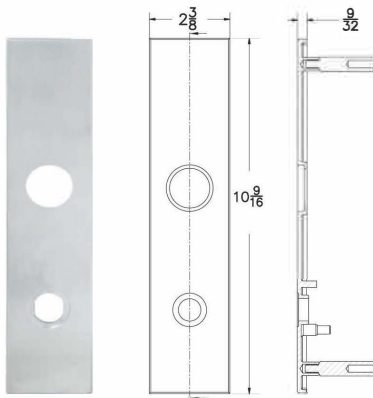


DESIGNER WITH CUBE (C) Escutcheon



Cube (C) Escutcheon
W/ Verona Lever

Cube (C)



- **Available Levers/Knobs:**
Refer to lever section for more options
- **Escutcheon Styles:**
Cube (C)
- **Available Finishes:**



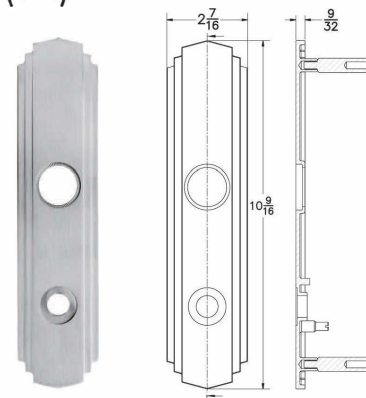
- Available on Mortise Lockset

DESIGNER WITH ART DECO (AD) Escutcheon



Art Deco (AD) Escutcheon
W/ Latvia Lever

Art Deco (AD)



- **Available Levers/Knobs:**
Refer to lever section for more options
- **Escutcheon Styles:**
Art Deco (AD)
- **Available Finishes:**



- Available on Mortise Lockset

MS Designer Lockset

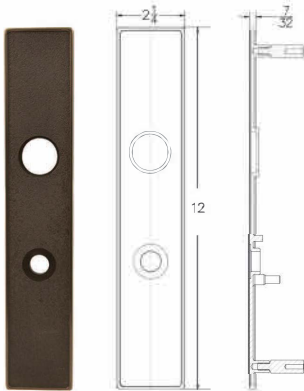
Mortise locks



DESIGNER WITH N (N) Escutcheon



N (N)



- **Available Levers/Knobs:**
Refer to lever section for more options

- **Escutcheon Styles:**
N (N)

- **Available Finishes:**



- Available on Mortise Lockset

MS Designer Lockset

Tubular Lock Specifications



Features

- 2-3/4" Backset standard, 1-1/8"x 2-1/4" Latch face plate
- Standard strike 1-1/8" x 2-3/4" "T" Strike
- Available In 8 BHMA Finishes
- Standard functions
 - Passage (TLL)
 - Privacy (TLP)
 - Dummy Single (TDS)
 - Dummy Pair (TDP)
 - Exit (TLE)
- Emergency Release- Lock will automatically unlock when the door is closed.

Specifications

TownSteel model series. Lever shall be solid brass, stainless steel or custom designed. Rose assembly shall be made from wrought metal.

Options

- ANSI 1-1/4" X 4-7/8" Strike available
- Also available in 2-3/8" Backset
- Other custom designs available upon request
- Heavy duty fire rated tubular latch available upon request

Code Compliance

ADA Barrier Free Accessibility on All Lever Designs
UL: UL 90 minutes listed



MS Designer Lockset

Mortise Lock Specifications



Features

- ANSI Grade 1 Heavy-Duty Mortise Lock
- Door Thickness: 1³/₄" Standard, Other Door Thickness available upon request.
- Backset 2 ³/₄"
- Armored Front Plate
- Stainless Steel Deadbolt with 1" Throw Anti-Saw Deadbolts with Hardened Pins
- Stainless Steel Latchbolt
- Tamper Proof Cylinder Collar
- Rocker Type Stop Works, Stainless Steel
- Handing is Field Reversible
- Available In 8 BHMA Finishes
- Keyway-Schlage C (standard), other upon request
- Brass Mortise Cylinder, 2 keys Per Cylinder
- Small Format Interchangeable Core Available, 6 or 7 pin core
- High Security Mortise Cylinder Available
- High Security SFIC Core Available
- Master Keying, Grand Master Keying or Great Grand Master Keying Available
- UL Listed 3-Hour Fire Rating
- 10-year Manufacturer's Limited Warranty

Specifications

Mortise Lock- Sectional or Escutcheon models and series. ANSI Grade 1

Code Compliance

ANSI A-156.13-2012 Certified
ADA Barrier Free Accessibility on All Lever Designs
UL Listed 3-Hour Fire Rating



Options

- Strike- Brass or Stainless Steel, 1 1/4" x 4 7/8". Lipped ANSI strike
- Many other lever designs available, consult TownSteel for more information
- Clutching Mortise



Clutching Features

- Mortise Lock with Clutching mechanism
- Levers rotate up and down freely in the locked or unlocked positions
- Meet ANSI A156.13 Grade 1 requirements
- UL listed 3-hour fire rating
- Handing field reversible
- Patent pending

MS Designer Lockset

Ordering Form



Tubular Ordering Form

How To Order	
1.Trim Series	TLL (Passage) TLP (Privacy) TDS (Dummy Single) TDP (Dummy Pair) TLE (Exit)
2.Rose	L (Low), LS (LS), S (Square), V (Vintage)
3.Backset	2-3/8", 2-3/4"
4.Lever	See Lever Listing
5.Finish	See Finish Listing

Order # Example:

TLL-L-2-3/4"-Oslo-626

1. Passage	_____	TLL
2. Trims	_____	Low
3. Backset	_____	2-3/4"
4. Oslo Lever	_____	Oslo
5. Satin Chrome	_____	626

Mortise Ordering Form

How To Order	
1.Trim Series	MSS-L (Sectional Low) MSS-LS (Sectional LS) MSS-S (Sectional Square) MSS-V (Sectional Vintage) MSE-AD (Escutcheon Art Deco) MSE-C (Escutcheon Cube) MSE-F (Escutcheon Flat) MSE-L (Escutcheon Low) MSE-N (Escutcheon N)
2.Function	See Mortise Function Sheet
3.Lever	See Lever Listing
4.Finish	See Finish Listing
5.Handing	RH LH RHR LHR
6.Lead Lined	Supplied with Lead plate

Order # Example:

MSS-S-04-Oporto-626-RH-LL-IC

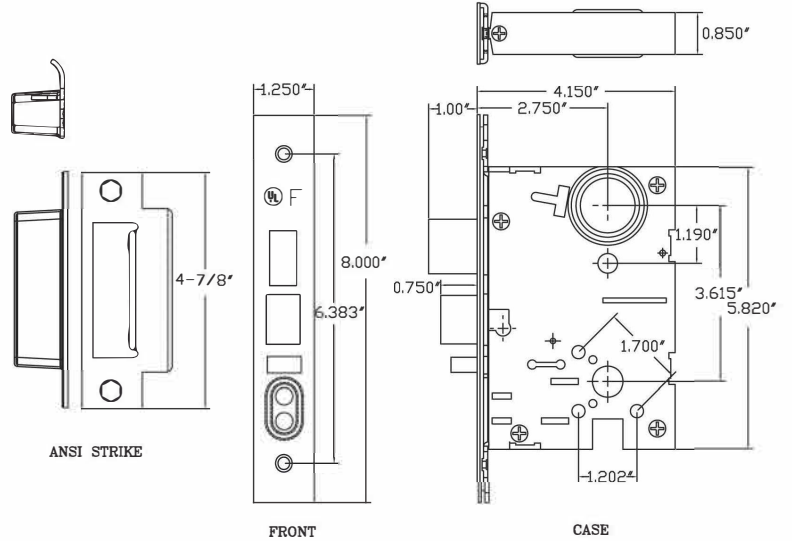
1. Sectional Square	_____	MSS-S
2. Office Function	_____	04
3. Oporto Lever	_____	Oporto
4. Satin Chrome	_____	626
5. Right Handed	_____	RH
6. Lead Line (Optional)	_____	LL
7. Interchangeable Core(Optional)	_____	IC

MS Commercial & Designer Locks

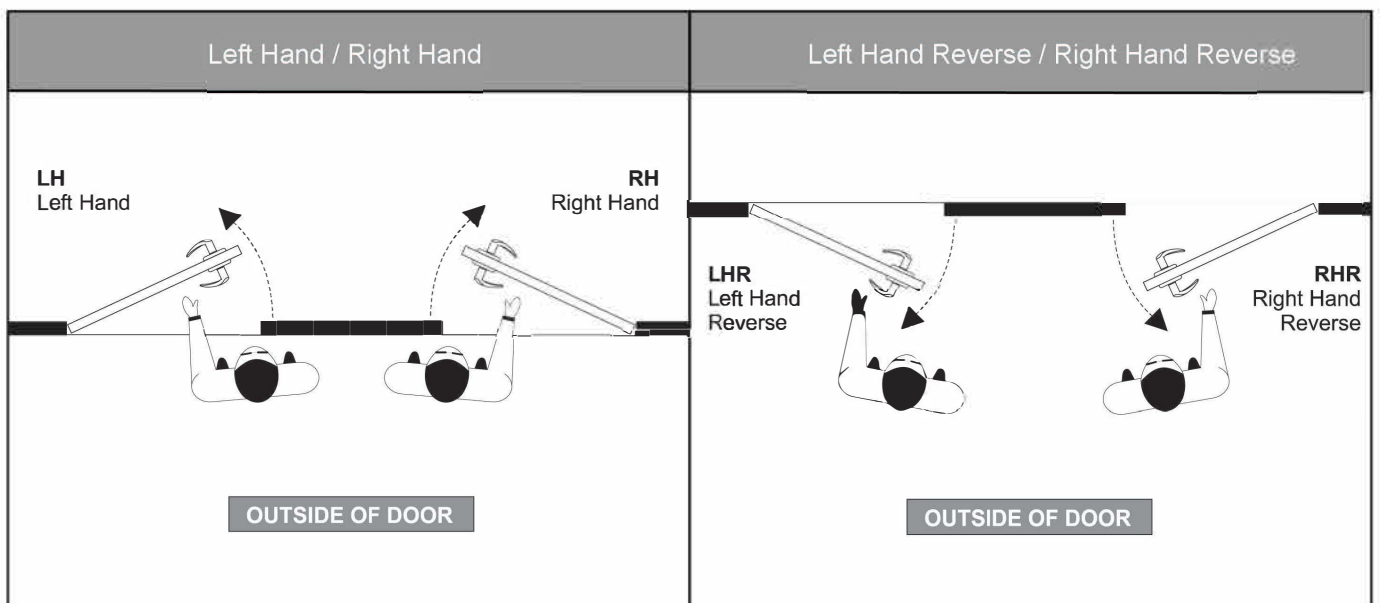
Mortise Lock



MS Series Mortise Lock Profile

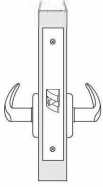
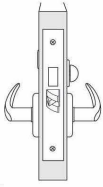
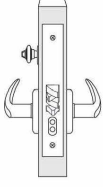
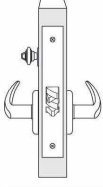
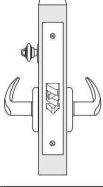
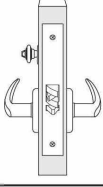
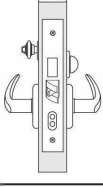
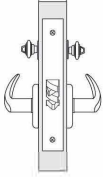


Handing



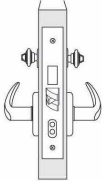
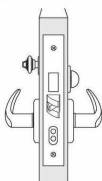
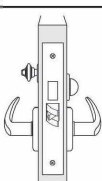
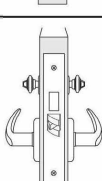
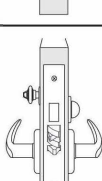
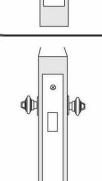

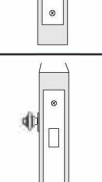
MS Series Mortise Lock with Regular/ Clutched Mortise Chassis

※In clutched mechanism, levers rotate up and down freely in the locked or unlocked position

Functions					
Outside	Inside	Series/ Function	Type	ANSI No.	Function Description
		MSS-01 MSE-01	Passage or Closet	F01	Latch bolt operated by lever from either side at all times.
		MSS-02 MSE-02	Privacy or Bathroom	F02	Latch bolt operated by lever from either side. Dead bolt operated by turn from inside and emergency release from outside.
		MSS-04 MSE-04	Entry/ Office	F04	Latch bolt operated by lever from either side, except when outside lever is made inoperative by a push button rocker. When outside lever is locked, latch bolt is retracted by key from outside or by operating inside lever. ***Auxiliary dead latch.
		MSS-05 MSE-05	Classroom	F05	Latch bolt operated by lever from either side, except when outside lever is locked from outside by key. When outside lever is locked, latch bolt may be retracted by key, or by operating key and outside lever or by operating inside lever. ***Auxiliary dead latch.
		MSS-06 MSE-06 <small>**Clutch unavailable</small>	Holdback	F06	Latch bolt operated by lever either side, except when outside lever is locked from outside by key. Latch bolt can be locked in a retracted position by key. When outside lever is locked, latch bolt is retracted by key from outside or by operating inside lever unless latch bolt has been locked in a retracted position. ***Auxiliary dead bolt latch.
		MSS-07 MSE-07	Storeroom or Closet	F07	Latch bolt operated by key from outside or by rotating inside lever. Outside lever is always inoperative. ***Auxiliary dead latch.
		MSS-08 MSE-08	Front Door or Corridor Lock	F08	Latch bolt operated by lever from either side, except when outside lever is made inoperative by a push button rocker. Dead bolt is operated by turn inside. Key outside operates both bolts.
		MSS-09 MSE-09 <small>**Clutch unavailable</small>	Apartment / Exit or Public Toilet	F09	Latch bolt operated by lever from either side, except when outside lever is locked by key from inside. When outside lever is locked, latch bolt is retracted by key from outside or by operating inside lever. ***Auxiliary dead bolt latch.

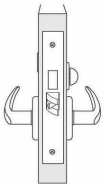
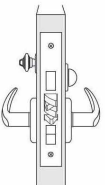
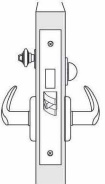
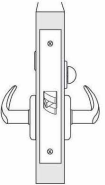
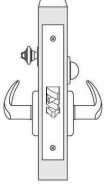
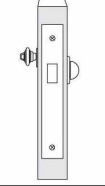
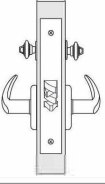
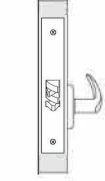
MS Series Mortise Lock with Regular/ Clutched Mortise Chassis

※In clutched mechanism, levers rotate up and down freely in the locked or unlocked position

Functions					
Outside	Inside	Series/ Function	Type	ANSI No.	Function Description
		MSS-11 MSE-11 <small>**Clutch unavailable</small>	Dormitory or Exit Lock	F11	Latch bolt operated by lever from either side except when outside lever is made inoperative by a stop or mechanical means other than key. Dead bolt projected by key from either side. Dead bolt retracted by key from outside. Both bolts retracted by inside lever and outside remain locked.
		MSS-12 MSE-12	Dormitory or Exit	F12	Latch bolt operated by lever from either side, except when outside lever is made inoperative by a stop or mechanical means other than key. Dead bolt projected by key from outside and by turn from inside. Deadbolt retracted by key from outside and by turn from inside. Operating inside lever retracts both bolts and outside remains locked.
		MSS-13 MSE-13	Dormitory or Exit	F13	Latch bolt operated by lever from either side. Dead bolt projected by key from outside and thumb turn from inside. Operating inside lever retracts both bolts and unlocks outside.
		MSS-14 MSE-14	Store Door	F14	Latch bolt operated by lever from either side. Dead bolt operated by key from either side.
		MSS-15 MSE-15	Hotel or Guest	F15	Latch bolt operated by key from outside or by rotating inside lever. Outside lever is always inoperative. Dead bolt operated by thumb turn from inside and all keys except emergency and display key are shut out. Operating inside lever retracts both bolts. ***Auxiliary dead bolt latch.
		MSS-16 MSE-16 <small>**Clutch unavailable</small>	Deadlock	F16	Dead bolt operated by key on either side.
		MSS-17 MSE-17 <small>**Clutch unavailable</small>	Deadlock	F17	Dead bolt operated by key outside and turn piece inside.
		MSS-18 MSE-18 <small>**Clutch unavailable</small>	Deadlock	F18	Dead bolt by key from outside only.

MS Series Mortise Lock with Regular/ Clutched Mortise Chassis

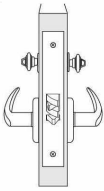
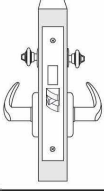
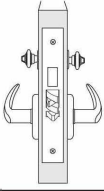
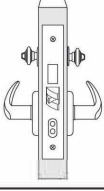
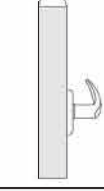
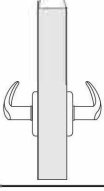
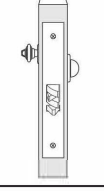
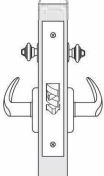
※In clutched mechanism, levers rotate up and down freely in the locked or unlocked position

Functions					
Outside	Inside	Series/ Function	Type	ANSI No.	Function Description
		MSS-19 MSE-19	Privacy or Bathroom	F19	Latch bolt operated by lever from either side. Dead bolt operated by turn from inside and emergency release from outside. Operating inside lever retracts both bolts.
		MSS-20 MSE-20	Entrance/ Apartment/ Dormitory	F20	Latch bolt operated by lever from either side, except when outside lever is made inoperative by push button rocker. Dead bolt projected by key from outside and by thumb turn from inside. Key outside operates both bolts. Operating inside lever retracts both bolts and outside remains locked. Latch bolt is deadlocked when outside lever is made inoperative or when the dead bolt is projected. When dead bolt is retracted, lever is unlocked by stop or mechanical means other than key.
		MSS-21 MSE-21 <small>**Clutch unavailable</small>	Dormitory with Dead bolt	F21	Latch bolt operated by lever either side. Dead bolt operated by key outside or by turn from inside.
		MSS-22 MSE-22	Privacy	F22	Latch bolt operated by lever from either side, except when outside lever is locked by inside turn. Operating inside lever, closing door or operating outside emergency release unlocks outside lever.
		MSS-26 MSE-26 <small>**Clutch unavailable</small>	Institutional Privacy	F26	Latch bolt operated by lever from either side, except when outside lever is locked by turn inside. Latch bolt operated by key outside with override of turn inside when manually held in locked position. Operating inside lever or closing door unlocks outside lever. ***Auxiliary dead latch.
		MSS-29 MSE-29	Classroom Dead bolt	F29	Key from outside operates dead bolt. Turn from inside retracts but does not project dead bolt.
		MSS-30 MSE-30	Institutional	F30	Latch bolt operated by key either side. Both levers always inoperative. ***Auxiliary dead bolt latch.
		MSS-31 MSE-31 <small>**Clutch unavailable</small>	Exit or Communicating	F31	Latch bolt operated by lever from inside. Non removable blank lever or no lever outside. ***Auxiliary dead bolt latch.

MS Series Mortise Lock with Regular/ Clutched Mortise Chassis

Functions

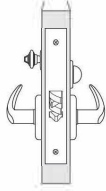
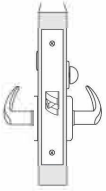
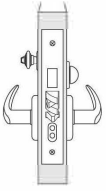
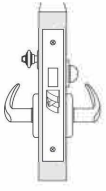
※In clutched mechanism, levers rotate up and down freely in the locked or unlocked position

Outside	Inside	Series/ Function	Type	ANSI No.	Function Description
		MSS-32 MSE-32	Intruder Latch bolt	F32	Latch bolt operated by lever either side, except when outside lever is locked from inside or outside by key. When outside lever is locked, latch bolt is retracted by key from inside or outside or by operating inside lever. ***Auxiliary dead bolt latch
		MSS-33 MSE-33	Intruder Dead bolt	F33	Latch bolt operated by lever either side, except when outside lever is locked from inside or outside by key. Dead bolt operated by key either side. Inside lever retracts both bolts and unlocks outside lever.
		MSS-34 MSE-34	Intruder Dead bolt	F34	Latch bolt operated by lever either side, except when outside lever is locked from inside or outside by key. Dead bolt operated by key either side. Operating inside lever retracts both bolts and unlocks outside. *** Auxiliary dead latch or latch bolt dead locked when dead bolt is thrown.
		MSS-35 MSE-35	Storeroom with Dead bolt	F35	Latch bolt operated by lever from either side, except when outside lever is made inoperative by a stop or mechanical means other than key. Dead bolt operated by key from either side.
		MSS-41 MSE-41	Single Dummy		No lock chassis. Single dummy trim only.
		MSS-42 MSE-42	Double Dummy		No lock chassis. Double dummy trim only.
		MSS-81 MSE-81 <small>**Clutch unavailable</small>	Hotel Privacy		Latch bolt retracted by key from outside and thumb turn from inside. ***Auxiliary dead bolt latch.
		MSS-82 MSE-82 <small>**Clutch unavailable</small>	Storeroom with Double Cylinder		Latch bolt operated by key from either side. both levers always rigid. ***Auxiliary dead bolt latch.

MS Series Mortise Lock with Regular/ Clutched Mortise Chassis

※In clutched mechanism, levers rotate up and down freely in the locked or unlocked position

Functions

Outside	Inside	Series/ Function	Type	ANSI No.	Function Description
		MSS-05A MSE-05A	AT-Office	N/A	Latch bolt operated by lever from either side, except when outside lever is made inoperable by turn on inside or key from outside. Outside lever is unlocked by turn from inside or key from outside. Key will retract latch. Inside lever is always operable. Auxiliary dead bolt latch.
		MSS-05B MSE-05B	LT Privacy	N/A	Latch bolt operated by lever from either side, except when outside lever is made inoperable by turn on inside. Outside lever is unlocked by rotating inside lever, turn from inside or emergency key from outside. Inside lever is always operable.
		MSS-20T MSE-20T	TA Dormitory	N/A	Latch bolt operated by lever from either side, except when outside lever is made inoperable by a stop or mechanical means other than a key or projecting the dead bolt. Dead bolt operated by key from outside and by turn from inside. Key from outside will retract the dead bolt and the latch. Operating inside lever retracts both bolts and outside remains locked.
		MSS-13R MSE-13R	TD Dormitory	N/A	Latch bolt operated by lever from inside or turning key from outside. Outside lever is always inoperable. Dead bolt operated by key from outside and by turn from inside. Operating inside lever retracts both bolts.

MS Commercial Locks

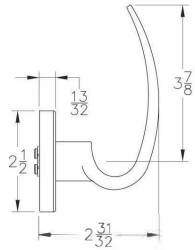
Levers and Knob (Commercial)



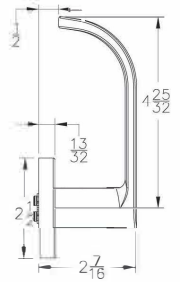
Plated & Stainless Steel Knobs and Levers



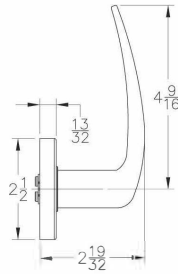
Artistic



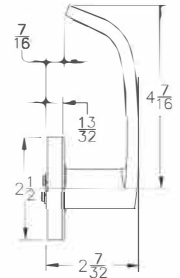
Congress



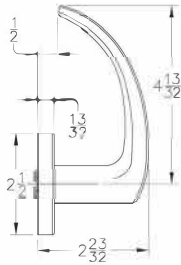
Gala



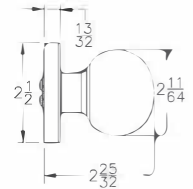
Imperial



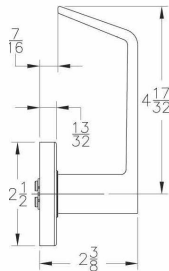
Quest



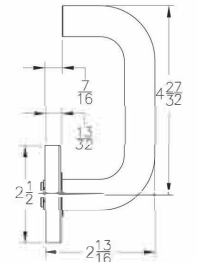
Regal



Sentinel



Tango



MS Designer Lockset

Levers and Knobs (Designer)



Plated Knobs and Levers



Antwerp



Balse



Bergen



Bonn



Bonn-short



Brighton



Blaine



Budapest

MS Designer Lockset

Levers and Knobs (Designer)



Plated Knobs and Levers

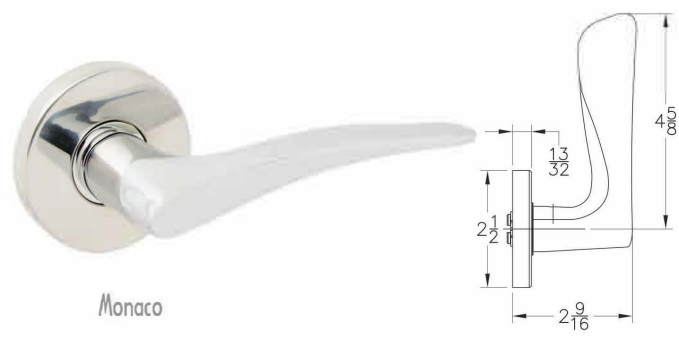


MS Designer Lockset

Levers and Knobs (Designer)



Plated Knobs and Levers



MS Designer Lockset

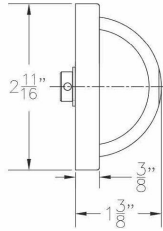
Levers and Knobs (Designer)



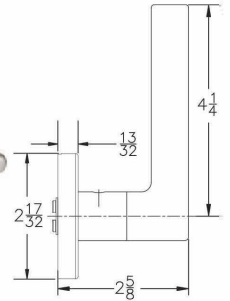
Plated Knobs and Levers



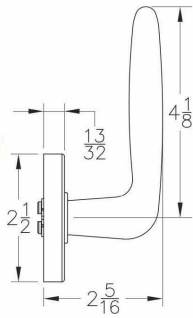
NSL 2



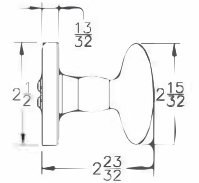
Napier



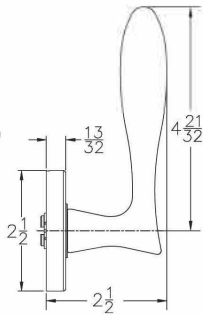
Oslo



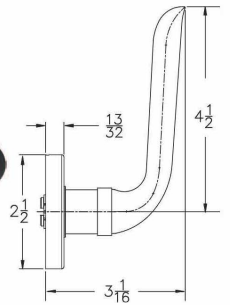
Oviedo



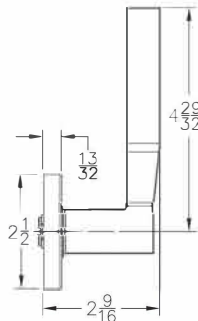
Oswego



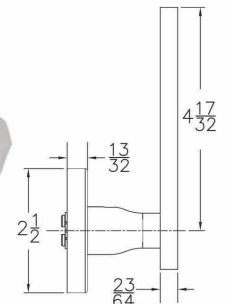
Oporto



Oliva



Pilsen

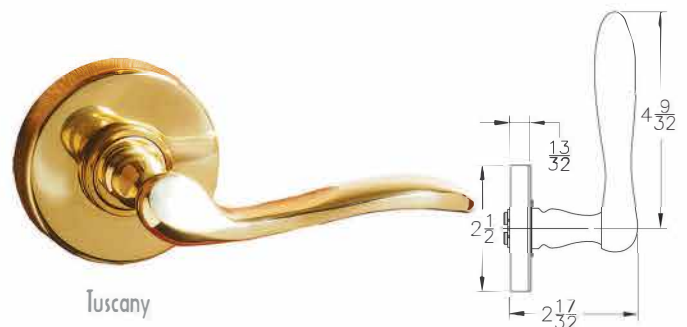
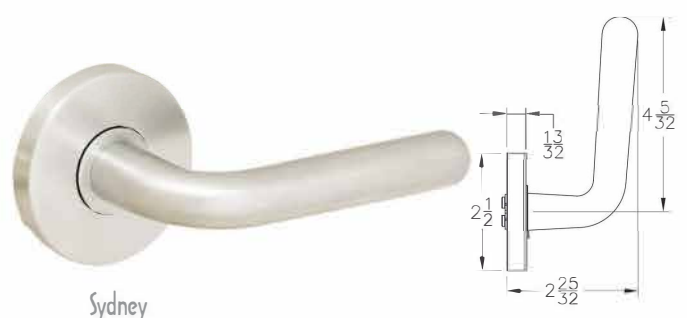
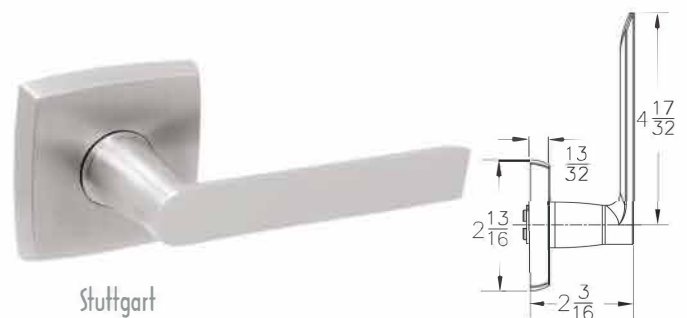
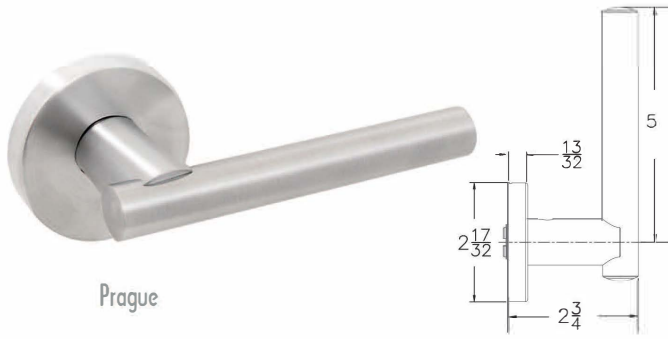


MS Designer Lockset

Levers and Knobs (Designer)



Plated Knobs and Levers

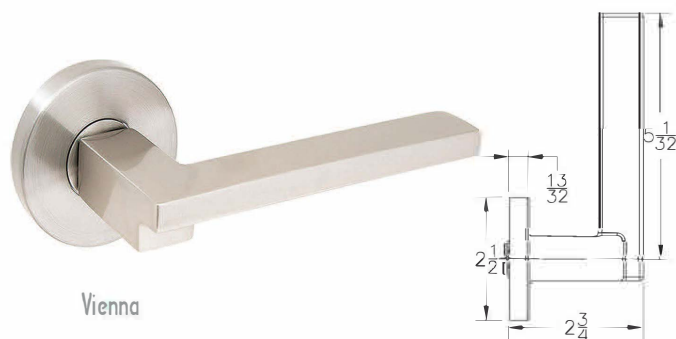


MS Designer Lockset

Levers and Knobs (Designer)



Plated Knobs and Levers



Plated Thumb Turns

Standard Thumb Turn



Classic Visible

Optional Thumb Turn



ADA



ADA Concealed



Classic Concealed



Classic Square



Vintage



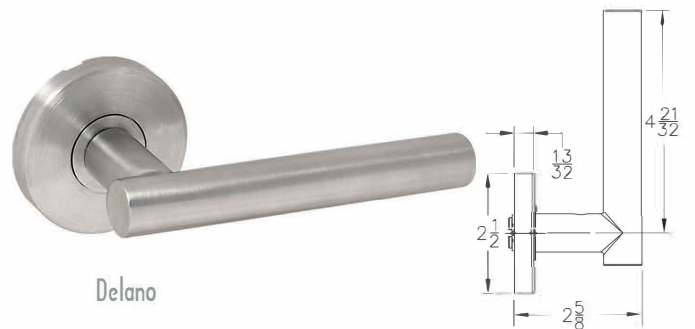
Modern

MS Designer Lockset

Levers and Knobs (Designer)



Stainless Steel Knobs and Levers



MS Designer Lockset

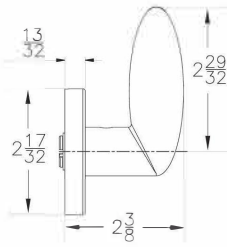
Levers and Knobs (Designer)



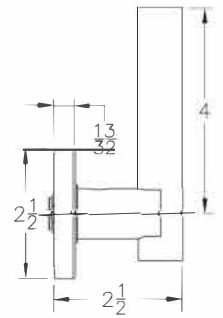
Stainless Steel Knobs and Levers



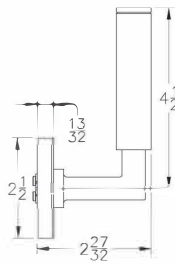
Lugano



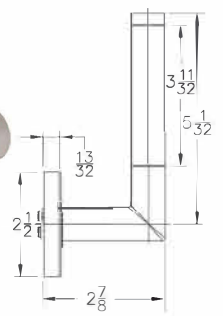
Lubeck



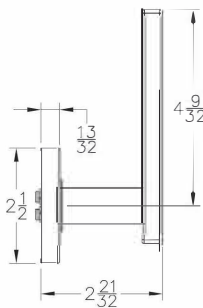
Lapaz



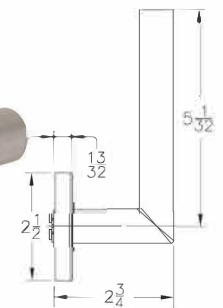
Lido



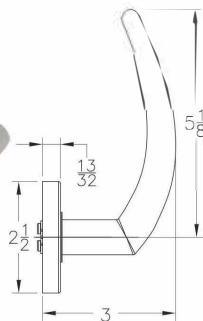
Lynex



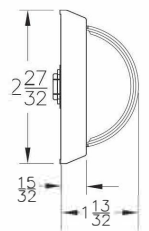
Malmo



Minsk



NSL



MS Designer Lockset

Levers and Thumb Turns (Designer)



Stainless Steel Knobs and Levers



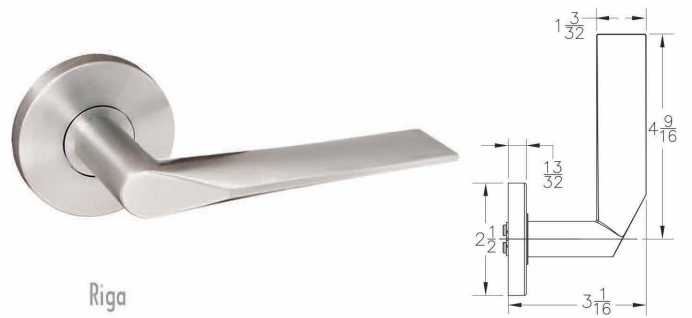
Norse



Oland



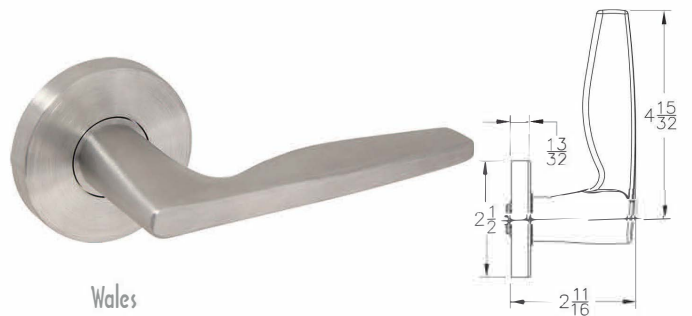
Push/Pull



Riga



Union



Wales

Stainless Steel Thumb Turns

Standard Thumb Turn

Optional Thumb Turn



Classic Visible



Classic Concealed



ADA



Classic Square

Multi-Housing Gallery



MSE-L



TLL-LS



TLL-L



TLL-S

Project Reference



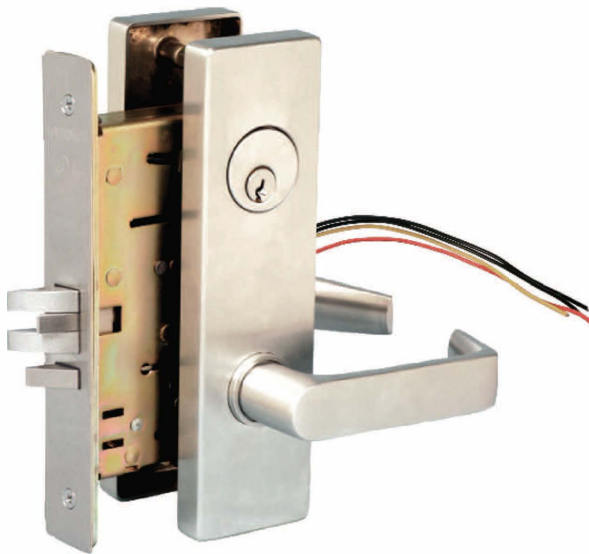
Picture	Project Name	Project Location	Lever Design	Finish
	267 6th Street	Brooklyn, NY	Ayer, Verona	US32D, US10B
	Zepher	Carlsbad, CA	Ayer, Verona	US32D
	Bossert Hotel	Brooklyn, NY	Bergen	US26D
	13-10 Jackson Ave.	Long Island City, NY	Bonn	US26D
	Revel Casino Hotel	Atlantic City, NJ	Bonn	US26D
	Regency Towers	Willow Grove, PA	Bonn	US26D
	Valley Forge Towers	King of Prussia, PA	Bonn	US26D
	Bahamar Tower	Bahamas	Bonn	US3/US4
	Bahamar Tower	Bahamas	Brighton	US15
	Marriott Townplace Suites	Danvers, MA	Buff	US26D
	Townplace Suites	Quonset Point, RI	Buff	US15
	Townplace Suites	Bangor, ME	Buff	US15
	Townplace Suites	Wareham, MA	Buff	US15
	14th and S Mixed Use Building	Washington D.C.	Caesars	US26D
	Annapolis Towne Centre II VE	Annapolis, MD	Delano	US10B
	Golden Nugget Hotel	Las Vegas, NV	Dublin	US10B
	Granite Park	Sacramento, CA	Dublin	US10B
	Blaine Mansion	Washington D.C.	Essen	US26D
	515 9th Avenue	New York, NY	Essen	US26D
	487 Keap Street	Brooklyn, NY	Essen	US26D
	201 Folsom	San Francisco, CA	Essen	US32D
	Sands Casino Resort	Las Vegas, NV	Essen	US26D
	416-432 West 52 St LLC	New York, NY	Essen	US26D
	Hyatt Hotel	Lisle, IL	Essen	US26D
	67 Liberty - NYC	New York, NY	Essen	US26D
	344 East 110th Street	New York, NY	Essen	US26D
	416 West 52 Street	New York, NY	Essen	US26D
	312 - 316 Bergen St.	Brooklyn, NY	Essen	US26D
	200 East 79th Street.	New York, NY	Francis	US15

MS Series Electrified Mortise Lock

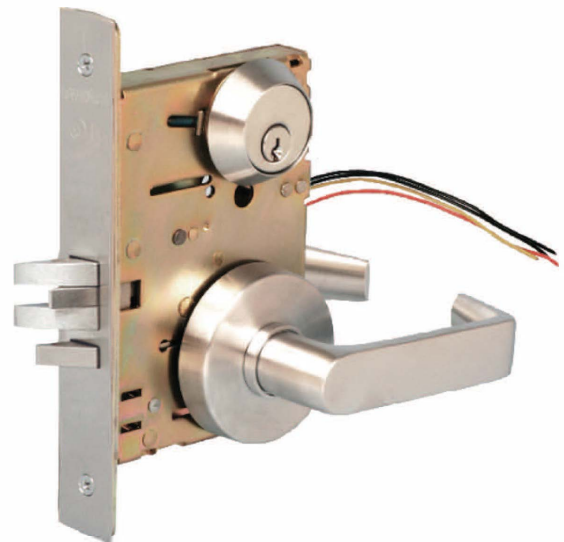


Mortise Lock

TownSteel Electrified Mortise Locks are designed to handle single opening, stand alone applications, or can be readily integrated into sophisticated access control systems. They meet ANSI A156.13 Grade 1 requirements, and are UL listed.



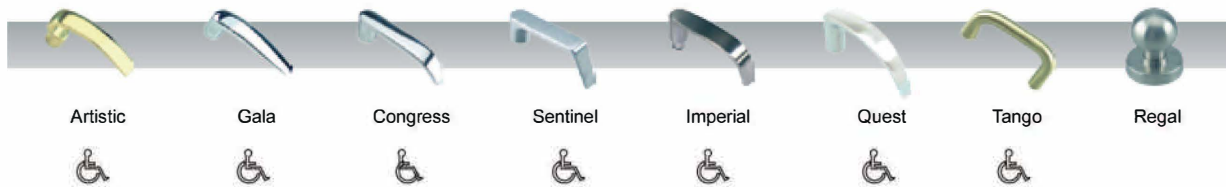
MSE



MSS

Note: Available with I.C and security cylinder

Available Levers



MS Series Electrified Mortise Lock

Mortise Lock



ANSI/BHMA Certified Grade 1 Electrified/Motorized Mortise Lock

- Solenoid units 12 or 24 VDC installations; Motorized units 10 - 30 VDC
- All motorized units are field adjustable for Fail Safe or Fail Secure
- Optional status sensors for solenoid units: RQE, DP, LP
- Optional status sensors for motorized units: RQE, PRIV, DAJ, MKO
- Lock body: R (Rigid), C (Clutched), X (Automatic Deadbolt)

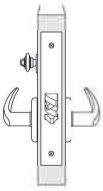
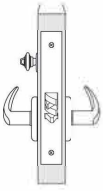
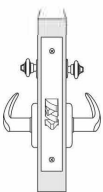
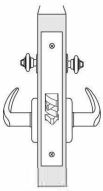
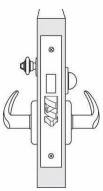
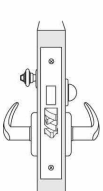
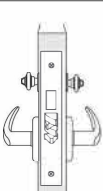
Finish	622 (US19) and 626 (US26D), others upon request
Cylinder	SC (Schlage C keyway), SFIC / SLFIC with/without core, or high security
ANSI/BHMA A156.13	Grade 1 certified
ANSI/BHMA A156.25	Meets Industry Standards
UL/ULC	UL10C 3-hour rated
BAA	Meets guidelines of the Buy American Act
ADA	All lever designs meet guidelines of Americans with Disabilities Act



How To Order					
1.Trim	MSS (Sectional), MSE (Escutcheon)				Order # Example: <p style="text-align: center;"><u>MSS-121-S-626-LH</u></p> 1. Sectional Regular _____ MSS 2. Function _____ 121 3. Sentinel Lever _____ S 4. Satin Chrome _____ 626 5. Left Handed _____ LH
2.Function	Please refer to function sheet				
3.Lever	Please refer to lever listing				
4.Finish	Please refer to finish listing				
5.Handing	RH	LH	RHR	LHR	

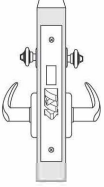
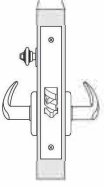


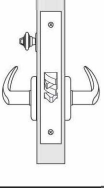
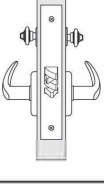
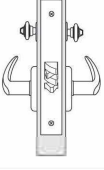
MS Series Mortise Lock with Electrified Mortise Chassis

Functions

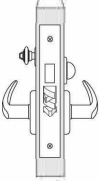
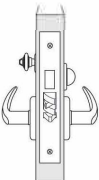
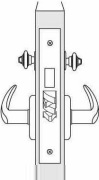
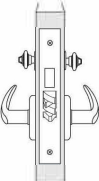
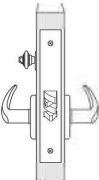
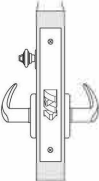
Outside	Inside	Series/ Function	Type	ANSI No.	Function Description
		MSS-121 MSE-121	12VDC Fail Safe, 3-position monitoring	N/A	12VDC voltage, fail safe, Monitors Request-to-Exit, Door Position Status and Latch Position Status. Latch bolt is operated by lever from either side when no power is supplied. Powering unit locks outside lever. When locked, latch bolt can be retracted by key or lever on inside. Auxiliary latch bolt.
		MSS-122 MSE-122	12VDC Fail Secure 3-position monitoring	N/A	12VDC voltage, fail secure, Monitors Request-to-Exit, Door Position Status and Latch Position Status. Powered unit latch bolt is operated by lever from either side. When no power is applied outside lever is locked. When locked, latch bolt can be retracted by key or lever on inside. Auxiliary latch bolt.
		MSS-121C MSE-121C	12VDC Fail Safe RQE	N/A	12VDC , fail safe. Monitors request to exit (RQE). Latch bolt is operated by lever from either side when no power is applied. When power is applied levers are inoperative (locked) on both sides. When locked the latch bolt can be retracted by key on either side. Auxiliary latch bolt.
		MSS-122C MSE-122C	12VDC Fail Secure RQE	N/A	12VDC , fail secure. Monitors request to exit (RQE). Powered unit is unlocked and latch bolt is operated by lever on either side. When no power is applied levers are inoperative (locked) on both sides. When locked, the latch bolt can be retracted by key on either side. Auxiliary latch bolt.
		MSS-121DB MSE-121DB	12VDC Fail Safe Dead Bolt RQE	N/A	12VDC voltage, fail safe, with Dead Bolt, Monitors Request-to-Exit. Latch bolt is operated by lever from either side when no power is supplied. Powering unit locks outside lever. Dead bolt can be operated from outside with key and inside by thumb turn. When locked, latch bolt can be retracted by key or lever on inside. Rotating inside lever retracts both bolts. Auxiliary latch bolt.
		MSS-122DB MSE-122DB	12VDC Fail Secure Dead Bolt RQE	N/A	12VDC voltage, fail secure, with Dead Bolt, Monitors Request-to-Exit. Powered unit latch bolt is operated by lever from either side. When no power is applied outside lever is locked. Dead bolt can be operated from outside with key and inside by thumb turn. When locked, latch bolt can be retracted by key or lever on inside. Rotating inside lever retracts both bolts. Auxiliary latch bolt.
		MSS-121DC MSE-121DC	12VDC Fail Safe Dead Bolt RQE	N/A	12VDC , fail safe with dead bolt. Monitors request to exit (RQE). Latch bolt is operated by lever from either side when no power is applied. When power is applied levers are inoperative (locked) on both sides. When locked, the latch bolt can be retracted by key on either side. Dead bolt can be operated on both sides by key. When unlocked, operating inside or outside lever retracts both bolts. Auxiliary latch bolt.

MS Series Mortise Lock with Electrified Mortise Chassis

Functions

Outside	Inside	Series/ Function	Type	ANSI No.	Function Description
		MSS-122DC MSE-122DC	12VDC Fail Secure Dead Bolt RQE	N/A	12VDC , fail secure with dead bolt. Monitors request to exit (RQE). Powered unit is unlocked and latch bolt is operated by lever on either side. When no power is applied levers are inoperative (locked) on both sides. When locked, the latch bolt can be retracted by key on either side. Dead bolt can be operated on both sides by key. When unlocked, operating inside or outside lever retracts both bolts. Auxiliary latch bolt.
		MSS-121RQE MSE-121RQE	12VDC Fail Safe RQE	N/A	12VDC voltage, fail safe, Monitors Request-to-Exit. Latch bolt is operated by lever from either side when no power is supplied. Powering unit locks outside lever. When locked, latch bolt can be retracted by key from outside or lever on inside. Auxiliary latch bolt.
		MSS-122RQE MSE-122RQE	12VDC Fail Secure RQE	N/A	12VDC voltage, fail secure, Monitors Request-to-Exit. Powered unit latch bolt is operated by lever from either side. When no power is applied, outside lever is locked. When locked, latch bolt can be retracted by key from outside or lever on inside. Auxiliary latch bolt.
		MSS-241 MSE-241	24VDC Fail Safe 3-position monitoring	N/A	24VDC, fail safe, Monitors Request-to-Exit, Door Position Status and Latch Position Status. Latch bolt is operated by lever from either side when no power is supplied. Powering unit locks outside lever. When locked, the latch bolt can be retracted by key or lever on inside. Auxiliary latch bolt.
		MSS-242 MSE-242	24VDC Fail Secure 3-position monitoring	N/A	24VDC, fail secure, Monitors Request-to-Exit, Door Position Status and Latch Position Status. Powered unit latch bolt is operated by lever from either side. When no power is applied outside lever is locked. When locked, latch bolt can be retracted by key or lever on inside. Auxiliary latch bolt.
		MSS-241C MSE-241C	24VDC Fail Safe RQE	N/A	24VDC , fail safe. Monitors request to exit (RQE). Latch bolt is operated by lever from either side when no power is applied. When power is applied levers are inoperative (locked) on both sides. When locked the latch bolt can be retracted by key on either side. Auxiliary latch bolt.
		MSS-242C MSE-242C	24VDC Fail Secure RQE	N/A	24VDC , fail secure. Monitors request to exit (RQE). Powered unit is unlocked and latch bolt is operated by lever on either side. When no power is applied levers are inoperative (locked) on both sides. When locked, the latch bolt can be retracted by key on either side. Auxiliary latch bolt.

MS Series Mortise Lock with Electrified Mortise Chassis

Functions					
Outside	Inside	Series/ Function	Type	ANSI No.	Function Description
		MSS-241DB MSE-241DB	24VDC Fail Safe Dead Bolt RQE	N/A	24VDC voltage, fail safe, with Dead Bolt, Monitors Request-to-Exit. Latch bolt is operated by lever from either side when no power is supplied. Powering unit locks outside lever. Dead bolt can be operated from outside with key and inside by thumb turn. When locked, latch bolt can be retracted by key or lever on inside. Rotating inside lever retracts both bolts. Auxiliary latch bolt.
		MSS-242DB MSE-242DB	24VDC Fail Secure Dead Bolt RQE	N/A	24VDC voltage, fail secure, with Dead Bolt, Monitors Request-to-Exit. Powered unit latch bolt is operated by lever from either side. When no power is applied outside lever is locked. Dead bolt can be operated from outside with key and inside by thumb turn. When locked, latch bolt can be retracted by key or lever on inside. Rotating inside lever retracts both bolts. Auxiliary latch bolt.
		MSS-241DC MSE-241DC	24VDC Fail Safe Dead Bolt RQE	N/A	24VDC , fail safe with dead bolt. Monitors request to exit (RQE). Latch bolt is operated by lever from either side when no power is applied. When power is applied levers are inoperative (locked) on both sides. When locked, the latch bolt can be retracted by key on either side. Dead bolt can be operated on both sides by key. When unlocked, operating inside or outside lever retracts both bolts. Auxiliary latch bolt.
		MSS-242DC MSE-242DC	24VDC Fail Secure Dead Bolt RQE	N/A	24VDC , fail secure with dead bolt. Monitors request to exit (RQE). Powered unit is unlocked and latch bolt is operated by lever on either side. When no power is applied levers are inoperative (locked) on both sides. When locked, the latch bolt can be retracted by key on either side. Dead bolt can be operated on both sides by key. When unlocked, operating inside or outside lever retracts both bolts. Auxiliary latch bolt.
		MSS-241RQE MSE-241RQE	24VDC Fail Safe RQE	N/A	24VDC voltage, fail safe, Monitors Request-to-Exit. Latch bolt is operated by lever from either side when no power is supplier. Powering unit locks outside lever. When locked, latch bolt can be retracted by key from outside or lever on inside. Auxiliary latch bolt.
		MSS-242RQE MSE-242RQE	24VDC Fail Secure RQE	N/A	24VDC voltage, fail secure, Monitors Request-to-Exit. Powered unit latch bolt is operated by lever from either side. When no power is applied, outside lever is locked. When locked, latch bolt can be retracted by key from outside or lever on inside. Auxiliary latch bolt.



Status Indicator

Status Indicator

Features

- For commercial and institutional buildings: offices, schools and hotels. where the finest in auxiliary mortise locks are required.
- Complete privacy indicator solution for mortise locks with either escutcheon or sectional trim, key or non-key function
- Working with TownSteel Mortise Locks where privacy indicator is needed.
- Three types of labels — "SECURE/UNSECURE", "OCCUPIED/VACANT" and "LOCKED/UNLOCKED"
- Throwing deadbolt displays "OCCUPIED", " SECURE" or "LOCKED" plate, retracting deadbolt displays "VACANT", "UNSECURE" or "UNLOCKED" plate
- Stainless Steel with plated finish to match trim finishes

Function:

F02
F19
F22



Function:

F05 F15
F09 F16
F13 F21
F14 F29



How To Order

Series	ANSI Function	Message	Lever	Finishes
MSS - Mortise Sectional	F02, F16,	O: Vacant / Occupied	A: Artistic	US26D (626): Satin Chrome
	F05, F19,		C: Congress	
MSE - Mortise Escutcheon	F09, F21,	S: Unsecure / Secure	G: Gala	US32D (630): Satin SST
	F13, F22,		I: Imperial	
	F14, F29,		Q: Quest	
	F15,	L: Unlocked/ Locked	R: Regal	
			S: Sentinel	
			T: Tango	

*Other finishes available upon request.

Ordering Example

1. Mortise Sectional
2. Privacy Function
3. Vacant / Occupied
4. Congress Lever
5. Satin Chrome

MSS - 02 - O - C - 626



Privacy Indicator

Privacy Indicator

FEATURES

Privacy indicator uses a red/green window to indicate if the door is in the locked or unlock position (deadbolt position). The indicator also works as an emergency release to retract the deadbolt. The Privacy indicator is used on Bathroom, Privacy and Bedroom lock functions (F-02, F-19). Privacy Indicator works with sectional trim only.

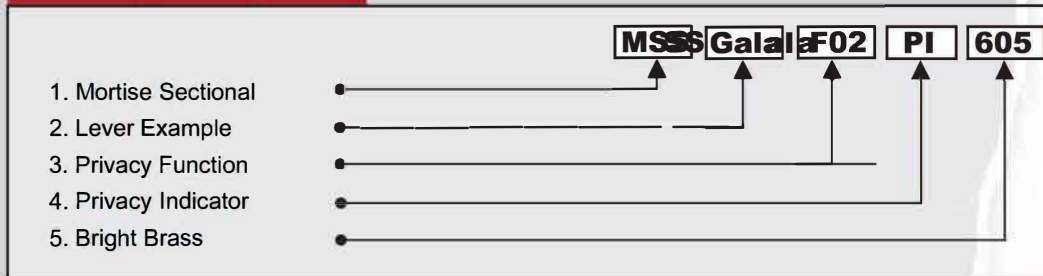
Specifications

- Green and red windows provide clear indication of when door is in the locked position.
- Provides ability to unlock the door in case of emergency.
- Ideal for common areas, such as bathrooms, where privacy can be indicated.
- Finishes: 605, 606, 625, 626, 629, 630.

How To Order

Series	Lever	Function	Privacy Indicator	Finishes
MSS- Mortise Sectional	A: Artistic C: Congress G: Gala I: Imperial Q: Quest R: Regal S: Sentinel T: Tango	F02 - Privacy F19 - Bathroom	PI - Privacy Indicator	605 (Bright Brass) 606 (Satin Brass) 625 (Bright Chrome) 626 (Satin Chrome) 629 (Bright SST) 630 (Satin SST)

Ordering Example



e-ALL-2000

Mortise Retrofit Trim Kit with Keypad



Specification

- Heavy duty mortise lock trim with keypad
- Retrofit exiting mechanical mortise lock of:
 - a) Corbin® ML2200 Series
 - b) Emhart® M Series
 - c) Dorma® ML9000, MK9000 and M9000 Series
 - d) Falcon® M and MA Series
 - e) Sargent®
 - f) Best® 30H and 40H Series
 - g) Marks®
 - h) Schlage® L9000 Series
- Standalone keypad control trim, motorized
- Full indoor and outdoor application
- Multi-colored LED and Sound communication
- 4AA Battery power supply, up to 2 years
- Operating temperature -31° to 151° F (-35° to 66° C)
- 100 user codes capacity
- Door thickness: 1-3/4" standard
- Wrought steel or zinc alloy escutcheon trim, 10-5/8" x 3-27/64" x 21/32"
- Forged brass or cast zinc lever, plated to match finish symbols
- Lever style: Sentinel (S), Quest (Q) and Gala (G). Designer lever styles upon request
- Available finish: Satin Chrome (US26D), Powder Coat (US10B)
- Independent lever rotation
- Clutch trim available upon request
- Through bolt mounting
- Mounting screws and spindle included
- Handed, specify handing when ordering
- Change of existing cylinder or keying system not required
- Change of faceplate or strike not required
- Warranty: one-year limited on electronic components, five-year limited on finish



Code Compliance

- ANSI/BHMA** Designed to meet all requirements of A156.13 Grade 1
- UL** Designed to meet UL 10C 3-hour rating
- FCC** FCC part 15 certified
- ADA** Designed to meet The Americans with Disabilities Act
- BAA** Meets the Buy American Act

How To Order

Series	e-ALL-2010: Rigid Trim e-ALL-2020: Clutched Trim	<p>Example:</p> <p><u>e-ALL-2010 - S - US26D - LH</u></p> <p>e-ALL-2010: Rigid Trim _____</p> <p>S: Sentinel Lever _____</p> <p>US26D: Satin Chromate Plated _____</p> <p>LH: Left Handed _____</p>
Lever Style	S: Sentinel Q: Quest G: Gala	
Finish	US26D: Satin Chrome Plated US10B: Powder Coat	
Handing	LH: Left Handed RH: Right Handed LHR: Left Hand Reverse RHR: Right Hand Reverse	
Brand to retrofit	Specify when ordering	

e-ALL-9000



Mortise Retrofit Trim Kit with Keypad and Remote Lockdown Unit

Specification

- Heavy duty mortise lock trim with keypad and Remote Lockdown Unit
- Retrofit exiting mechanical mortise lock of:
 - a) Corbin® ML2200 Series
 - b) Emhart® M Series
 - c) Dorma® ML9000, MK9000 and M9000 Series
 - d) Falcon® M and MA Series
 - e) Sargent®
 - f) Best® 30H and 40H Series
 - g) Marks®
 - h) Schlage® L9000 Series
- Standalone keypad control trim, motorized.
- Emergency Remote Lockdown Unit, 75 feet minimum operational distance
- Full indoor and outdoor application
- Multi-colored LED and Sound communication
- 4AA Battery power supply, up to 2 years
- Operating temperature -31° to 151° F (-35° to 66° C)
- 90 user codes capacity
- 10 emergency codes capacity
- Door thickness: 1-3/4" standard
- Wrought steel or zinc alloy escutcheon trim, 10-5/8" x 3-27/64" x 21/32"
- Forged brass or cast zinc lever, plated to match finish symbols
- Lever style: Sentinel (S), Quest (Q) and Gala (G). Designer lever styles upon request
- Available finish: Satin Chrome (US26D), Powder Coat (US10B)
- Independent lever rotation
- Clutching trim available upon request
- Through bolt mounting
- Mounting screws and spindle included
- Handed, specify handing when ordering
- Change of existing cylinder or keying system not required
- Change of faceplate or strike not required
- Warranty: one-year limited on electronic components, five-year limited on finish



Code Compliance

- ANSI/BHMA** Designed to meet all requirements of A156.13 Grade 1
- UL** Designed to meet UL 10C 3-hour rating
- FCC** FCC part 15 certified
- ADA** Designed to meet The Americans with Disabilities Act
- CSFH** All three lever designs meet requirements of California State Reference Code

How To Order

Series	e-ALL-9010: Rigid Trim e-ALL-9020: Clutched Trim	Example: e-ALL-9010 - S - US26D - LH - Brand e-ALL-9010: Rigid Trim S: Sentinel Lever US26D: Satin Chrome Plated LH: Left Handed
Lever Style	S: Sentinel Q: Quest G: Gala	
Finish	US26D: Satin Chrome Plated US10B: Powder Coat	
Handing	LH: Left Handed RH: Right Handed LHR: Left Hand Reverse RHR: Right Hand Reverse	
Brand to retrofit	Specify when ordering	

e-ALL-4000 / e-ALL-5000

Mortise Retrofit Trim Kit with RFID Keycard



Specification

- Heavy duty mortise lock trim with RFID keycard
- Retrofit exiting mechanical mortise lock of:
 - a) Corbin® ML2200 Series
 - b) Emhart® M Series
 - c) Dorma® ML9000, MK9000 and M9000 Series
 - d) Falcon® M and MA Series
 - e) Sargent®
 - f) Best® 30H and 40H Series
 - g) Marks®
 - h) Schlage® L9000 Series
- Standalone RFID keycard control trim, motorized.
- Full indoor and outdoor application
- Multi-colored LED and Sound communication
- 4AA Battery power supply, up to 2 years
- Operating temperature -31° to 151° F (-35° to 66° C)
- 250 keycards capacity
- Door thickness: 1-3/4" standard
- Wrought steel or zinc alloy escutcheon trim, 10-5/8" x 3-27/64" x 21/32"
- Forged brass or cast zinc lever, plated to match finish symbols
- Lever style: Sentinel (S), Quest (Q) and Gala (G). Designer lever styles upon request
- Available finish: Satin Chrome (US26D), Powder Coat (US10B)
- Independent lever rotation
- Clutch trim available upon request
- Through bolt mounting
- Mounting screws and spindle included
- Handed, specify handing when ordering
- Change of existing cylinder or keying system not required
- Change of faceplate or strike not required
- Warranty: one-year limited on electronic components, five-year limited on finish



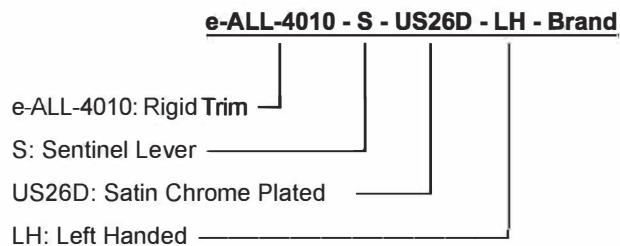
Code Compliance

- ANSI/BHMA** Designed to meet all requirements of A156.13 Grade 1
- UL** Designed to meet UL 10C 3-hour rating
- FCC** FCC part 15 certified
- ADA** Designed to meet The Americans with Disabilities Act
- CSFH** All three lever designs meet requirements of California State Reference Code

How To Order

Series	e-ALL-4010: Rigid Trim e-ALL-4020: Clutched Trim e-ALL-5010: Rigid Trim e-ALL-5020: Clutched Trim
Lever Style	S: Sentinel Q: Quest G: Gala
Finish	US26D: Satin Chrome Plated US10B: Powder Coat
Handing	LH: Left Handed RH: Right Handed LHR: Left Hand Reverse RHR: Right Hand Reverse
Brand to retrofit	Specify when ordering

Example:



e-ALL-4200



Mortise Retrofit Trim Kit with RFID Keycard and Remote Lockdown Unit

Specification

- Heavy duty mortise lock trim with RFID keycard and Remote Lockdown Unit
- Retrofit exiting mechanical mortise lock of:
 - a) Corbin® ML2200 Series
 - b) Emhart® M Series
 - c) Dorma® ML9000, MK9000 and M9000 Series
 - d) Falcon® M and MA Series
 - e) Sargent®
 - f) TownSteel® MS Series
 - g) Best® 30H and 40H Series
 - h) Marks®
 - i) Schlage® L9000 Series
- Standalone RFID keycard control trim, motorized.
- Remote Lockdown Unit, 75 feet minimum operational distance
- Full indoor and outdoor application
- Multi-colored LED and Sound communication
- 4AA Battery power supply, up to 2 years
- Operating temperature -31° to 151° F (-35° to 66° C)
- 250 keycards capacity
- Door thickness: 1-3/4" standard
- Wrought steel or zinc alloy escutcheon trim, 10-5/8" x 3-27/64" x 21/32"
- Forged brass or cast zinc lever, plated to match finish symbols
- Lever style: Sentinel (S), Quest (Q) and Gala (G). Designer lever styles upon request
- Available finish: Satin Chrome (US26D), Powder Coat (US10B)
- Independent lever rotation
- Clutch trim available upon request
- Through bolt mounting
- Mounting screws and spindle included
- Handed, specify handing when ordering
- Change of existing cylinder or keying system not required
- Change of faceplate or strike not required
- Warranty: one-year limited on electronic components, five-year limited on finish



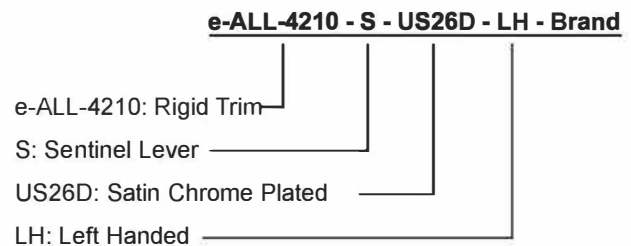
Code Compliance

- ANSI/BHMA** Designed to meet all requirements of A156.13 Grade 1
- UL** Designed to meet UL 10C 3-hour rating
- FCC** FCC part 15 certified
- ADA** Designed to meet The Americans with Disabilities Act
- CSFH** Sentinel and Quest lever meet requirements of California State Reference Code

How To Order

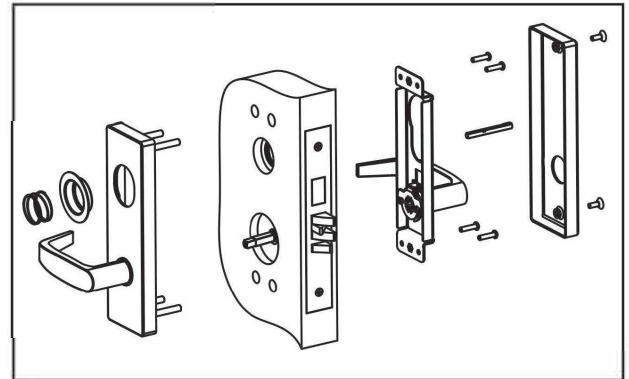
Series	e-ALL-4210: Rigid Trim e-ALL-4220: Clutched Trim
Lever Style	S: Sentinel Q: Quest G: Gala
Finish	US26D: Satin Chrome Plated US10B: Powder Coat
Handing	LH: Left Handed RH: Right Handed LHR: Left Hand Reverse RHR: Right Hand Reverse
Brand to retrofit	Specify when ordering

Example:



RMU

Retrofit Trim Kit for Cast Iron Mortise Chassis



Specification:

- Heavy duty mortise lock trim
- Retrofit existing mortise lock with cast iron chassis
- Stainless steel or forged brass escutcheon, 8-1/2" x 2-3/4" x 5/8"
- Stainless steel or forged brass lever
- Mounting screws and spindle included
- Lever rotates in both directions (up & down)
- Independent lever rotation
- Handing field reversible
- Change of existing key system not required
- Change of faceplate or strike not required
- Available lever style: Sentinel (L), Imperial (I) and Tango (T)
- Available BHMA Finish: 626 (US26D), 613 (US10B) and 630(US32D)
- Function: Specify
- Warranty: one year on material



Code Compliance:

- ANSI/BHMA** Designed to meet all requirements of A156.13 Grade 1
- UL** Designed to meet UL 10C 3-Hour rating
- ADA** Designed to meet The Americans with Disabilities Act
- CSFH** All three lever designs meet requirements of California State Reference Code

How To Order	
Series	RMU
Lever Style	S: Sentinel I: Imperial T: Tango
Function	Specify
Finish	626: Satin Chrome Plated 630: Satin Stainless Steel 613: Stain Bronze oil rubbed

Example:

RMU - S - 04 - 626

RMU: RMU Series

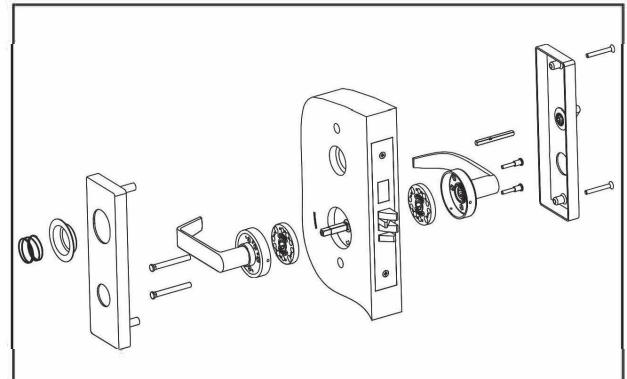
S: Sentinel Lever

04: Entry/ Office

626: Satin Chrome Plated

RMT REJUVENATOR ESCUTCHEON TRIM

Retrofit Trim Kit for Through-Bolt Mounting Mortise Chassis



Specification:

- Heavy duty mortise lock trim
- Retrofit existing mortise lock:
 - a) Schlage® L9000 Series
 - b) Falcon® M Series
 - c) Falcon® MA Series
 - d) Best® 40H Series
 - e) Corbin® ML2000 Series
 - f) Sargent® 8200 Series
 - g) Yale® 8800 Series
 - h) Dorma® M9000 Series
 - i) TownSteel® MS Series
 - j) PDQ® MR Series
 - k) Yale® 8700 Series
- Stainless steel or forged brass Escutcheon, 8-1/2" x 2-3/4" x 5/8"
- Stainless steel or forged brass lever
- Mounting screws and spindle included
- Lever rotates in both directions (up & down)
- Independent lever rotation
- Through bolt mounting
- Handing field reversible
- Change of existing key system not required
- Change of faceplate or strike not required
- Available lever style: Sentinel (L), Imperial (I) and Tango (T)
- Available BHMA Finish: 626 (US26D), 613 (US10B) and 630(US32D)
- Function: Specify
- Warranty: one year on material



Code Compliance:

- ANSI/BHMA** Designed to meet all requirements of A156.13 Grade 1
- UL** Designed to meet UL 10C 3-Hour rating
- ADA** Designed to meet The Americans with Disabilities Act
- BAA** Meets The Buy American Act
- CSFH** All three lever designs meet requirements of California State Reference Code

How To Order	
Series	RMT
Lever Style	S: Sentinel I: Imperial T: Tango
Function	Specify
Finish	626: Satin Chrome Plated 630: Satin Stainless Steel 613: Stain Bronze oil rubbed
Brand to retrofit	Specify when ordering

Example:

RMT - S - 04 - 626 - Corbin

RMT: RMT Series

S: Sentinel Lever

04: Entry/ Office

626: Satin Chrome Plated

Retrofit Brand: Corbin

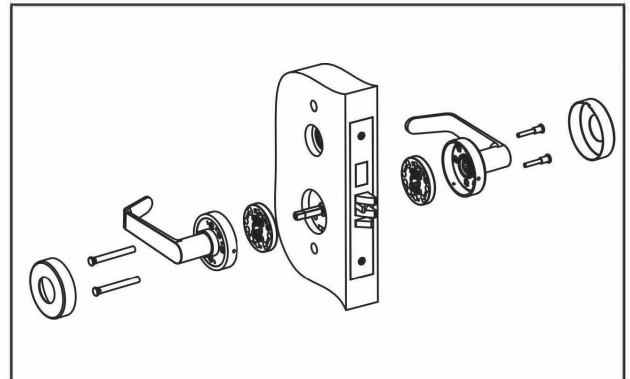
RMS REJUVENATOR SECTIONAL TRIM

Retrofit Trim Kit for Through- Bolt Mounting Mortise Chassis



Outside

Inside



Specification:

- Heavy duty mortise lock trim
- Retrofit existing mortise lock:
 - a) Schlage® L9000 Series
 - b) Falcon® M Series
 - c) Falcon® MA Series
 - d) Best® 40H Series
 - e) Corbin® ML2000 Series
 - f) Sargent® 8200 Series
 - g) Yale® 8800 Series
 - h) Dorma® M9000 Series
 - i) TownSteel® MS Series
 - j) PDQ® MR Series
- Stainless steel or forged brass rose, 2-1/2" X 5/8"
- Stainless steel or forged brass lever
- Mounting screws and spindle included
- Lever rotates in both directions (up & down)
- Independent lever rotation
- Through bolt mounting
- Non-handed
- Change of existing key system not required
- Change of faceplate or strike not required
- Available lever style: Sentinel (L), Imperial (I) and Tango (T)
- Available BHMA Finish: 626 (US26D), 613 (US10B) and 630(US32D)
- Warranty: one year on material



Code Compliance:

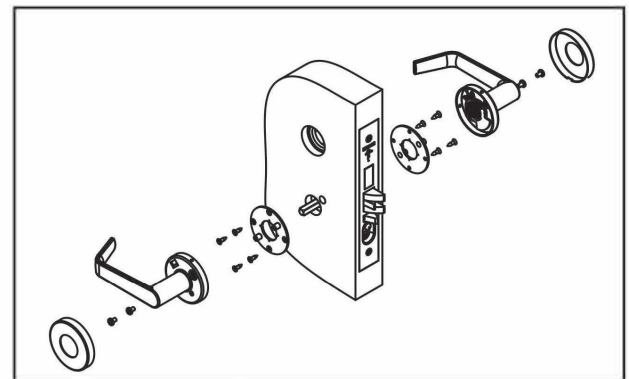
- ANSI/BHMA** Designed to meet all requirements of A156.13 Grade 1
- UL** Designed to meet UL 10C 3-Hour rating
- ADA** Designed to meet The Americans with Disabilities Act
- BAA** Meets The Buy American Act
- CSFH** All three lever designs meet requirements of California State Reference Code

How To Order

Series	RMS	<p>Example:</p> <p style="text-align: center;">RMS - S - 626 - Corbin</p> <p>RMS: RMS Series ————</p> <p>S: Sentinel Lever ————</p> <p>626: Satin Chrome Plated ————</p> <p>Retrofit Brand: Corbin ————</p>
Lever Style	S: Sentinel I: Imperial T: Tango	
Finish	626: Satin Chrome Plated 630: Satin Stainless Steel 613: Stain Bronze oil rubbed	
Brand to retrofit	Specify when ordering	

RMF

Retrofit Trim Kit for Cast Iron Mortise Chassis



Specification:

- Heavy duty mortise lock trim
- Retrofit existing mortise lock with cast iron chassis
- Applicable for solid core wood door with 1-3/4" minimum door thickness
- Stainless steel or forged brass rose, 2-1/2" x 5/8"
- Stainless steel or forged brass lever
- Mounting screws and spindle included
- Lever rotates in both directions (up & down)
- Independent lever rotation
- Surface mounted
- Non-handed
- Change of existing key system not required
- Change of faceplate or strike not required
- Available lever style: Sentinel (L), Imperial (I) and Tango (T)
- Available BHMA Finish: 626 (US26D), 613 (US10B) and 630(US32D)
- Warranty: one year on material



Code Compliance:

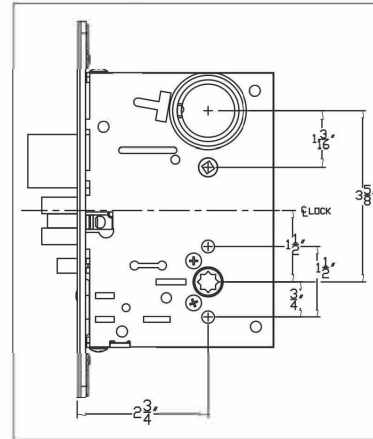
ADA Designed to meet The Americans with Disabilities Act

BAA Meets The Buy American Act

CSFH All three lever designs meet requirements of California State Reference Code

How To Order

Series	RMF	<p>Example:</p> <p style="text-align: right;">RMF - S - 626</p> <p>RMF: RMF Series</p> <p>S: Sentinel Lever</p> <p>626: Satin Chrome Plated</p>
Lever Style	S: Sentinel I: Imperial T: Tango	
Finish	626: Satin Chrome Plated 630: Satin Stainless Steel 613: Stain Bronze oil rubbed	



Specification:

- Heavy duty ANSI/BHMA A156.13-2012 Grade 1 mortise chassis
- Retrofit Corbin® ML2000 and PDQ® MR Series mortise chassis
- Heavy gage steel lock case, clear zinc plated
- Stainless steel deadbolt, anti-saw, 1" projection
- Stainless steel latch bolt, anti-friction, 3/4" projection
- Stainless steel guard bolt
- Stainless steel toggle type stop works
- ASA strike, faceplate and mounting screws included
- 2-3/4" back set
- Field reversible handing without opening lock case
- Change of keying system not required
- Available Complete with trim and cylinder
- Available ANSI function: F-01, 02, 04, 05, 06, 07, 08, 09, 13, 14, 15, 16, 19, 20, 21, 22, 29, 30, 31, 32, 33, 35
- Available Finish: 622, 626, 630
- Warranty: one year on material

Code Compliance:

- ANSI/BHMA** A156.13-2012 Grade 1 certified
- UL** UL 10C 3-Hour rated
- ADA** Designed to meet guidelines of The Americans with Disabilities Act
- BAA** Meets requirements of The Buy American Act
- RoHS** Meets requirements of EU RoHS Directive 2002/95/EC



How To Order	
Series	RC
ANSI Function	F- 01, 02, 04, 05, 06, 07, 08, 09, 13, 14, 15, 16, 19, 20, 21, 22, 29, 30, 31, 32, 33, 35
Finish	622, 626, 630

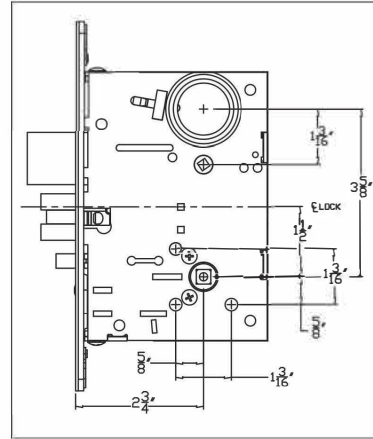
Example:

RC - 05 - 626

RC: RC Series

05: Classroom

626: Satin Chrome Plated



Specification:

- Heavy duty ANSI/BHMA A156.13-2012 Grade 1 mortise chassis
- Retrofit Best® H Series mortise chassis
- Heavy gage steel lock case, clear zinc plated
- Stainless steel deadbolt, anti-saw, 1" projection
- Stainless steel latch bolt, anti-friction, 3/4" projection
- Stainless steel guard bolt
- Stainless steel toggle type stop works
- ASA strike, faceplate and mounting screws included
- 2-3/4" back set
- Field reversible handing without opening lock case
- Change of keying system not required
- Available Complete with trim and cylinder
Available ANSI function: F-01, 02, 04, 05, 07, 08, 09, 13,
- 14, 15, 16, 19, 20, 21, 22, 29, 30, 31, 32, 33, 35
- Available Finish: 622, 626, 630
- Warranty: one year on material

Code Compliance:

- ANSI/BHMA A156.13-2012 Grade 1 certified
- UL UL 10C 3-hour rated
- BAA Meets guidelines of The Buy American Act
- RoHS Meets requirements of EU RoHS Directive 2002/95/EC



How To Order	
Series	RB
ANSI Function	F- 01, 02, 04, 05, 06, 07, 08, 09, 13, 14, 15, 16, 19, 20, 21, 22, 29, 30, 31, 32, 33, 35
Finish	622, 626, 630

Example:

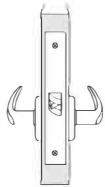
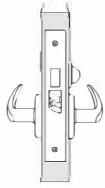
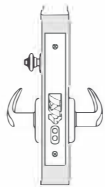
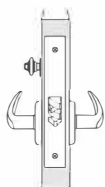
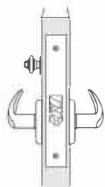
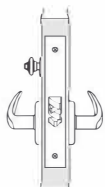

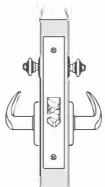
RB - 05 - 626

RB: RB Series _____

05: Classroom _____

626: Satin Chrome Plated _____

Function Sheet


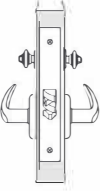

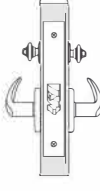
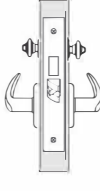
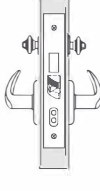
Outside	Inside	Series/ Function	Type	ANSI No.	Function Description
		RC-01 RB-01	Passage or Closet	F01	Latch bolt operated by lever from either side at all times.
		RC-02 RB-02	Privacy or Bathroom	F02	Latch bolt operated by lever from either side. Dead bolt operated by turn from inside and emergency release from outside.
		RC-04 RB-04	Entry/ Office	F04	Latch bolt operated by lever from either side, except when outside lever is made inoperative by a push button rocker. When outside lever is locked, latch bolt is retracted by key from outside or by operating inside lever. ***Auxiliary dead latch.
		RC-05 RB-05	Classroom	F05	Latch bolt operated by lever from either side, except when outside lever is locked from outside by key. When outside lever is locked, latch bolt may be retracted by key, or by operating key and outside lever or by operating inside lever. ***Auxiliary dead latch.
		RC-06	Holdback	F06	Latch bolt operated by lever either side, except when outside lever is locked from outside by key. Latch bolt can be locked in a retracted position by key. When outside lever is locked, latch bolt is retracted by key from outside or by operating inside lever unless latch bolt has been locked in a retracted position. ***Auxiliary dead bolt latch.
		RC-07 RB-07	Storeroom or Closet	F07	Latch bolt operated by key from outside or by rotating inside lever. Outside lever is always inoperative. ***Auxiliary dead latch.
		RC-08 RB-08	Front Door or Corridor Lock	F08	Latch bolt operated by lever from either side, except when outside lever is made inoperative by a push button rocker. Dead bolt is operated by turn inside. Key outside operates both bolts.
		RC-09 RB-09	Apartment / Exit or Public Toilet	F09	Latch bolt operated by lever from either side, except when outside lever is locked by key from inside. When outside lever is locked, latch bolt is retracted by key from outside or by operating inside lever. ***Auxiliary dead bolt latch.

Function Sheet



Outside	Inside	Series/ Function	Type	ANSI No.	Function Description
		RC-13 RB-13	Dormitory or Exit	F13	Latch bolt operated by lever from either side. Dead bolt projected by key from outside and thumb turn from inside. Operating inside lever retracts both bolts and unlocks outside.
		RC-14 RB-14	Store Door	F14	Latch bolt operated by lever from either side. Dead bolt operated by key from either side.
		RC-15 RB-15	Hotel or Guest	F15	Latch bolt operated by key from outside or by rotating inside lever. Outside lever is always inoperative. Dead bolt operated by thumb turn from inside and all keys except emergency and display key are shut out. Operating inside lever retracts both bolts. ***Auxiliary dead bolt latch.
		RC-16 RB-16	Deadlock	F16	Dead bolt operated by key on either side.
		RC-19 RB-19	Privacy or Bathroom	F19	Latch bolt operated by lever from either side. Dead bolt operated by turn from inside and emergency release from outside. Operating inside lever retracts both bolts.
		RC-20 RB-20	Entrance/ Apartment/ Dormitory	F20	Latch bolt operated by lever from either side, except when outside lever is made inoperative by push button rocker. Dead bolt projected by key from outside and by thumb turn from inside. Key outside operates both bolts. Operating inside lever retracts both bolts and outside remains locked. Latch bolt is deadlocked when outside lever is made inoperative or when the dead bolt is projected. When dead bolt is retracted, lever is unlocked by stop or mechanical means other than key.
		RC-21 RB-21	Dormitory with Dead bolt	F21	Latch bolt operated by lever either side. Dead bolt operated by key outside or by turn from inside.
		RC-22 RB-22	Privacy	F22	Latch bolt operated by lever from either side, except when outside lever is locked by inside turn. Operating inside lever, closing door or operating outside emergency release unlocks outside lever.

Function Sheet

Outside	Inside	Series/ Function	Type	ANSI No.	Function Description
		RC-29 RB-29	Classroom Dead bolt	F29	Key from outside operates dead bolt. Turn from inside retracts but does not project dead bolt.
		RC-30 RB-30	Institutional	F30	Latch bolt operated by key either side. Both levers always inoperative. ***Auxiliary dead bolt latch.
		RC-31 RB-31	Exit or Communicating	F31	Latch bolt operated by lever from inside. Non removable blank lever or no lever outside. ***Auxiliary dead bolt latch.
		RC-32 RB-32	Intruder Latch bolt	F32	Latch bolt operated by lever either side, except when outside lever is locked from inside or outside by key. When outside lever is locked, latch bolt is retracted by key from inside or outside or by operating inside lever. ***Auxiliary dead bolt latch
		RC-33 RB-33	Intruder Dead bolt	F33	Latch bolt operated by lever either side, except when outside lever is locked from inside or outside by key. Dead bolt operated by key either side. Inside lever retracts both bolts and unlocks outside lever.
		RC-35 RB-35	Storeroom with Dead bolt	F35	Latch bolt operated by lever from either side, except when outside lever is made inoperative by a stop or mechanical means other than key. Dead bolt operated by key from either side.



TownSteel[®]
Architectural Hardware MFG

PRODUCT CATALOG

CYLINDRICAL LOCKS

C

CYLINDRICAL LOCKS

Subindex

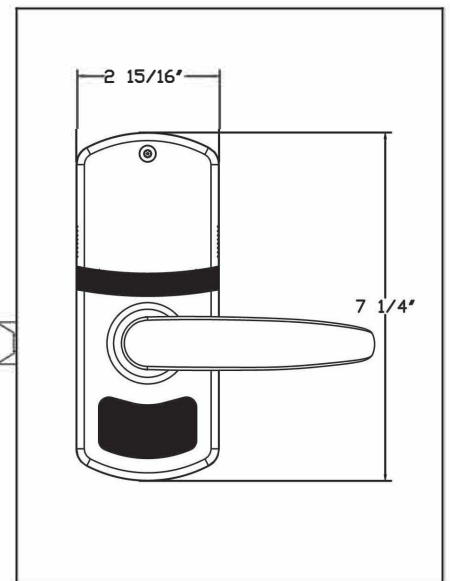
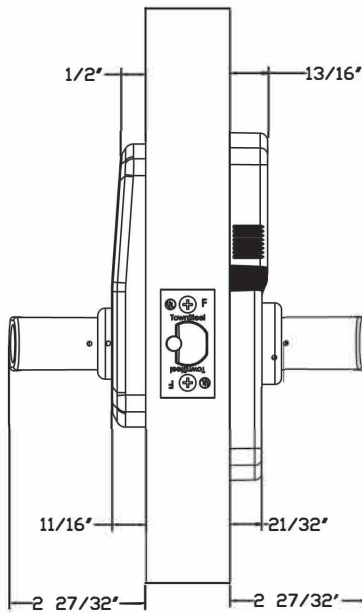
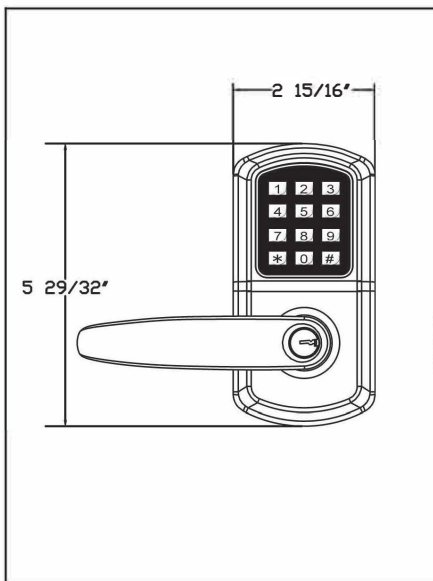
- 1 **e-Elite 2000**
Smart Electronic Cylindrical Lock
- 3 **e-Elite 4000**
Smart Electronic Cylindrical Lock
- 5 **e-Elite 5000**
Smart Electronic Cylindrical Lock
- 7 **e-Elite 2900**
Electronic Privacy Cylindrical Lock
- 9 **XCE-2000**
Standalone Motorized Cylindrical Lock
- 11 **FCE-2000**
Standalone Motorized Cylindrical Lock
- 13 **XCE-9000**
School Lockdown Cylindrical Lock
- 15 **FCE-4000**
School Lockdown Cylindrical Lock
- 17 **CE-M-30 / CEE Series**
Electrified Cylindrical Lock
- 19 **CE Series**
Mechanical Cylindrical Lock
- 22 **CDC/CD Series**
Mechanical Cylindrical Lock
- 25 **CS Series**
Mechanical Cylindrical Lock
- 26 **CSRC Series**
Mechanical Cylindrical Lock
- 27 **CB Series**
Mechanical Cylindrical Lock
- 29 **Cylindrical Lock Functions**

e-Elite 2000

Smart Electronic Cylindrical Lock



Profile



e-Elite 2000

Smart Electronic Cylindrical Lock

Mechanical Specifications

- Door Thickness: 1-3/4"
- Backset: 2-3/4" standard, optional: 2-3/8", 5"
- Clutched or Rigid trim
- Latch Bolt: Stainless steel, deadlocking, 1/2" throw
- Faceplate: 1-1/8" x 2-1/4"
- Strike: ASA strike standard, 1-1/4" x 4-7/8"
- Escutcheon: Steel or zinc alloy
- Lever: Zinc or stainless steel

Electronic Specifications

- Programmable at the lock
- Battery operated, no hard wiring required
- Low battery warning
- Standard 12-key illuminated keypad
- Non-volatile memory
- Weather resistant

Cylinder Specifications

Key in lever option:

- **SC:** Schlage® 6-pin with "C" keyway, standard
- **K6:** Kwikset® 6-pin with "KW" keyway
- **HS6:** High security 6-pin with TownSteel® "L" keyway
- **SF6:** Best® 6-pin, IC core with "A" keyway
- **SF7:** Best® 7-pin, IC core with "A" keyway
- **HS7:** High security 7-pin, IC core with TownSteel® "L" keyway

Less cylinder option:

- **SF:** Schlage® small format IC, SFIC
- **SLF:** Schlage® large format IC, SLFIC
- **CLF:** Corbin® large format IC, CLFIC

Finishes

- **619:** US15, Satin Nickel
- **622:** US19, Flat Black
- **626:** US26D, Satin Chrome, Or special color upon request

Available Lever Styles



Programming Features

- **Master Code-** programs all User Codes, Service codes. System Setting and opens the lock.
- **User Code-** are programmed by Master Code and used to operate the lock.
- **Service Code-** allows one entry per code and deleted after used.
- **Pin Code-** 4-6 digits (Master Code and User Code must be the same length)
- **Passage Mode-** remain door actively unlocked until disabled by Master Code.
- **100 User Codes, 5 Service Codes capacity.**
- **Programming via keypad at the lock.**

Code Compliance

- ANSI/BHMA A156.2 Grade 1 certified
- UL 10C-3 hour rated
- Meets guidelines of Buy American Act
- Meets requirements of the Americans with Disabilities Act



Warranty

- 2-year limited for electronic
- 10-year limited for mechanical

How To Order	
Series	e-Elite 2000
Lockbody	1: Rigid / 2: Clutched
Lever Style	S: Sentinel / Q: Quest / G: Gala / W: Wolfsburg / WR: Wolfsburg R
Handing	RH / LH / RHR / LHR
Finish	619: US15, Satin Nickel / 622: US19, Flat Black 626: US26D, Satin Chrome Or special color upon request
Cylinder	SC / K6 / SF / SF6 / SF7 / SLF / CLF / HS6 / HS7 * KD standard, KA, MK, GMK, GGMK upon request
Backset	Blank: 2-3/4" / R: 2-3/8" / E: 5"

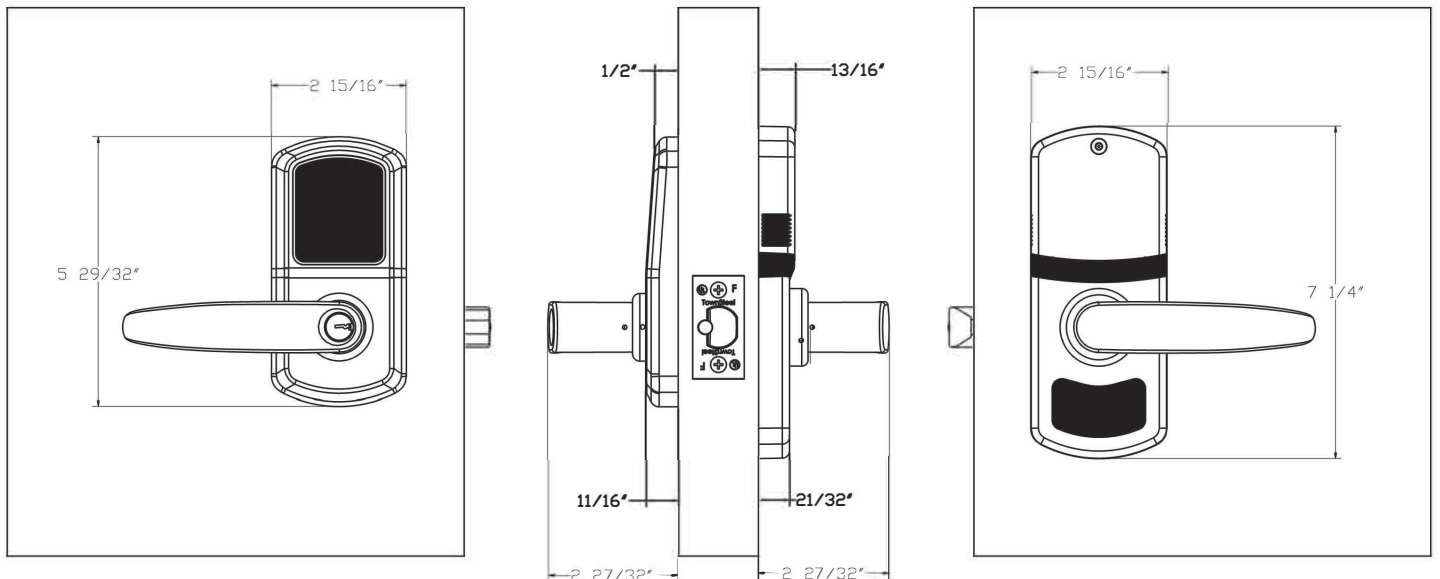


e-Elite 4000

Smart Electronic Cylindrical Lock



Profile



e-Elite 4000

Smart Electronic Cylindrical Lock

Mechanical Specifications

- Door Thickness: 1-3/4"
- Backset: 2-3/4" standard, optional: 2-3/8", 5"
- Clutched or Rigid trim
- Latch Bolt: Stainless steel, deadlocking, 1/2" throw
- Faceplate: 1-1/8" x 2-1/4"
- Strike: ASA strike standard, 1-1/4" x 4-7/8"
- Escutcheon: Steel or zinc alloy
- Lever: Zinc or stainless steel

Electronic Specifications

- Programmable at the lock
- Battery operated, no hard wiring required
- Low battery warning
- Standard 12-key illuminated keypad
- Non-volatile memory
- Weather resistant

Cylinder Specifications

Key in lever option:

- **SC:** Schlage® 6-pin with "C" keyway, standard
- **K6:** Kwikset® 6-pin with "KW" keyway
- **HS6:** High security 6-pin with TownSteel® "L" keyway
- **SF6:** Best® 6-pin, IC core with "A" keyway
- **SF7:** Best® 7-pin, IC core with "A" keyway
- **HS7:** High security 7-pin, IC core with TownSteel® "L" keyway

Less cylinder option:

- **SF:** Schlage® small format IC, SFIC
- **SLF:** Schlage® large format IC, SLFIC
- **CLF:** Corbin® large format IC, CLFIC

Finishes

- **619:** US15, Satin Nickel
- **622:** US19, Flat Black
- **626:** US26D, Satin Chrome, Or special color upon request

Available Lever Styles



Programming Features

- **Master Code-** programs all User Codes, Keycards / Fobs (Credentials). System Setting and opens the lock.
- **User Code-** are programmed by Master Code and used to operate the lock.
- **User Keycard/Fob-** are programmed by Master Code and used to operate the lock. Can be programmed into the lock.
- **Pin Code-** 6-10 digits (Master Code or User Code do not need to be the same length)
- **Passage Mode-** remain door actively unlocked until the Master Code or the Passage Credential is re-entered.
- **Dual Verification Mode-** requires two valid credentials to unlock the door for high security requirements.
- **LED indicator located around the keypad of the lock and flashes green/red LED dependent on inputs.**
- **Keypad sound adjustable.**
- **400 User Codes interchangeable with Keycard/Fobs, 1 Master Code.**
- **Programming at the lock.**

Code Compliance

- ANSI/BHMA A156.2 Grade 1 certified
- UL 10C-3 hour rated
- Meets guidelines of Buy American Act
- Meets requirements of the Americans with Disabilities Act



Warranty

- 2-year limited for electronic
- 10-year limited for mechanical

How To Order

Series	e-Elite 4000
Lockbody	1: Rigid / 2: Clutched
Lever Style	S: Sentinel / Q: Quest / G: Gala / W: Wolfsburg / WR: Wolfsburg R
Handing	RH / LH / RHR / LHR
Finish	619: US15, Satin Nickel / 622: US19, Flat Black / 626: US26D, Satin Chrome / Or special color upon request
Cylinder	SC / K6 / SF / SF6 / SF7 / SLF / CLF / HS6 / HS7 / * KD standard, KA, MK, GMK, GGMK upon request
Backset	Blank: 2-3/4" / R: 2-3/8" / E: 5"

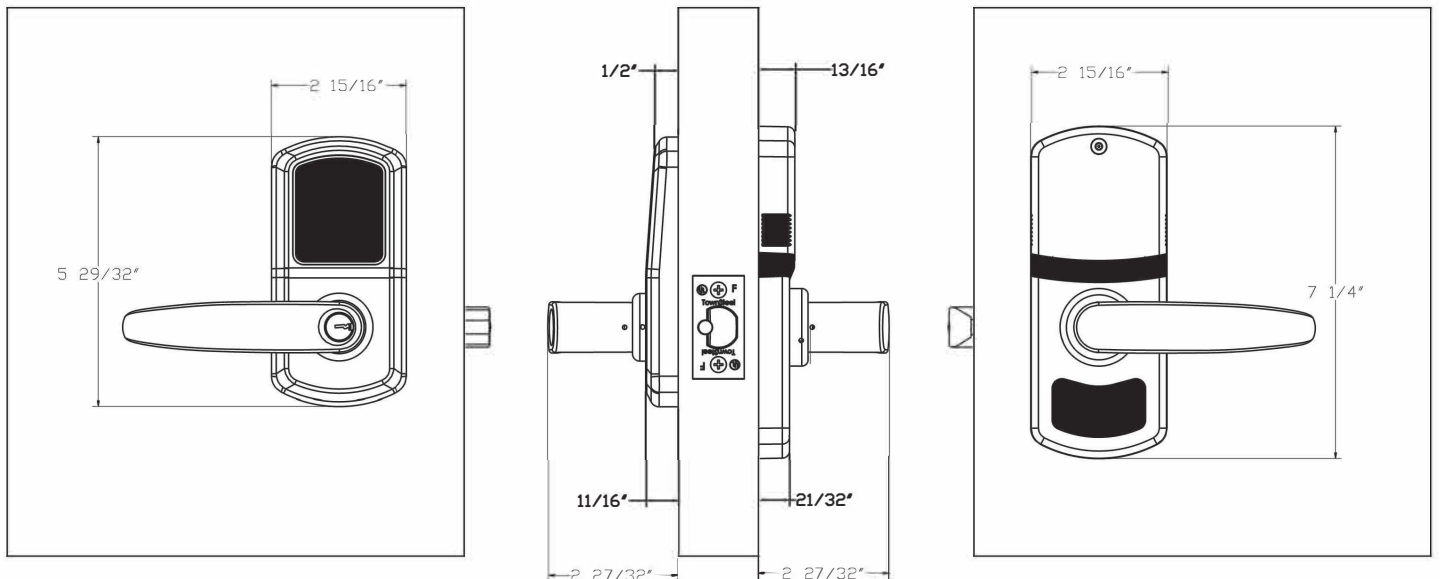


e-Elite 5000

Smart Electronic Cylindrical Lock



Profile



e-Elite 5000

Smart Electronic Cylindrical Lock

Mechanical Specifications

- Door Thickness: 1-3/4"
- Backset: 2-3/4" standard, optional: 2-3/8", 5"
- Clutched or Rigid trim
- Latch Bolt: Stainless steel, deadlocking, 1/2" throw
- Faceplate: 1-1/8" x 2-1/4"
- Strike: ASA strike standard, 1-1/4" x 4-7/8"
- Escutcheon: Steel or zinc alloy
- Lever: Zinc or stainless steel

Electronic Specifications

- Programmable at the lock
- Battery operated, no hard wiring required
- Low battery warning
- Standard 12-key illuminated keypad
- Non-volatile memory
- Weather resistant

Cylinder Specifications

Key in lever option:

- **SC:** Schlage® 6-pin with "C" keyway, standard
- **K6:** Kwikset® 6-pin with "KW" keyway
- **HS6:** High security 6-pin with TownSteel® "L" keyway
- **SF6:** Best® 6-pin, IC core with "A" keyway
- **SF7:** Best® 7-pin, IC core with "A" keyway
- **HS7:** High security 7-pin, IC core with TownSteel® "L" keyway

Less cylinder option:

- **SF:** Schlage® small format IC, SFIC
- **SLF:** Schlage® large format IC, SLFIC
- **CLF:** Corbin® large format IC, CLFIC

Finishes

- **619:** US15, Satin Nickel
- **622:** US19, Flat Black
- **626:** US26D, Satin Chrome, Or special color upon request

Available Lever Styles



Programming Features

- **Master Code-** programs all User Codes, Keycards / Fobs (Credentials). System Setting and opens the lock.
- **User Code-** are programmed by Master Code and used to operate the lock.
- **User Keycard/Fob-** are programmed by Master Code and used to operate the lock. Can be programmed into the lock.
- **Pin Code-** 6-10 digits (Master Code or User Code do not need to be the same code length)
- **Passage Mode-** remain door actively unlocked until the Master Code or the Passage Credential is re-entered.
- **Dual Verification Mode-** requires two valid credentials to unlock the door for high security requirements.
- **LED indicator located around the keypad of the lock and flashes green/red LED dependent on inputs.**
- **Keypad sound adjustable.**
- **400 User Codes interchangeable with Keycard/Fobs, 1 Master Code.**
- **Programming at the lock via Wi-Fi or BLE.**

Code Compliance

- ANSI/BHMA A156.2 Grade 1 certified
- UL 10C-3 hour rated
- Meets guidelines of Buy American Act
- Meets requirements of the Americans with Disabilities Act



Warranty

- 2-year limited for electronic
- 10-year limited for mechanical

How To Order	
Series	e-Elite 5000
Lockbody	1: Rigid / 2: Clutched
Wireless Connection	B: Bluetooth / R: Wi-Fi
Lever Style	S: Sentinel / Q: Quest / G: Gala / W: Wolfsburg / WR: Wolfsburg R
Handing	RH / LH / RHR / LHR
Finish	619: US15, Satin Nickel / 622: US19, Flat Black / 626: US26D, Satin Chrome / Or special color upon request
Cylinder	SC / K6 / SF / SF6 / SF7 / SLF / CLF / HS6 / HS7 * KD standard, KA, MK, GMK, GGMK upon request
Backset	Blank: 2-3/4" / R: 2-3/8" / E: 5"

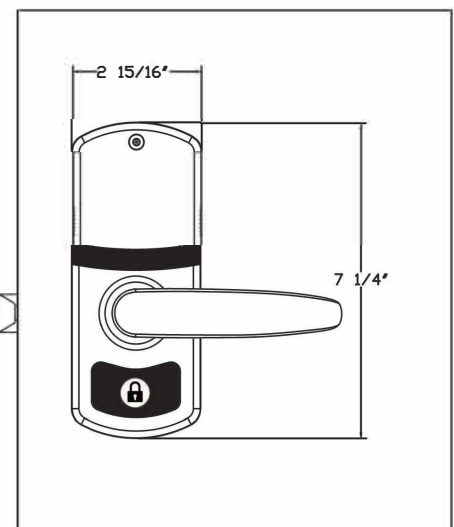
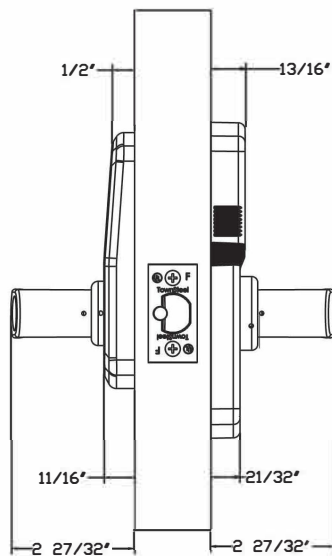
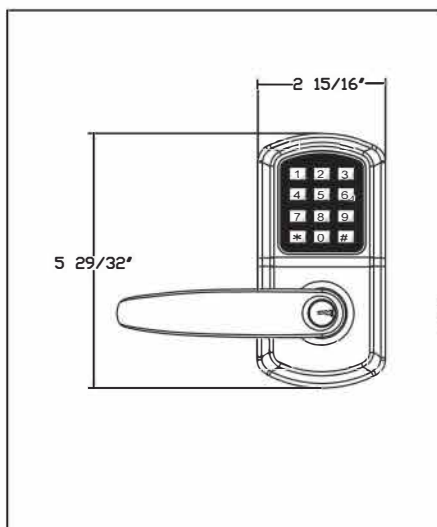


e-Elite 2900

Electronic Privacy Cylindrical Lock



Profile



e-Elite 2900

Electronic Privacy Cylindrical Lock

Mechanical Specifications

- Door Thickness: 1-3/4"
- Backset: 2-3/4" standard, optional: 2-3/8", 5"
- Clutched or Rigid trim
- Latch Bolt: Stainless steel, deadlocking, 1/2" throw
- Faceplate: 1-1/8" x 2-1/4"
- Strike: ASA strike standard, 1-1/4" x 4-7/8"
- Escutcheon: Steel or zinc alloy
- Lever: Zinc or stainless steel

Electronic Specifications

- Programmable at the lock
- Battery operated, no hard wiring required
- Low battery warning
- Standard 12-key illuminated keypad
- Non-volatile memory
- Weather resistant

Cylinder Specifications

Key in lever option:

- **SC:** Schlage® 6-pin with "C" keyway, standard
- **K6:** Kwikset® 6-pin with "KW" keyway
- **HS6:** High security 6-pin with TownSteel® "L" keyway
- **SF6:** Best® 6-pin, IC core with "A" keyway
- **SF7:** Best® 7-pin, IC core with "A" keyway
- **HS7:** High security 7-pin, IC core with TownSteel® "L" keyway

Less cylinder option:

- **SF:** Schlage® small format IC, SFIC
- **SLF:** Schlage® large format IC, SLFIC
- **CLF:** Corbin® large format IC, CLFIC

Finishes

- **619:** US15, Satin Nickel
- **622:** US19, Flat Black
- **626:** US26D, Satin Chrome, Or special color upon request

Available Lever Styles



Programming Features

- **Master Code-** programs all User Codes, Manager Codes, Service Codes, System Setting and opens the lock, can override Privacy mode, and enable or disable Passage mode
- **Manager Code-** programs User Codes under the same group
- **User Code-** used to unlock the lock and programmed by Master Code or Manager Code
- **Service Code-** allows one entry per code and deleted after used
- **Pin Code-** 4-6 digits
- **Passage Mode-** remain door actively unlocked until disabled by Master Code
- **Privacy Function-** designed to allow access to individuals with User Codes and Service Codes, used for rooms needing privacy from others such as bathrooms, rest areas and meeting rooms
- **LED indicator located around the keypad of the lock and flashes green/red LED dependent on inputs**
- **Keypad sound adjustable**
- **100 User Codes, 5 Master Codes, 5 Service Codes capacity**
- **Programmable via keypad at the lock**

Code Compliance

- ANSI/BHMA A156.2 Grade 1 certified
- UL 10C-3 hour rated
- Meets guidelines of Buy American Act
- Meets requirements of the Americans with Disabilities Act



Warranty

- 2-year limited for electronic
- 10-year limited for mechanical

How To Order	
Series	e-Elite 2900
Lockbody	1: Rigid / 2: Clutched
Lever Style	S: Sentinel / Q: Quest / G: Gala / W: Wolfsburg / WR: Wolfsburg R
Handing	RH / LH / RHR / LHR
Finish	619: US15, Satin Nickel / 622: US19, Flat Black / 626: US26D, Satin Chrome Or special color upon request
Cylinder	SC / K6 / SF / SF6 / SF7 / SLF / CLF / HS6 / HS7 *KD standard, KA, MK, GMK, GGMK upon request
Backset	Blank: 2-3/4" / R: 2-3/8" / E: 5"

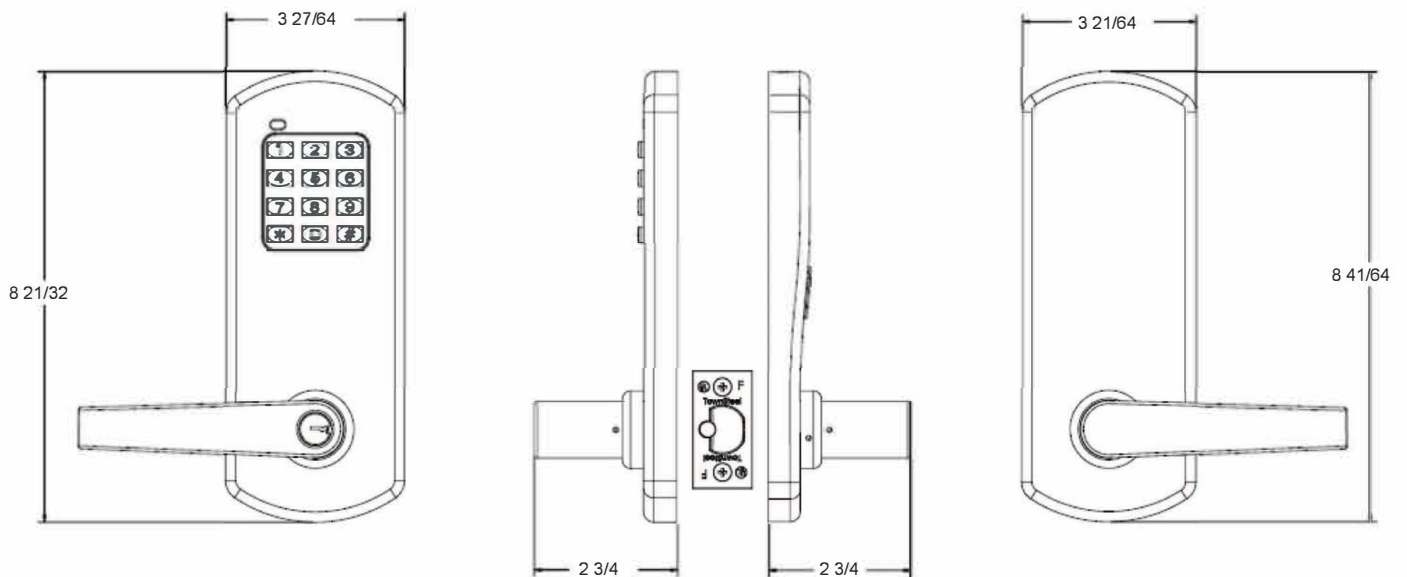


XCE-2000

Standalone Motorized Cylindrical Lock



Profile



XCE-2000

Standalone Motorized Cylindrical Lock

Mechanical Specifications

- Door Thickness: 1-3/4"
- Backset: 2-3/4" standard, optional: 2-3/8", 5"
- Clutched or Rigid trim
- Latch Bolt: Stainless steel, deadlocking, 1/2" throw
- Faceplate: 1-1/8" x 2-1/4"
- Strike: ASA strike standard, 1-1/4" x 4-7/8"
- Escutcheon: Steel or zinc alloy
- Lever: Zinc or stainless steel

Electronic Specifications

- Programmable at the lock
- Battery operated, no hard wiring required
- Low battery warning
- Standard 12-key illuminated keypad
- Non-volatile memory
- Weather resistant

Cylinder Specifications

Key in lever option:

- **SC:** Schlage® 6-pin with "C" keyway, standard
- **K6:** Kwikset® 6-pin with "KW" keyway
- **HS6:** High security 6-pin with TownSteel® "L" keyway
- **SF6:** Best® 6-pin, IC core with "A" keyway
- **SF7:** Best® 7-pin, IC core with "A" keyway
- **HS7:** High security 7-pin, IC core with TownSteel® "L" keyway

Less cylinder option:

- **SF:** Schlage® small format IC, SFIC
- **SLF:** Schlage® large format IC, SLFIC
- **CLF:** Corbin® large format IC, CLFIC

Finishes

- **622:** US19, Flat Black
- **626:** US26D, Satin Chrome
Or special color upon request

Available Lever Styles



Programming Features

- **Master Code-** programs all User Codes, Service Codes, System Setting and opens the lock
- **User Code-** are programmed by Master Code and used to operate the lock
- **Service Code-** allows one entry per code and deleted after used
- **Pin Code-** 4-6 digits
- **Passage Mode-** remain door actively unlocked until disabled by Master Code
- **LED indicator** located around the keypad of the lock and flashes green/red LED dependent on inputs
- **Keypad sound adjustable**
- **100 User Codes, 5 Service Codes capacity**
- **Programmable via keypad at the lock**
- **Remote Access Terminal** for remote control button connection
- **Manager Code and Group Function** as available options per request

Code Compliance

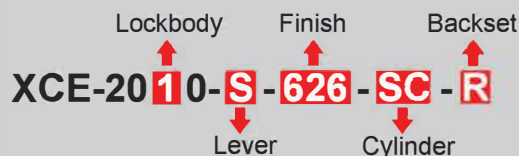
- ANSI/BHMA A156.2 Grade 1 certified
- UL 10C-3 hour rated
- Meets guidelines of Buy American Act
- Meets requirements of the Americans with Disabilities Act



Warranty

- 2-year limited for electronic
- 10-year limited for mechanical

How To Order	
Series	XCE-2000
Lockbody	1: Rigid / 2: Clutched
Lever Style	S: Sentinel / Q: Quest / G: Gala / W: Wolfsburg / WR: Wolfsburg R
Finish	622: US19, Flat Black / 626: US26D, Satin Chrome Or special color upon request
Cylinder	SC / K6 / SF / SF6 / SF7 / SLF / GLM / HS6 / HS7 *KD standard, KA, MK, GMK, GGMK upon request
Backset	Blank: 2-3/4" / R: 2-3/8" / E: 5"

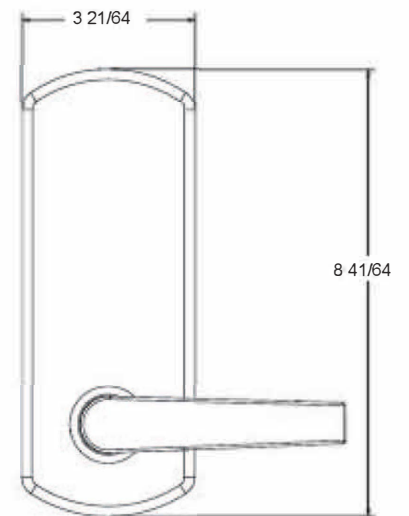
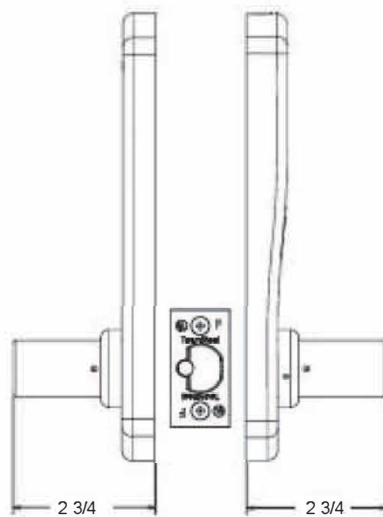


FCE-2000

Standalone Motorized Cylindrical Lock



Profile



FCE-2000

Standalone Motorized Cylindrical Lock

Mechanical Specifications

- Door Thickness: 1-3/4"
- Backset: 2-3/4" standard, optional: 2-3/8", 5"
- Clutched or Rigid trim
- Latch Bolt: Stainless steel, deadlocking, 1/2" throw
- Faceplate: 1-1/8" x 2-1/4"
- Strike: ASA strike standard, 1-1/4" x 4-7/8"
- Escutcheon: Steel or zinc alloy
- Lever: Zinc or stainless steel

Electronic Specifications

- Programmable at the lock with Keycards
- Battery operated, no hard wiring required
- Low battery warning
- Encrypted Keycards, 8-bit Universal Identification (UID)
- Mifare technology with NFC tag
- Vandal Resistant RFID reader
- Non-volatile memory
- Weather resistant lock

Cylinder Specifications

Key in lever option:

- **SC:** Schlage® 6-pin with "C" keyway, standard
- **K6:** Kwikset® 6-pin with "KW" keyway
- **HS6:** High security 6-pin with TownSteel® "L" keyway
- **SF6:** Best® 6-pin, IC core with "A" keyway
- **SF7:** Best® 7-pin, IC core with "A" keyway
- **HS7:** High security 7-pin, IC core with TownSteel® "L" keyway

Less cylinder option:

- **SF:** Schlage® small format IC, SFIC
- **SLF:** Schlage® large format IC, SLFIC
- **CLF:** Corbin® large format IC, CLFIC

Finishes

- **622:** US19, Flat Black
- **626:** US26D, Satin Chrome
- Or special color upon request

Available Lever Styles



Programming Features

- **Construction Keycard-** used for opening the lock in the Factory and remain the door relock within 5 seconds after opening
- **User Keycard-** use to open the lock once programmed and remain the lock relock within 5 seconds after opening
- **Office Keycard-** use to open the lock once programmed. Open the lock and allow the lock to remain open until next code entry
- **Programming Keycard-** use for programming User Keycards, Office Keycards and importing information into the lock
- **Clear Keycard-** use for deleting User Keycards, Office Keycards and exporting information from the lock
- **Register Keycard-** use as a backup if the programming and/or Clear Keycards are lost Up to 250 Keycards programmed into each lock (combined total of User and Office Keycards)

Code Compliance

- ANSI/BHMA A156.2 Grade 1 certified
- UL 10C-3 hour rated
- Meets guidelines of Buy American Act
- Meets requirements of the Americans with Disabilities Act



Warranty

- 2-year limited for electronic
- 10-year limited for mechanical

How To Order

Series	FCE-2000
Lockbody	1: Rigid / 2: Clutched
Lever Style	S: Sentinel / Q: Quest / G: Gala / W: Wolfsburg / WR: Wolfsburg R
Finish	622: US19, Flat Black / 626: US26D, Satin Chrome Or special color upon request
Cylinder	SC / K6 / SF / SF6 / SF7 / SLF / CLF / HS6 / HS7 *KD standard, KA, MK, GMK, GGMK upon request
Backset	Blank: 2-3/4" / R: 2-3/8" / E: 5"



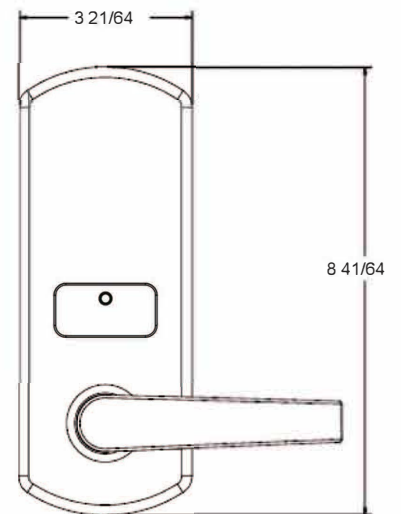
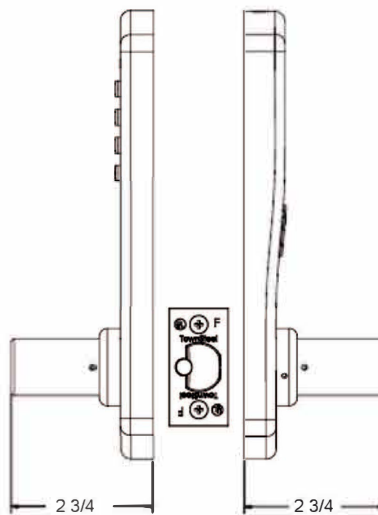
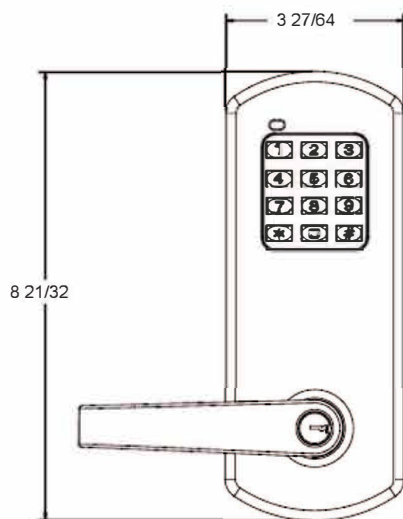
XCE-9000

School Lockdown Cylindrical Lock



REMOTE CONTROL

Profile



XCE-9000

School Lockdown Cylindrical Lock

Mechanical Specifications

- Door Thickness: 1-3/4"
- Backset: 2-3/4" standard, optional: 2-3/8", 5"
- Clutched or Rigid trim
- Latch Bolt: Stainless steel, deadlocking, 1/2" throw
- Faceplate: 1-1/8" x 2-1/4"
- Strike: ASA strike standard, 1-1/4" x 4-7/8"
- Escutcheon: Steel or zinc alloy
- Lever: Zinc or stainless steel

Electronic Specifications

- Programmable at the lock
- Battery operated, no hard wiring required
- Low battery warning
- Standard 12-key illuminated keypad
- Non-volatile memory
- Weather resistant

Cylinder Specifications

Key in lever option:

- **SC:** Schlage® 6-pin with "C" keyway, standard
- **K6:** Kwikset® 6-pin with "KW" keyway
- **HS6:** High security 6-pin with TownSteel® "L" keyway
- **SF6:** Best® 6-pin, IC core with "A" keyway
- **SF7:** Best® 7-pin, IC core with "A" keyway
- **HS7:** High security 7-pin, IC core with TownSteel® "L" keyway

Less cylinder option:

- **SF:** Schlage® small format IC, SFIC
- **SLF:** Schlage® large format IC, SLFIC
- **CLF:** Corbin® large format IC, CLFIC

Finishes

- **622:** US19, Flat Black
- **626:** US26D, Satin Chrome
Or special color upon request

Available Lever Styles



Programming Features

- **Master Code-** programs all other codes, and System Setting and opens the lock
- **User Code-** Address 01-10 and reusable. Used to unlock the door
- **Office Code-** Address 11-90 and reusable. Used to unlock the lock and remains lock mode until next code entry
- **Lockdown Cancellation Code-** Address 91-99 and reusable. Used to override the lock down mode initiated by triggering the remote-control emergency device
- **Lockdown Mode-** initiated by remote control. 2 second pass time. Can only be cancelled by a Lockdown Cancellation Code
- **Code Length-** 4-6 digits
- **Remote Control-** Used to lock the door down in emergencies. Enacts Lockdown Mode 1 second. 75 feet inside and 25 feet outside effective range. Can connect with unlimited number of doors locks
- **Programmable via keypad at the lock**

Code Compliance

- ANSI/BHMA A156.2 Grade 1 certified
- UL 10C-3 hour rated
- Meets guidelines of Buy American Act
- Meets requirements of the Americans with Disabilities Act

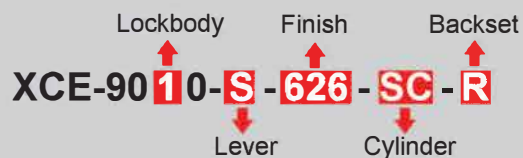


Warranty

- 2-year limited for electronic
- 10-year limited for mechanical

How To Order

Series	XCE-9000
Lockbody	1: Rigid / 2: Clutched
Lever Style	S: Sentinel / Q: Quest / G: Gala / W: Wolfsburg / WR: Wolfsburg R
Finish	622: US19, Flat Black / 626: US26D, Satin Chrome Or special color upon request
Cylinder	SC / K6 / SF / SF6 / SF7 / SLF / CLF / HS6 / HS7 *KD standard, KA, MK, GMK, GGMK upon request
Backset	Blank: 2-3/4" / R: 2-3/8" / E: 5"



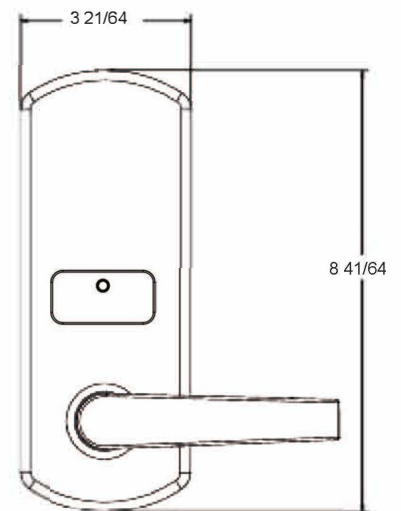
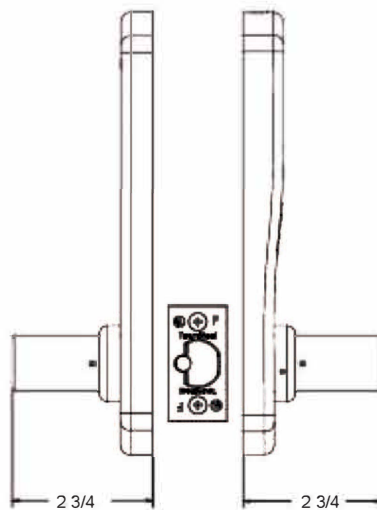
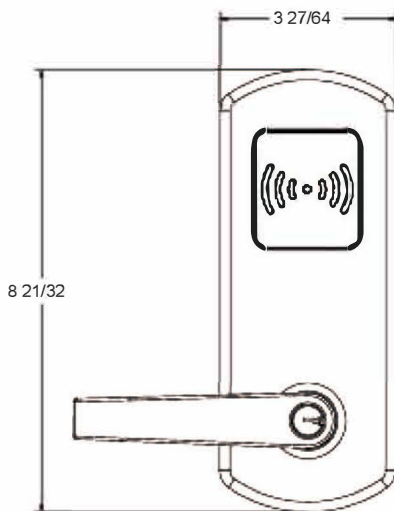
FCE-4000

School Lockdown Cylindrical Lock



REMOTE CONTROL

Profile



FCE-4000

School Lockdown Cylindrical Lock

Mechanical Specifications

- Door Thickness: 1-3/4"
- Backset: 2-3/4" standard, optional: 2-3/8", 5"
- Clutched or Rigid trim
- Latch Bolt: Stainless steel, deadlocking, 1/2" throw
- Faceplate: 1-1/8" x 2-1/4"
- Strike: ASA strike standard, 1-1/4" x 4-7/8"
- Escutcheon: Steel or zinc alloy
- Lever: Zinc or stainless steel

Electronic Specifications

- Programmable at the lock with Keycards
- Battery operated, no hard wiring required
- Low battery warning
- Encrypted Keycards, 8-bit Universal Identification (UID)
- Mifare technology with NFC tag
- Vandal Resistant RFID reader
- Non-volatile memory
- Weather resistant

Cylinder Specifications

Key in lever option:

- **SC:** Schlage® 6-pin with "C" keyway, standard
- **K6:** Kwikset® 6-pin with "KW" keyway
- **HS6:** High security 6-pin with TownSteel® "L" keyway
- **SF6:** Best® 6-pin, IC core with "A" keyway
- **SF7:** Best® 7-pin, IC core with "A" keyway
- **HS7:** High security 7-pin, IC core with TownSteel® "L" keyway

Less cylinder option:

- **SF:** Schlage® small format IC, SFIC
- **SLF:** Schlage® large format IC, SLFIC
- **CLF:** Corbin® large format IC, CLFIC

Finishes

- **622:** US19, Flat Black
- **626:** US26D, Satin Chrome, Or special color upon request

Available Lever Styles



Programming Features

- **Construction Keycard-** used for opening the lock in the Factory and remain the door relock within 5 seconds after opening
- **User Keycard-** use to open the lock once programmed and remain the lock relock within 5 seconds after opening. open the lock and relock within 2 seconds during lockdown
- **Office Keycard-** use to open the lock once programmed. Open the lock and allow the lock to remain open until next code entry. open the lock and relock within 2 seconds during lockdown
- **Remote Control-** Used to lock the door down in emergencies. Enacts Lockdown Mode 2 second, 75 feet inside and 25 feet outside effective range. Can connect with unlimited number of door locks
- **Lockdown Cancellation Keycard-** Used to override the lock down mode initiated by triggering the Remote Control
- **Lockdown Mode-** Initiated by Remote Control. 2 second pass time. Can only be cancelled by a Lockdown Cancellation Code

Code Compliance

- ANSI/BHMA A156.2 Grade 1 certified
- UL 10C-3 hour rated
- Meets guidelines of Buy American Act
- Meets requirements of the Americans with Disabilities Act



Warranty

- 2-year limited for electronic
- 10-year limited for mechanical

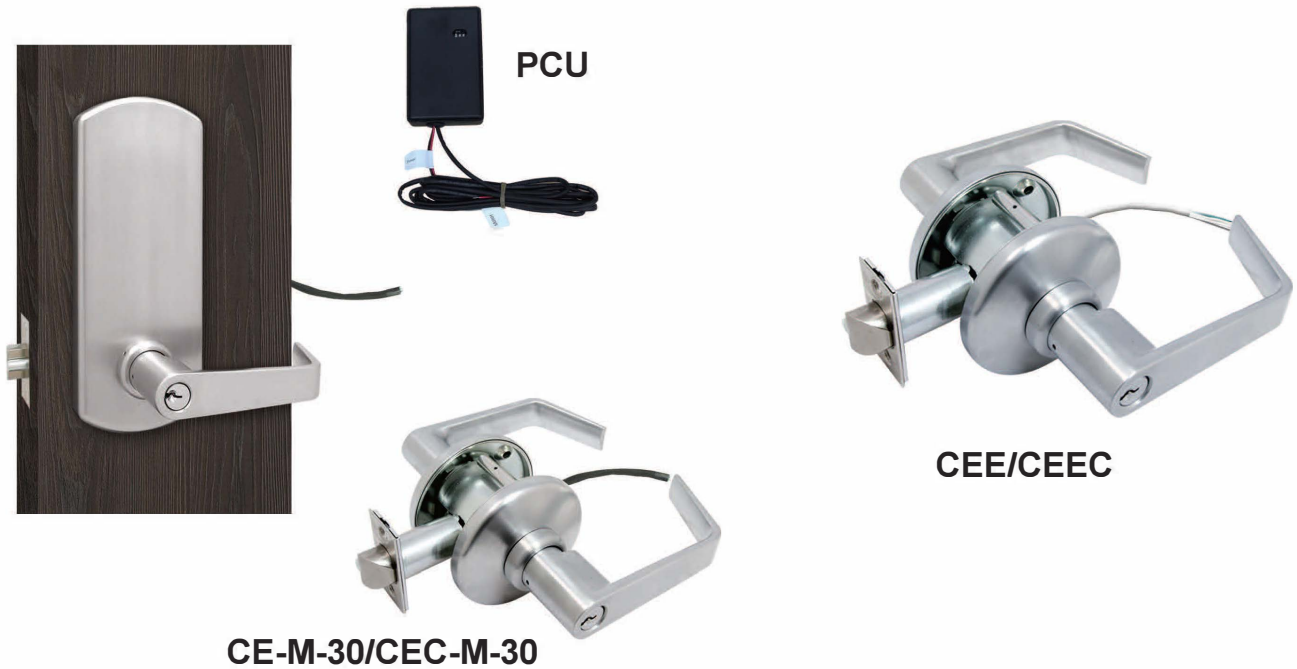
How To Order

Series	FCE-4000
Lockbody	1: Rigid / 2: Clutched
Lever Style	S: Sentinel / Q: Quest / G: Gala / W: Wolfsburg / WR: Wolfsburg R
Handing	RH / LH / RHR / LHR
Finish	622: US19, Flat Black / 626: US26D, Satin Chrome Or special color upon request
Cylinder	SC / K6 / SF / SF6 / SF7 / SLF / CLF / HS6 / HS7 *KD standard, KA, MK, GMK, GGMK upon request
Backset	Blank: 2-3/4" / R: 2-3/8" / E: 5"



CE-M-30 / CEE Series

Electrified Cylindrical Lock



Available Lever Styles



Specifications:

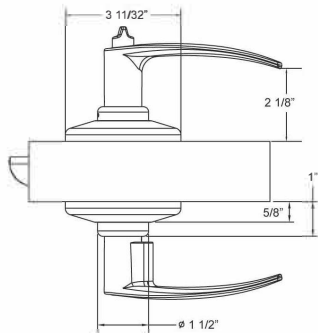
Finish	619 (US15), 622 (US19), 626 (US26D) stocked or special color upon request
Lever Style	Sentinel, Quest or Gala; Handing field-adjustable
Backset	2-3/4", 2-3/8" or 5"
Cylinder	Key in option with Schlage® 6-pin, Kwikset® 6-pin, High security 6-pin, Best® 6-pin, IC core, Best® 7-pin, IC core; Less cylinder option with Schlage® small format IC, Schlage® large format IC, Corbin® large format IC
Lockbody	Clutched or Rigid
Output Options	<ul style="list-style-type: none">• Solenoid units 12 or 24 VDC installations; Motorized units 10 - 30 VDC• All motorized units are field adjustable for Fail Safe or Fail Secure
ANSI/BHMA A156.2	Grade 1 certified
ANSI/BHMA A156.25	Meets Industry Standards
UL/ULC	UL10C 3-hour rated
BAA	Meets guidelines of the Buy American Act
ADA	Meets requirements of The Americans with Disabilities Act



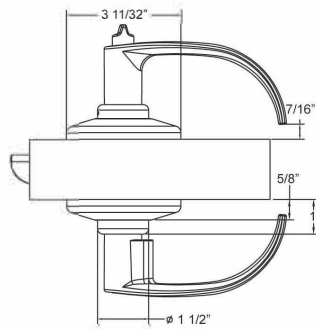
CE-M-30 / CEE Series

Electrified Cylindrical Lock

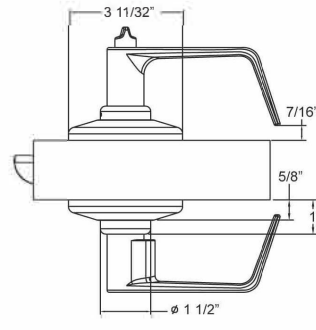
Profile



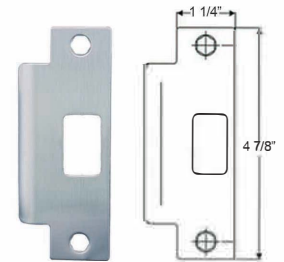
Gala



Quest



Sentinel



ASA Strike

How To Order

Series	Output	Lever	Finish	Cylinder	Backset
CE-84M: Motorized non-Clutched Trim	10-30 VDC; Fail Safe and Fail Secure field adjustable	S: Sentinel Q: Quest	619: US15, Satin Nickel	Key in lever option: SC: Schlage® 6-pin with "C" keyway, standard K6: Kwikset® 6-pin with "KW" keyway HS6: High security 6-pin with TownSteel® "L" keyway SF6: Best® 6-pin, IC core with "A" keyway SF7: Best® 7-pin, IC core with "A" keyway HS7: High security 7-pin, IC core with TownSteel® "L" keyway Less cylinder option: SF: Schlage® small format IC, SFIC SLF: Schlage® large format IC, SLFIC CLF: Corbin® large format IC, CLFIC *KD standard, KA, MK, GMK, GGMK upon request	Blank: 2-3/4" R: 2-3/8" E: 5"
CEC-84M: Motorized Clutched Trim			622: US19, Flat Black		
CEE-84: Solenoid non-Clutched Trim	12SF:12VDC Fail Safe 12SS:12VDC Fail Secure	G: Gala W: Wolfsburg WR: Wolfsburg R	626: US26D, Satin Chrome Or special color upon request		
CEEC-84: Solenoid Clutched Trim	24SF:24VDC Fail Safe 24SS:24VDC Fail Secure				

Example:

CEC - 84M - 30 - S - 626 - SF - R

CEC-84M: Motorized Clutched Trim with F84 cylindrical function _____
 30: 10-30 VDC with field adjustable Fail Safe and Fail Secure _____
 S: Sentinel lever _____
 626: US26D _____
 SF: Schlage® small format IC, SFIC, less cylinder core option _____
 R: 2-3/8" backset _____

Example:

CEE - 8412SF - S - 626 - SF - R

CEE-84: Solenoid non-Clutch Trim _____
 12SF: 12VDC Fail Safe _____
 S: Sentinel lever _____
 626: US26D _____
 SF: Schlage® small format IC, SFIC, less cylinder core option _____
 R: 2-3/8" backset _____

CE Series

Heavy Duty Cylindrical Lockset



Available Lever Styles



Sentinel(S)



Quest(Q)



Gala(G)



Wolfsburg(W)



Wolfsburg R(WR)

Specifications:

Finish 619 (US15), 622 (US19), 626 (US26D) stocked or special color upon request

Lever Style Sentinel, Quest or Gala

Backset 2-3/4", 2-3/8" or 5"

Cylinder Key in option with Schlage® 6-pin, Kwikset® 6-pin, High security 6-pin, Best® 6-pin, IC core, Best® 7-pin, IC core; High security 7-pin, IC core, Less cylinder option with Schlage® small format IC, Schlage® large format IC, Corbin® large format IC

Lockbody Clutched or Rigid

Function ANSI F-75, 76, 77, 82, 84, 86, 87, 89, 90, 109

ANSI/BHMA A156.2

Series 4000 Grade 1 certified

UL UL 10C 3-hour rated

BAA Meets guidelines of the Buy American Act

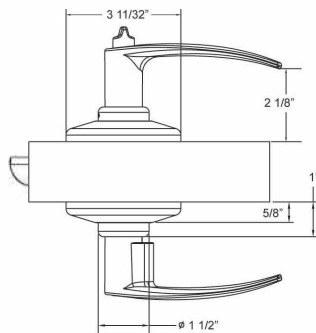
ADA Meets requirements of the Americans with Disabilities Act



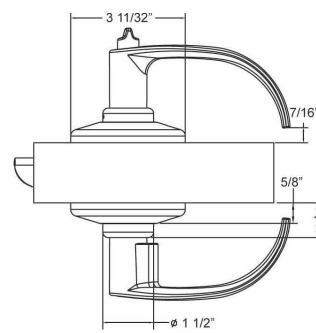
CE Series

Heavy Duty Cylindrical Lockset

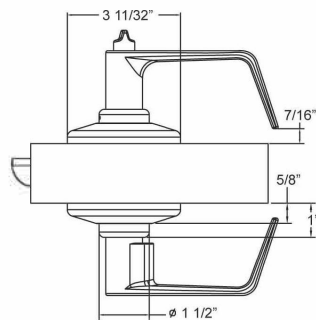
Profile



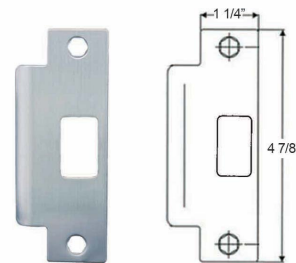
Gala



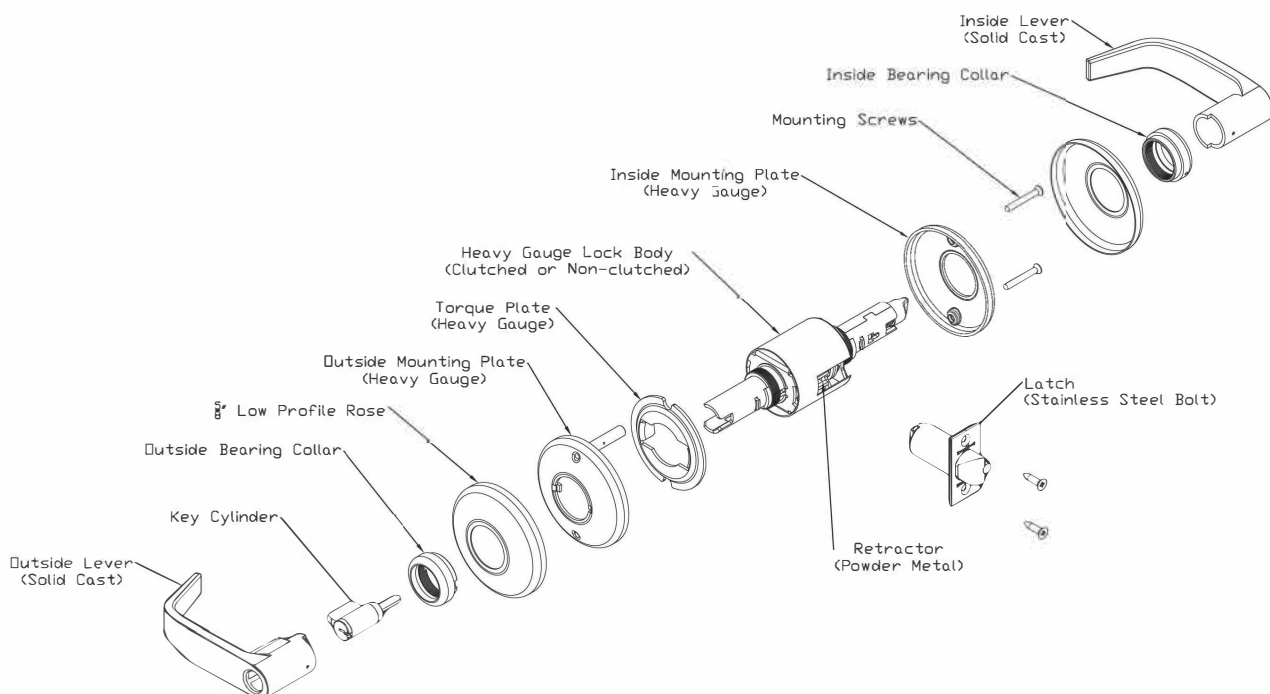
Quest



Sentinel



ASA Strike



CE Series

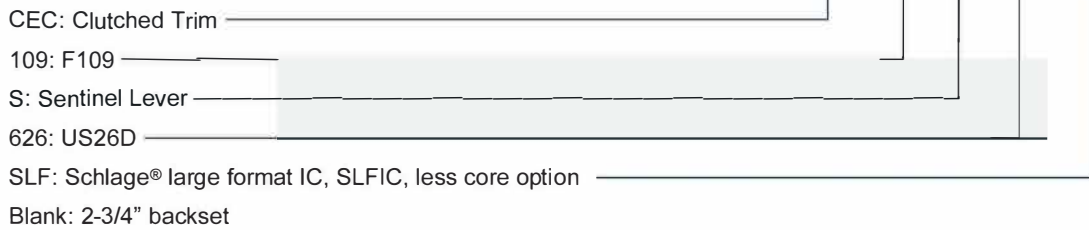
Heavy Duty Cylindrical Lockset

How To Order

Series	Function	Lever Style	Finish	Cylinder	Backset
CE: Non-Clutch Trim	F75	S: Sentinel	619: US15, Satin Nickel	Cylinder Specifications Key in lever option: ▪ Blank: Schlage® 6-pin with "C" Keyway, standard ▪ K6: Kwikset® 6-pin with "KW" Keyway ▪ HS6: High security 6-pin with Townsteel "L" Keyway ▪ SF6: Best® 6-pin, IC core with "A" Keyway ▪ SF7: Best® 7-pin, IC core with "A" Keyway ▪ HS7: High security 7-pin, IC core with Townsteel "L" Keyway Other Less cylinder core option: ▪ SLF: Schlage® large format IC, SLFIC ▪ CLF: Corbin® large format IC, CLFIC *KD standard, KA, MK, GMK, GGMK upon request	2-3/8"
CEC: Clutched Trim	F76				
	F77				
CEI: non- Clutched Trim	F82	Q: Quest	622: US19, Flat Black	▪ SLF: Schlage® large format IC, SLFIC ▪ CLF: Corbin® large format IC, CLFIC *KD standard, KA, MK, GMK, GGMK upon request	2-3/4"
	F84	G: Gala			
	F86	W: Wolfsburg	626: US26D, Satin Chrome		
CEI: non- Clutched Trim	F87	WR: Wolfsburg R	Or special color upon request	▪ Schlage® small format IC, SFIC, less cylinder core	5"
	F89				
CECI: Clutched Trim	F109				

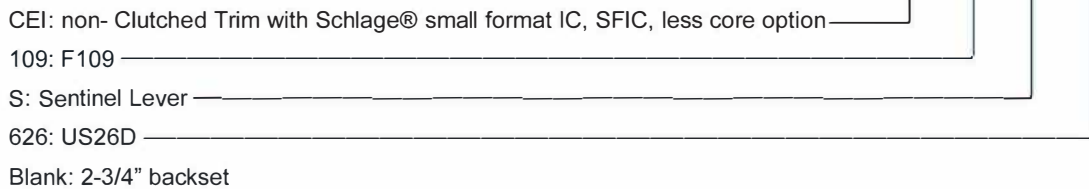
Example:

CEC- 109 - S - 626 - SLF



Example:

CEI- 109 - S - 626



CDC/CD Series

Heavy Duty Cylindrical Lockset



Gala



Quest



Sentinel



Specifications:

Finish 622 (US19), 626 (US26D) stocked or special color upon request

Lever Style Sentinel, Quest or Gala

Backset 2-3/4", 2-3/8" or 5"

Rose Design Wrought brass or stainless steel, 3-1/2" in diameter

Cylinder Key in option with Schlage® 6-pin, less cylinder option with Schlage® small format IC, Schlage® large format IC

Lockbody Clutched stocked or rigid upon request

Function ANSI F-75, 76, 82, 84, 86, 87, 90, 109, 110, Single Dummy, Pair Dummy

ANSI/BHMA A156.2

Grade 1 certified

Series 4000

UL UL 10C 3-hour rated

BAA Meets requirements of the Buy American Act

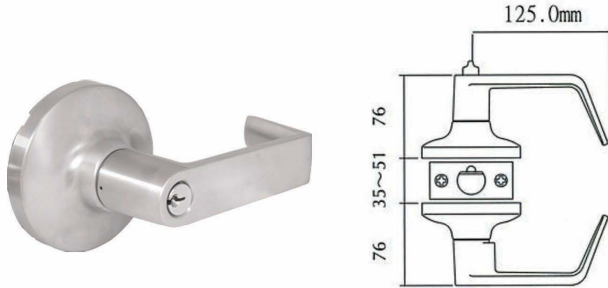
ADA Meets requirements of the Americans with Disabilities Act



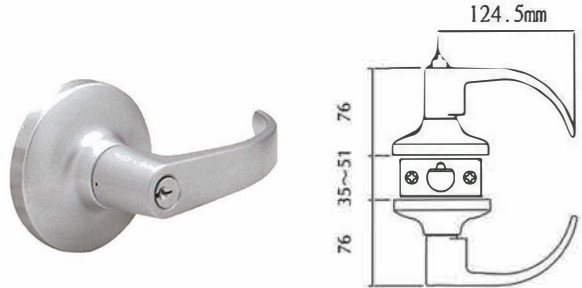
CDC/CD Series

Heavy Duty Cylindrical Lockset

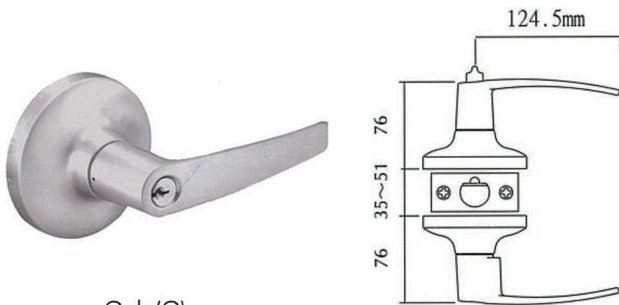
Lever Profile



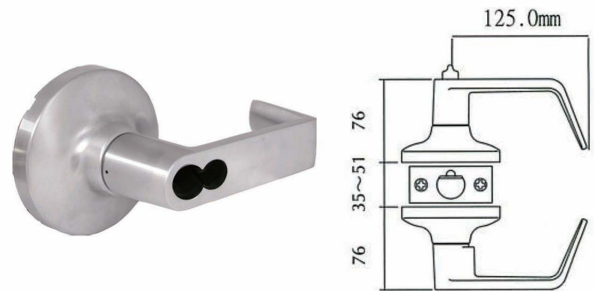
Sentinel(S)



Quest(Q)



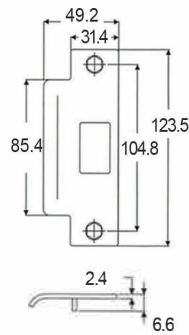
Gala(G)



Schlage® LFIC
(Available in Sentinel Lever Only)



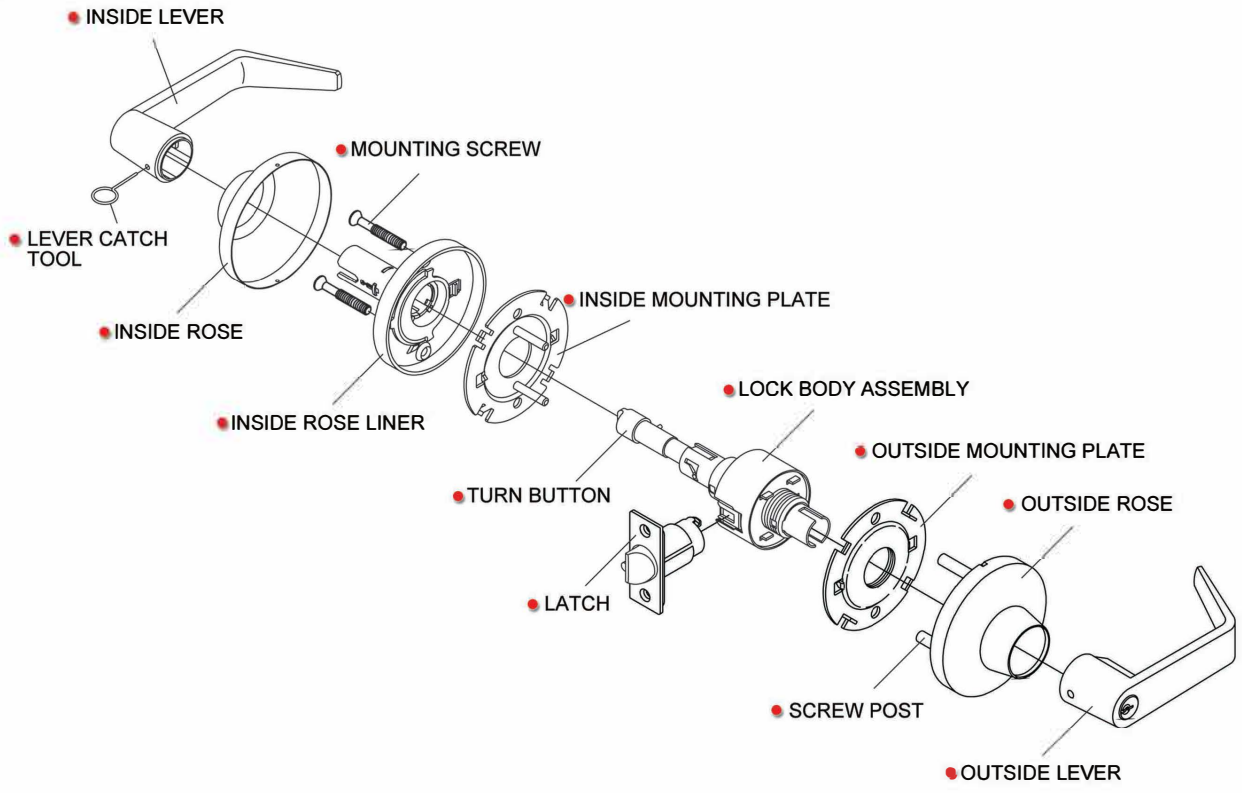
ASA Strike



CDC/CD Series

Heavy Duty Cylindrical Lockset

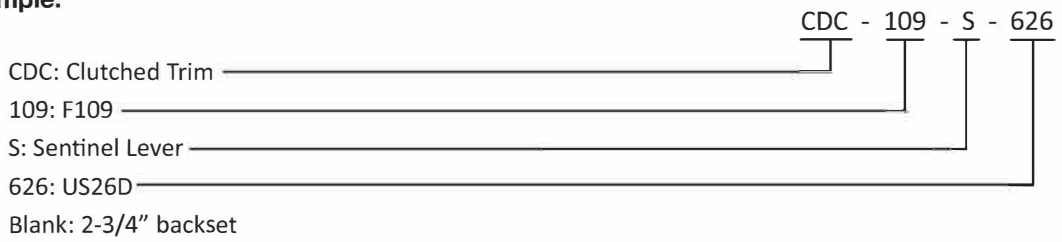
Lock Profile



How to Order

Series	Function	Lever	Finish	Backset
CD: non-Clutched Trim, Schlage® 6-pin with "C" Keyway, standard	F75	S: Sentinel	622: US19, Flat Black	Blank-2-3/4"
CDC: Clutched Trim, Schlage® 6-pin with "C" Keyway, standard	F76	Q: Quest		
CDCI: Clutched Trim, Schlage® small format IC, SFIC, less core option	F82	G: Gala	626: US26D, Satin Chrome	2-3/8"
	F84	*CDC-SLFIC		
	F86	only available	Or special color upon request	3-3/4"
	F87	with Sentinel		
	F90	lever		
CDC-SLFIC: Clutched Trim, Schlage® large format IC, SLFIC, less core option	F109			5"
	F110			
	SD			

Example:



CS Series

Cylindrical Lockset



Specifications:

Finish	622 (US19), 626 (US26D) stocked or special color upon request
Lever Style	Sentinel, Quest or Gala
Backset	2-3/4", or other upon request
Rose Design	Wrought brass or stainless steel, 3-3/8" in diameter
Cylinder	Key in option with Schlage® 6-pin
Lockbody	Clutched stocked
Function	ANSI F-75, 76, 81, 84, 86, 87, 109, Single Dummy
ANSI/BHMA	Comply with ANSI/BHMA A156.2 Grade 2
UL	UL 10C 3-hour rated
BAA	Meets requirements of the Buy American Act
ADA	Meets requirements of the Americans with Disability Act



CSRC Series

Cylindrical Lockset



Gala



Quest



Sentinel



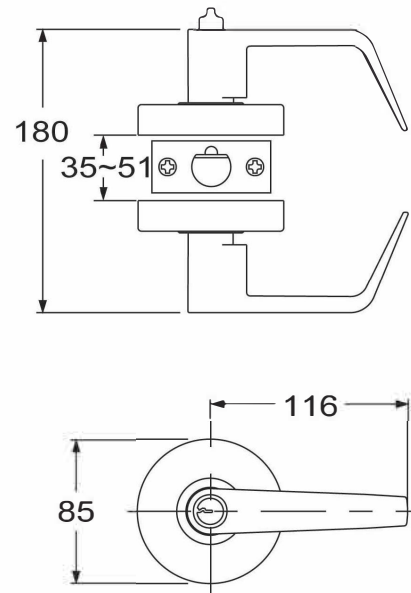
Specifications:

- Finish** 622 (US19), 626 (US26D) stocked or special color upon request
- Lever Style** Sentinel, Quest or Gala
- Backset** 2-3/4", or other upon request
- Rose Design** Conical type, 3-3/8" in diameter
- Cylinder** Key in option with Schlage® 6-pin, less cylinder option with Schlage® small format IC
- Lockbody** Clutched
- Function** ANSI F-75, 76, 82, 84, 86, 87, 109, Single Dummy
- ANSI/BHMA** Comply with ANSI/BHMA A156.2 Grade 2
- UL** UL 10C 3-hour rated
- BAA** Meets requirements of the Buy American Act
- ADA** Meets requirements of the Americans with Disability Act



CB Series

Cylindrical Lockset



Specifications:

Backset	2-3/4" standard. 2-3/8", 3-3/4" and 5" optional
Cylinder	6 pin solid brass cylinder, Schlage "C" keyway 6 or 7 Pin Small Format IC Core available
Lockbody	Non-Clutch
Rose Design	Wrought brass or stainless steel, 3-3/8" in diameter
Available lever	Sentinel, Gala, Quest
Available Finish	622(US19), 626(US26D) stock finish, other finishes upon request
Function	ANSI F-75, 76, 82, 84, 86,109
ANSI/BHMA	Comply with ANSI/BHMA A156.2-2003 Grade 2
UL	UL 10C 3-hour rated
BAA	Meets requirements of the Buy American Act
ADA	Meets requirements of the Americans with Disabilities Act

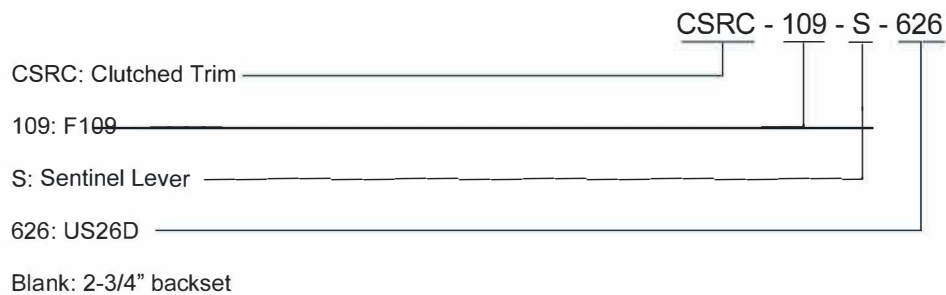


CS&CSRC&CB Series How To Order

Cylindrical Lockset


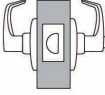
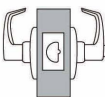
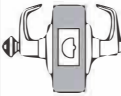
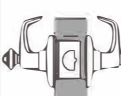
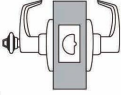
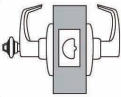
Series	Function	Lever	Finish	Backset
CS: Clutched Trim, Schlage® 6-pin with "C" Keyway, standard	F75	S: Sentinel	622: US19, Flat Black	Blank: 2-3/4"
	F76			
CSRC: Clutched Trim, Schlage® 6-pin with "C" Keyway, standard	F82	Q: Quest	626: US26D, Satin Chrome	2-3/8"
	F84			
CSRCI: Clutched Trim, Schlage® small format IC, SFIC, less core option	F86	G: Gala	Or special color upon request	3-3/4"
	F87			
CB: non- Clutched Trim, Schlage® 6-pin with "C" Keyway, standard	F109			5"
	SD			

Example:


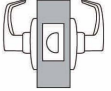
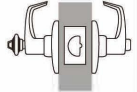

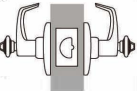
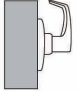
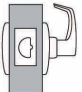



Cylindrical Lock Functions

Functions

Outside	Inside	Series/ Function	Type	ANSI No.	Function Description
		CE-75 CD-75 CDC-75 CS-75 CSRC-75	Passage Closet	F75	Latchbolt operated by lever from either side at all times.
		CE-76 CEC-76 CD-76 CDC-76 CS-76 CSRC-76 CB-76	Privacy	F76	Latchbolt operated by lever from either side. Outside lever is locked by push button inside and unlocked by emergency release outside, rotating inside lever or closing door.
		CE-77 CEC-77	Patio	F77	Deadlocking latchbolt operated by lever from either side. Outside lever is locked by push button inside and unlocked by rotating inside lever or closing door.
		CS-81	Entry / Office	F81	Turn/Push button locking. Pushing and turning button locks outside lever requiring use of key until button is manually unlocked. Pushing button locks outside lever until unlocked with key or inside lever is turned.
		CSRC-82 CB-82	ENTRANCE / OFFICE LOCK	F82	Dead locking latchbolt operated except when outside lever is locked by push button or other locking device on inside. When outside lever is locked, operating key in outside lever or operating inside lever unlocks push button or other locking device and retracts latch bolt. Closing door does not release push button or other locking device.
		CS-84 CE-84 CEC-84 CD-84 CDC-84 CSRC-84 CB-84	Classroom	F84	Deadlocking latchbolt operated by lever from either side except when both levers are locked from outside by key. When outside lever is locked, latchbolt is operated by key in outside lever or by rotating inside lever.
		CS-86 CE-86 CEC-86 CDC-86 CSRC-86 CB-86	Storeroom	F86	Deadlocking latchbolt operated by key in outside lever or rotating inside lever. Outside lever is always fixed.

Cylindrical Lock Functions

Functions					
Outside	Inside	Series/ Function	Type	ANSI No.	Function Description
		CE-87 CDC-87 CD-87 CS-87 CSRC-87	Asylum	F87	Deadlocking latchbolt operated by key in lever from either side. Both lever always inoperable.
		CE-89	Exit Latch	F89	Deadlocking latchbolt by leve from inside at all times. Outside lever is always inoperable.
		CD-90 CDC-90	CORRIDOR LOCK	F90	Dead locking latch bolt operated by lever from either side except when outside lever is locked by key in outside lever or by p push button or other locking device on inside. Key in outside lever locks or unlocks outside lever. Operating inside lever releases push button or other locking device placed position. Closing door releases push button or other inside locking device. Inside lever always operates latch bolt.
		CE-109 CEC-109 CD-109 CDC-109 CSRC-109 CB-109 CS-109	Entry / Office LOCK	F109	Dead locking latchbolt operated by lever from either side except when outside lever is locked by the push or turn button on inside. Key outside or operating inside lever releases push or turn button unlocking outside lever except when push or turn button has been roated to keep outside lever locked. Inside push or turn button must be mannullly operated to unlock outside lever. Inside lever always operates latch bolt.
		CDC-110 CD-110	INTRUDER CLASSROOM LOCK	F110	Dead locking latch bolt operated by lever from either side. Key either inside or outside locks or unlocks outside lever. Inside lever always operates latch bolt.
		CS-SD CD-SD CSRC-SD	Single Dummy		Single dummy trim for one side of door.
			Connecting Room / Exit		Deadlocking latchbolt operated from inside only. Blank plate outside.
			Connecting Room / Exit		Deadlocking latchbolt operated by lever from inside except when inside lever is locked by key. Blank plate outside.



TownSteel[®]
Architectural Hardware MFG

PRODUCT CATALOG

INTERCONNECTED LOCKS

D

INTERCONNECTED LOCKS

Subindex

- 1 e-Genius**
Electronic Interconnect Lock
- 5 m-Genius**
Mechanical Interconnect Lock
- 9 m-Genius-S**
Mechanical Interconnect Lock (Sectional Trim)
- 13 m-Genius-C**
Mechanical Interconnect Lock (Concealed Deadbolt Trim)

e-Genius

Electronic Interconnect Lock

★ US PATENTED



4" Entry lock with turn button shown

Mechanical Specifications

- Door Thickness: 1-3/4"
- Backset: 2-3/8" - 2-3/4" adjustable
- Clutched trim
- Latchbolt: 1/2" throw stainless steel deadlocking
- Deadbolt: 1" stainless steel deadbolt
- Faceplates: 1" x 2-1/4" or 1-1/8" x 2-1/4"
- Latch Strike: Full lip with radius corners
- Deadbolt Strike: 1-1/8" x 2-3/4" radius corners with security underplate
- 4" or 5-1/2" deadbolt center to latchbolt center distance available
- Available Storeroom Function (always locked) or Entry Function (with Toggle passage)
- Multiple credentials available such as keypad, RFID and BLE. Offline or online, stand-alone or Maxx Access system

Available Lever Styles



Sentinel (S)



Quest (Q)



Wolfsburg (W)



Wolfsburg R (WR)

Code Compliance

- Americans with Disabilities Act
- EU RoHS Directive 2002/95/EC
- ANSI/BHMA A156.12 Grade 1 certified
- ANSI/BHMA A156.25 Meets Industry Standards
- UL 10C 3 Hour Rated
- FCC Part 15 certified

e-Genius

Electronic Interconnect lock with a unique and patented design

A commercial grade Interconnect Lock that offers the safety and convenience of simultaneous retraction of the latchbolt and deadbolt during entry or egress. Extending the deadbolt is done by simply lifting the inside or outside lever, no key required to securely lock your door.



▶ Latchbolt can always be locked, so that when shutting the door, it is automatically locked. Deadbolt is extended for added security by lifting the outside lever.

▼ A unique, secure and stylish interconnect lock that can retract the deadbolt and latchbolt in a single motion not only from the inside but from the outside as well.



▶ Clutching lever design: When locked, the outside lever can be rotated but will not retract the latchbolt or deadbolt.



▶ One unique feature is that the deadbolt can be extended by simply lifting the inside or outside lever.



When thumb-turn is tilting toward the door jamb, it indicates the deadbolt is extended for added security.



▶ Inside lever will simultaneously retract the latchbolt and deadbolt **to comply with single motion egress fire code.**

Outside lever, when unlocked, will simultaneously retract the latchbolt and deadbolt for easy entry.



▶ Optional inside turn (Toggle Function) will allow the user to toggle between locked or unlocked on the outside lever.

Turn button on inside lever
(Toggle Function)



Outside lever locked position



Outside lever unlocked position

e-Genius 2000
KEY PAD ONLY



e-Genius 4000
RFID



e-Genius 5000
BLE or WIFI



e-Genius 6000
MAXX ACCESS

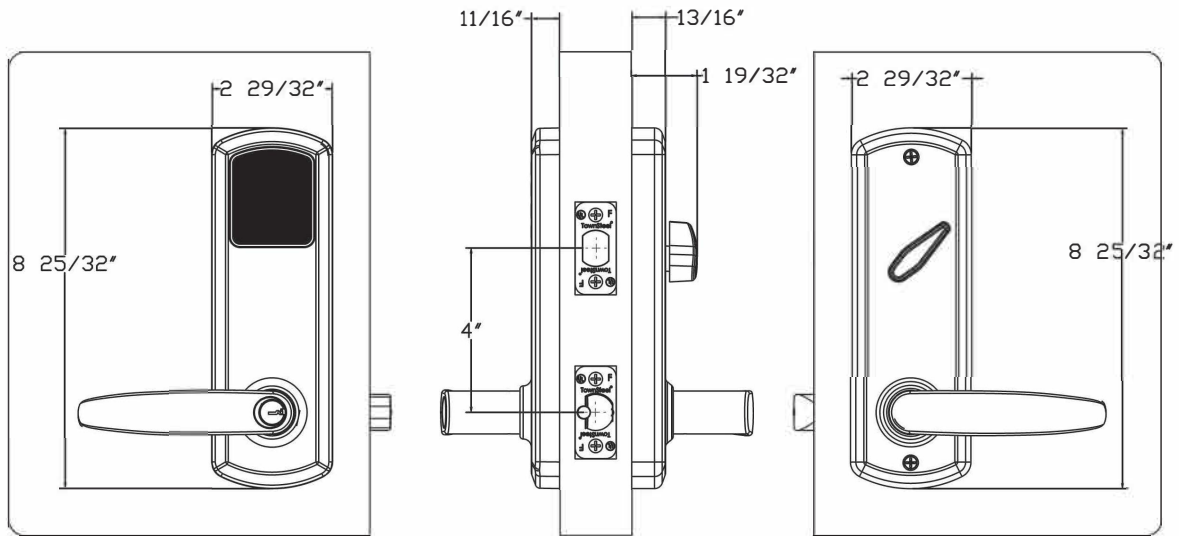


e-Genius Series

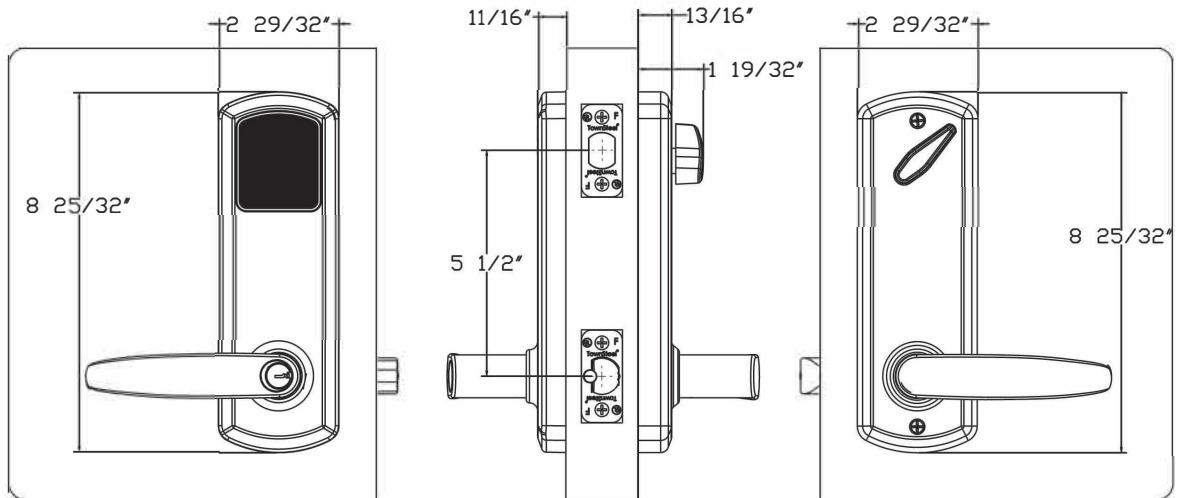
Electronic Interconnect Lock (available in 4" or 5 1/2" spacing)



4"
(40 lockbody)



5 1/2"
(55 lockbody)



How To Order

Series	e-Genius	Model Number	<u>2</u> : Keypad
Function	S: Storeroom / T: Entry (Toggle Function)		<u>4</u> : RFID + Keypad
Level / Style	S: Sentinel / Q: Quest / W: Wolfsburg / WR: Wolfsburg R		<u>5B</u> : RFID + Keypad + BLE
Handing	RH / LH / RHR / LHR		<u>5R</u> : RFID + Keypad + RF
Lockbody	40: 4" / 55: 5-1/2"		<u>6</u> : RFID + MAXX ACCESS
Faceplates	N: 1" x 2-1/4" / W: 1-1/8" x 2-1/4"		
Finish	619: US15, Satin Nickel / 622: US19, Flat Black 626: US26D, Satin Chrome / Or special color upon request	Example:	Model Number Lever Finish Faceplates
Cylinder	Key in lever option: SC Schlage® 6-pin with "C" keyway, standard K6 Kwikset® 6-pin with "KW" keyway HS6 High security 6-pin with TownSteel "L" keyway SF6 Best® 6-pin, IC core with "A" keyway SF7 Best® 7-pin, IC core with "A" keyway HS7 High security 7-pin, IC core with TownSteel "L" keyway Less cylinder core option: SF Schlage® small format IC, SFIC SLF Schlage® large format IC, SLFIC CLF Corbin® large format IC, CLFIC		EG 6 T T - SLH 626 - 55 W SC
			Function Handing Lockbody Cylinder

m-Genius

Mechanical Interconnect Lock



4" Entry lock with turn button right hand shown

Mechanical Specifications

- Door Thickness: 1-3/4"
- Backset: 2-3/8" - 2-3/4" adjustable
- Clutched trim
- Latchbolt: 1/2" throw stainless steel deadlocking
- Deadbolt: 1" stainless steel deadbolt
- Faceplates: 1" x 2-1/4" or 1-1/8" x 2-1/4"
- Latch Strike: Full lip with radius corners
- Deadbolt Strike: 1-1/8" x 2-3/4" radius corners with security underplate
- 4" or 5-1/2" deadbolt center to latchbolt center distance available
- Available Storeroom Function (always locked) or Entry Function (with Toggle passage)

Available Lever Styles



Sentinel (S)



Quest (Q)



Wolfsburg (W)



Wolfsburg R (WR)

Code Compliance

- Americans with Disabilities Act
- EU RoHS Directive 2002/95/EC
- ANSI/BHMA A156.12 Grade 1
- UL 10C 3 Hour Rated

m-Genius

Mechanical series of the Genius family

Mechanical Interconnect lock with a unique and patented design

A commercial-grade Interconnect Lock that offers the safety and convenience of simultaneous retraction of the latchbolt and deadbolt during entry or egress. Extending the deadbolt is done by simply lifting the inside or outside lever, no key required to securely lock your door. Only one key to unlock both latchbolt and deadbolt.



▶ Latchbolt can always be locked, so that when shutting the door, it is automatically locked. Deadbolt is extended for added security by the lifting outside lever.



Clutching lever design: When locked, the outside lever can be rotated but will not retract the latchbolt or deadbolt.



▶ Patent pending design to allow lifting outside lever to extend deadbolt to achieve double locking. Use key to unlock first, press the lever to retract both deadbolt and latchbolt at the same time from the outside.



A unique, secure and stylish mechanical interconnect lock that can retract the deadbolt and latchbolt in a single motion not only from the inside but from the outside as well.





▼
One unique feature is that the deadbolt can be extended by simply lifting the inside or outside lever.

▼
When the thumb-turn is tilting toward the door jamb, it indicates the deadbolt is extended for added security.



▼
Inside lever will simultaneously retract the latchbolt and deadbolt **to comply with single motion egress fire code.**

Outside lever, when unlocked, will simultaneously retract the latchbolt and deadbolt for easy entry.



▼
Optional inside turn (Toggle Function) will allow the user to toggle between locked or unlocked on the outside lever.

Turn button on inside lever (Toggle Function)



Outside lever locked position



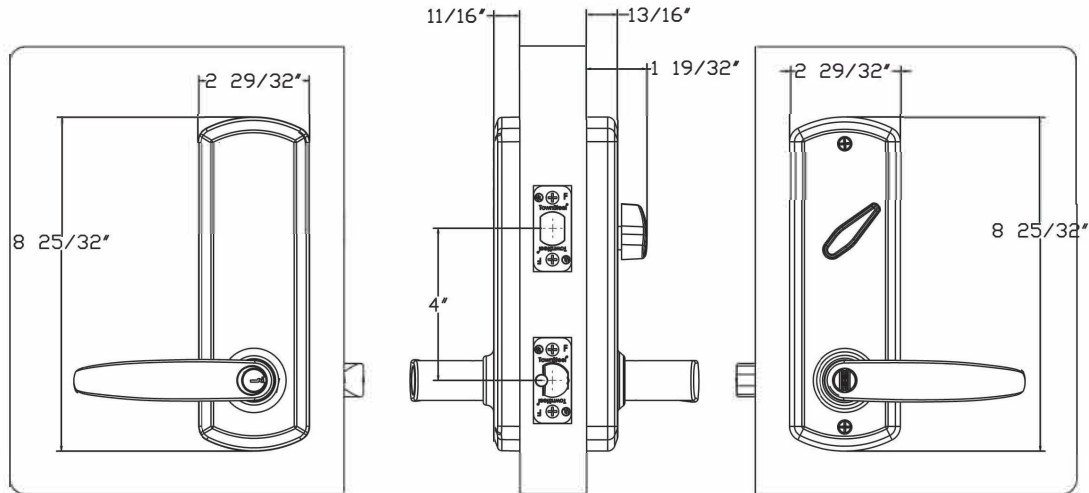
Outside lever unlocked position

m-Genius

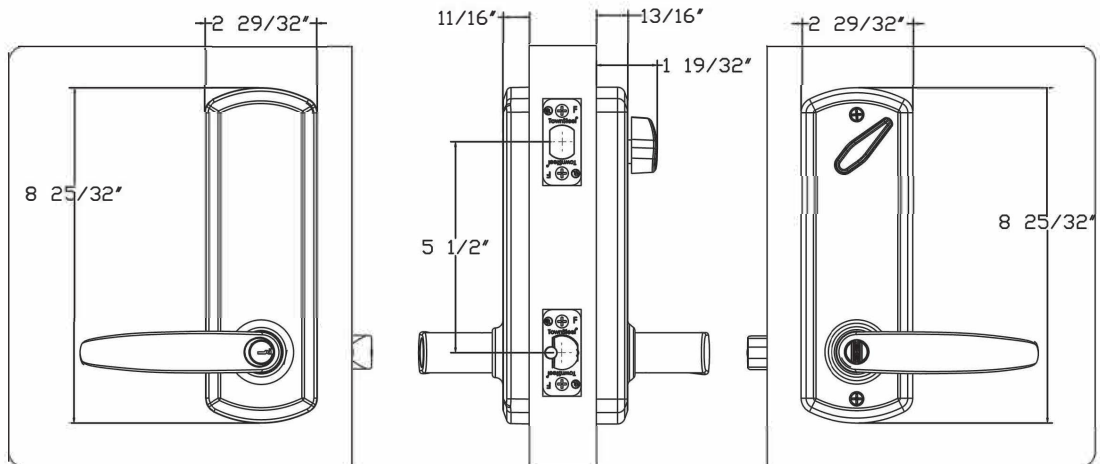
Mechanical Interconnect Lock (available in 4" or 5 1/2" spacing)



4"
(40 lockbody)



5 1/2"
(55 lockbody)



How To Order

Series	m-Genius
Function	S: Storeroom / T: Entry (Toggle Function)
Lever Style	S: Sentinel / Q: Quest / W: Wolfsburg / WR: Wolfsburg R
Handing	RH / LH / RHR / LHR
Finish	619: US15, Satin Nickel / 622: US19, Flat Black 626: US26D, Satin Chrome / Or special color upon request
Lockbody	40: 4" / 55: 5-1/2"
Faceplates	N: 1" x 2-1/4" / W: 1-1/8" x 2-1/4"
Cylinder	Key in lever option:
	SC Schlage® 6-pin with "C" keyway, standard
	K6 Kwikset® 6-pin with "KW" keyway
	HS6 High security 6-pin with TownSteel "L" keyway
	SF6 Best® 6-pin, IC core with "A" keyway
	SF7 Best® 7-pin, IC core with "A" keyway
	HS7 High security 7-pin, IC core with TownSteel "L" keyway
Less cylinder core option:	
SF Schlage® small format IC, SFIC	
SLF Schlage® large format IC, SLFIC	
CLF Corbin® large format IC, CLFIC	

Lever Finish Faceplates
 ↑ ↑ ↑
MGTT-S LH626-55 W SC
 ↓ ↓ ↓
 Function Handing Lockbody Cylinder

m-Genius-S

Mechanical Interconnect Lock

SECTIONAL TRIM



5.5" Entry lock with turn button left hand shown

Mechanical Specifications

- Door Thickness: 1-3/4"
- Backset: 2-3/8" - 2-3/4" adjustable
- Clutched trim
- Latchbolt: 1/2" throw stainless steel deadlocking
- Deadbolt: 1" stainless steel deadbolt
- Faceplates: 1" x 2-1/4" or 1-1/8" x 2-1/4"
- Latch Strike: Full lip with radius corners
- Deadbolt Strike: 1-1/8" x 2-3/4" radius corners with security underplate
- 4" or 5-1/2" deadbolt center to latchbolt center distance available
- Available Storeroom Function (always locked) or Entry Function (with Toggle passage)

Available Lever Styles



Sentinel (S)



Quest (Q)



Wolfsburg (W)



Wolfsburg R (WR)

Code Compliance

- Americans with Disabilities Act
- EU RoHS Directive 2002/95/EC
- ANSI/BHMA A156.12 Grade 1
- UL 10C 3 Hour Rated

m-Genius-S

Mechanical series of the Genius family

Mechanical Interconnect lock with a unique and patented design

A commercial-grade Interconnect Lock that offers the safety and convenience of simultaneous retraction of the latchbolt and deadbolt during entry or egress. Extending the deadbolt is done by simply lifting the inside or outside lever, no key required to securely lock your door. Only one key to unlock both latch and deadbolt.



▶ Latchbolt can always be locked, so that when shutting the door, it is automatically locked. Deadbolt is extended for added security by lifting the outside lever.



Clutching lever design: When locked, the outside lever can be rotated but will not retract the latchbolt or deadbolt.



Patent pending design to allow lifting outside lever to extend deadbolt to achieve double locking. Use key to unlock first, press the lever to retract both deadbolt and latchbolt at the same time from the outside.



A unique, secure and stylish mechanical interconnect lock that can retract the deadbolt and latchbolt in a single motion not only from the inside but from the outside as well.





One unique feature is that the deadbolt can be extended by simply lifting the inside or outside lever.



When thumb-turn is tilting toward the door jamb, it indicates the deadbolt is extended for added security.



Inside lever will simultaneously retract the latchbolt and deadbolt **to comply with single motion egress fire code.**

Outside lever, when unlocked, will simultaneously retract the latchbolt and deadbolt for easy entry.



Optional inside turn (Toggle Function) will allow the user to toggle between locked or unlocked on the outside lever.

Turn button on inside lever
(Toggle Function)



Outside lever locked position



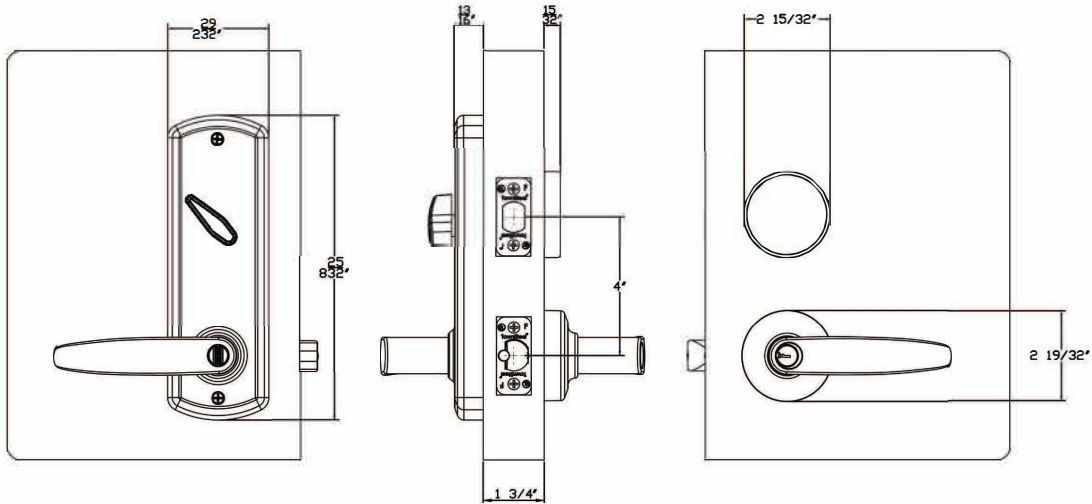
Outside lever unlocked position

m-Genius-S

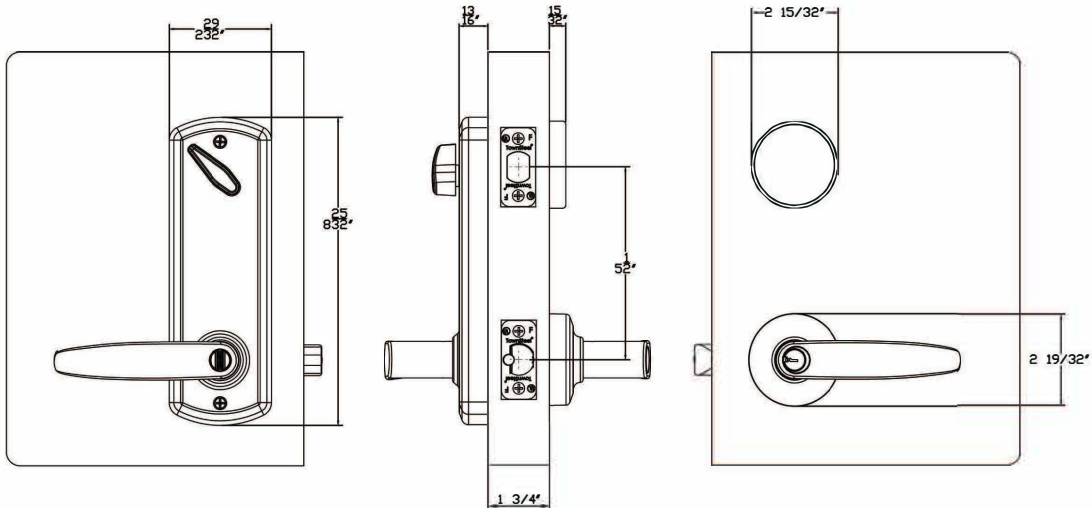
Mechanical Interconnect Lock (available in 4" or 5 1/2" spacing)



4"
(40 lockbody)



5 1/2"
(55 lockbody)



How To Order

Series	m-Genius-S
Function	S: Storeroom / T: Entry (Toggle Function)
Level Style	S: Sentinel / Q: Quest / W: Wolfsburg / WR: Wolfsburg R
Handing	RH / LH / RHR / LHR
Finish	619: US15, Satin Nickel / 622: US19, Flat Black 626: US26D, Satin Chrome / Or special color upon request
Lockbody	40: 4" / 55: 5-1/2"
Faceplates	N: 1" x 2-1/4" / W: 1-1/8" x 2-1/4"
Cylinder	Key in lever option: SC Schlage® 6-pin with "C" keyway, standard K6 Kwikset® 6-pin with "KW" keyway HS6 High security 6-pin with TownSteel "L" keyway SF6 Best® 6-pin, IC core with "A" keyway SF7 Best® 7-pin, IC core with "A" keyway HS7 High security 7-pin, IC core with TownSteel "L" keyway Less cylinder core option: SF Schlage® small format IC, SFIC SLF Schlage® large format IC, SLFIC CLF Corbin® large format IC, CLFIC

Lever ↑ Finish ↑ Faceplates ↑
MGSTT-SLH626-55WSC
 ↓ ↓ ↓ ↓
 Function Handing Lockbody Cylinder

m-Genius-C

Mechanical Interconnect Lock CONCEALED DEADBOLT TRIM



5.5" Entry lock with turn button left hand shown

Mechanical Specifications

- Door Thickness: 1-3/4"
- Backset: 2-3/8" - 2-3/4" adjustable
- Clutched trim
- Latchbolt: 1/2" throw stainless steel deadlocking
- Deadbolt: 1" stainless steel deadbolt
- Faceplates: 1" x 2-1/4" or 1-1/8" x 2-1/4"
- Latch Strike: Full lip with radius corners
- Deadbolt Strike: 1-1/8" x 2-3/4" radius corners with security underplate
- 4" or 5-1/2" deadbolt center to latchbolt center distance available
- Available Storeroom Function (always locked) or Entry Function (with Toggle passage)

Available Lever Styles



Sentinel (S)



Quest (Q)



Wolfsburg (W)



Wolfsburg R (WR)

Code Compliance

- Americans with Disabilities Act
- EU RoHS Directive 2002/95/EC
- ANSI/BHMA A156.12 Grade 1
- UL 10C 3 Hour Rated

m-Genius-C

Mechanical series of the Genius family

Mechanical Interconnect lock with a unique and patented design

A commercial-grade Interconnect Lock that offers the safety and convenience of simultaneous retraction of the latchbolt and deadbolt during entry or egress. Extending the deadbolt is done by simply lifting the inside or outside lever, no key required to securely lock your door. Only one key to unlock both the latchbolt and deadbolt.



▶ Latchbolt can always be locked, so that when shutting the door, it is automatically locked. Deadbolt is extended for added security by lifting the outside lever.



Clutching lever design: When locked, the outside lever can be rotated but will not retract the latchbolt or deadbolt.



▶ Patent pending design to allow lifting outside lever to extend deadbolt to achieve double locking. Use key to unlock first, press the outside lever to retract both deadbolt and latchbolt at the same time from the outside.



A unique, secure and stylish mechanical interconnect lock that can retract the deadbolt and latchbolt in a single motion not only from the inside but from the outside as well.





▼
One unique feature is that the deadbolt can be extended by simply lifting the inside or outside lever.

▼
When the thumb-turn is tilting toward the door jamb, it indicates the deadbolt is extended for added security.



▼
Inside lever will simultaneously retract the latchbolt and deadbolt **to comply with single motion egress fire code.**

Outside lever, when unlocked, will simultaneously retract the latchbolt and deadbolt for easy entry.



▼
Optional inside turn (Toggle Function) will allow the user to toggle between locked or unlocked on the outside lever.

Turn button on inside lever
(Toggle Function)



Outside lever locked position



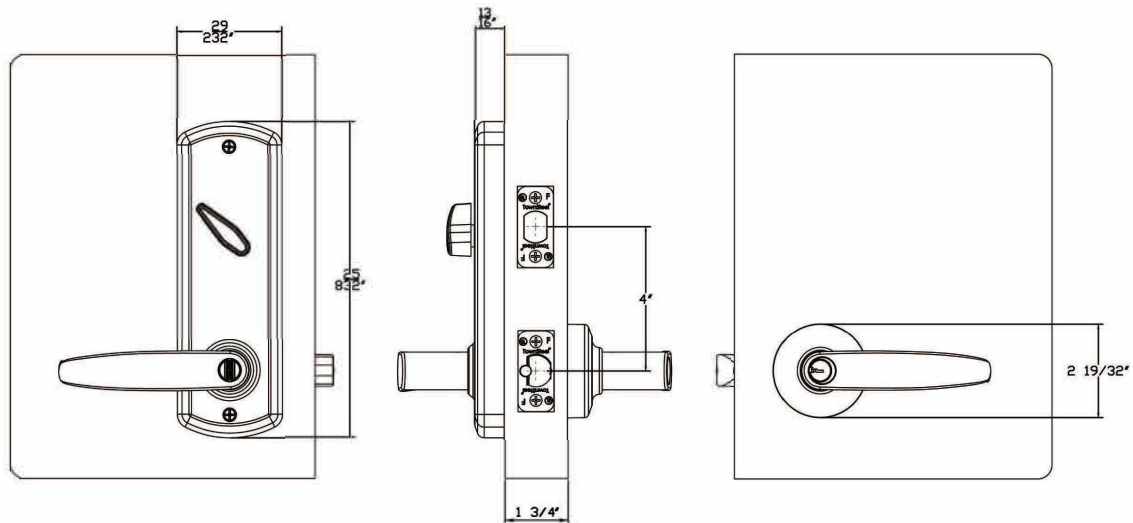
Outside lever unlocked position

m-Genius-C

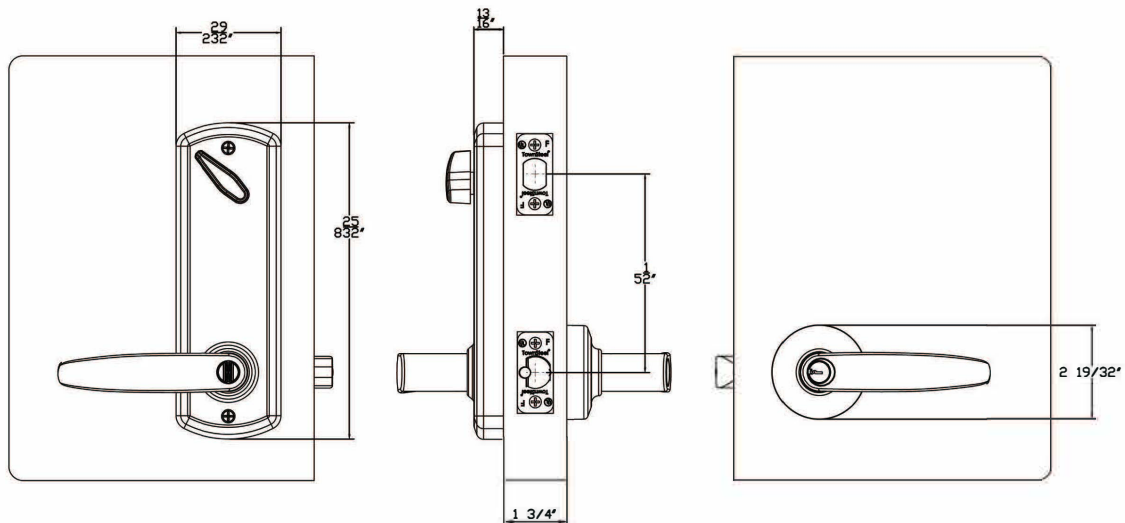
Mechanical Interconnect Lock (available in 4" or 5 1/2" spacing)



4"
(40 lockbody)



5 1/2"
(55 lockbody)



How To Order

Series	m-Genius-C
Function	S: Storeroom / T: Entry (Toggle Function)
Lever Style	S: Sentinel / Q: Quest / W: Wolfsburg / WR: Wolfsburg R
Handing	RH / LH / RHR / LHR
Finish	619: US15, Satin Nickel / 622: US19, Flat Black 626: US26D, Satin Chrome / Or special color upon request
Lockbody	40: 4" / 55: 5-1/2"
Faceplates	N: 1" x 2-1/4" / W: 1-1/8" x 2-1/4"
Cylinder	<p>Key in lever option:</p> <ul style="list-style-type: none"> SC Schlage® 6-pin with "C" keyway, standard K6 Kwikset® 6-pin with "KW" keyway HS6 High security 6-pin with TownSteel "L" keyway SF6 Best® 6-pin, IC core with "A" keyway SF7 Best® 7-pin, IC core with "A" keyway HS7 High security 7-pin, IC core with TownSteel "L" keyway <p>Less cylinder core option:</p> <ul style="list-style-type: none"> SF Schlage® small format IC, SFIC SLF Schlage® large format IC, SLFIC CLF Corbin® large format IC, CLFIC

Lever Finish Faceplates
 ↑ ↑ ↑
MGCTT - SLH626 - 55WSC
 ↓ ↓ ↓ ↓
 Function Handing Lockbody Cylinder



TownSteel[®]
Architectural Hardware MFG

PRODUCT CATALOG

TUBULAR LOCKS

E

TUBULAR LOCKS

Subindex

- 1 **e-Smart Series**
Motorized Deadbolt
- 3 **HOPLON-C / HOPLON-D**
Tubular Deadbolt
- 4 **HOPLON-K / HOPLON-P**
Tubular Deadbolt
- 5 **DBD Series**
Tubular Deadbolt
- 6 **DBM Series**
Tubular Deadbolt
- 7 **DBF Series**
Tubular Deadbolt
- 8 **DBT Series**
Tubular Deadbolt
- 9 **LID Series**
Tubular Deadlatch

Motorized Deadbolt

★ US PATENT: # 10400477



Mechanical Specifications

- Heavy duty motorized deadbolt lock
- Standard 161 door prep
- For door thickness 1-3/4"
- 1" x 2-1/4" faceplate, plated finish
- 1-1/8" x 2-3/4" strike
- 1" throw deadbolt, anti-saw pins, drive-in deadbolt available
- 2-3/8" and 2-3/4" backset adjustable
- Dummy trim available for inactive leaf of paired door
- Programmable at the lock or through an app
- For single residential homes or multi-housing facilities
- Illuminated touch keypad, RFID card, and mechanical key override
- Robust and unique motor design provides stronger, faster and more reliable gear drive

Cylinder Specifications

- 6 pin Schlage® C keyway, standard
- Small format IC (SFIC) with or without core
- Schlage® large format IC less core
- Corbin® 6 pin large format IC less core
- Optional high security cylinder

Code Compliance

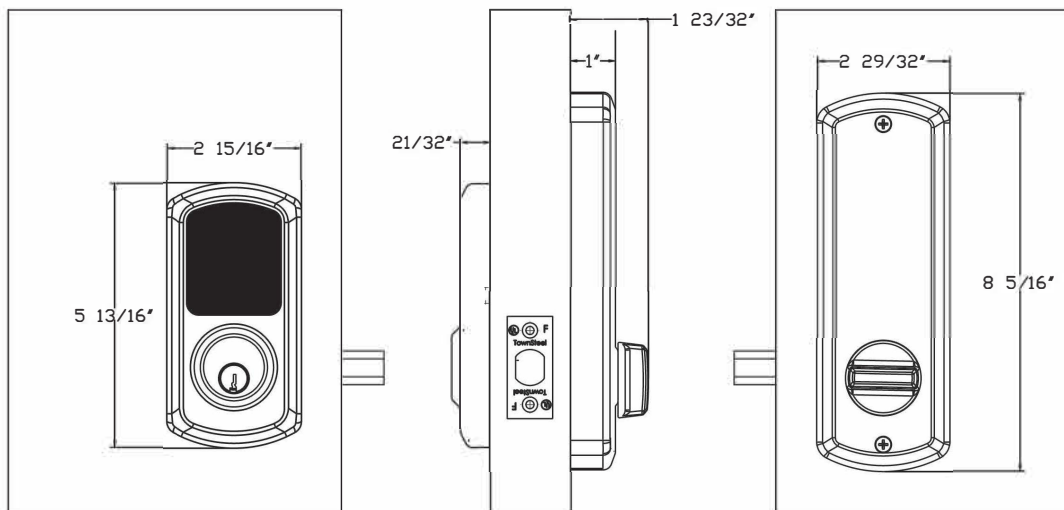
- Certified ANSI/BHMA A156.36, Grade 1 Listed
- UL 10C 3 Hour Rated
- FCC Part 15 Certified

e-Smart Series

Standalone Deadbolt



Profile



How To Order

Series	ES2T: e-Smart 2000 TownSteel ES4T: e-Smart 4000 TownSteel ES5BT: e-Smart 5000 BLE(Bluetooth) TownSteel ES5RT: e-Smart 5000 RF(WIFI) TownSteel ESDT: e-Smart Dummy TownSteel	<p>Series Cylinder</p> <p>↑ ↑</p> <p>ES5BT - 622 - SC5</p> <p>↓ ↓</p> <p>Finish</p>
Finish	622 / US19 / Flat Black 630 / US32D / Satin Stainless Steel Special Finishes Upon Request	
Cylinder	D: Dummy SC(KIK): 5 or 6 pin HS: High Security SFIC/LFIC with or without core, 6 or 7 pin	

HOPLO-C / HOPLO-D

Hoplon Series Deadbolt Locks



Concealed Deadbolt Lock



Mechanical Double Cylinders Lock

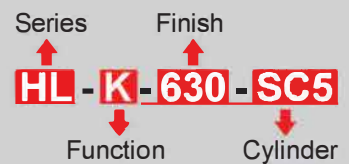
ANSI/BHMA Certified Grade 1 Lock

Finish	622 (US19), 626 (US26D), 630 (US32D), or special finishes upon request
Cylinder	5 or 6 pin SC (Schlage C keyway), 6 or 7 pin SFIC / SLFIC with/without core, 6 or 7 pin High Security (TownSteel "L" keyway)
ANSI/BHMA A156.36	Grade 1 certified
UL/ULC	UL10C 3-hour rated
BAA	Meets guidelines of the Buy American Act



How To Order

Series	HL- Hoplon
Function	K - Single Cylinder D - Double Cylinder P - Privacy C - Concealed
Finish	622: US19, Flat Black 626: US26D, Satin Chrome 630: US32D, Satin Stainless Steel Special Finishes Upon Request
Backset	2-3/4" or 2-3/8" convertible
Cylinder	Standard: - SC: Schlage "C" keyway, 5 or 6 pin Optional: - SFIC / LFIC: Small or Large format IC with or without core, 6 or 7 pin - HS: High Security TownSteel L keyway, 6 or 7 pin



HOPLON-K / HOPLON-P

Hoplon Series Deadbolt Locks



Single Cylinder Lock

Mechanical Double Indicator Lock

Features

Finish	622 (US19), 626 (US26D), 630 (US32D), or special finishes upon request
Cylinder	5 or 6 pin SC (Schlage C keyway), 6 or 7 pin SFIC / SLFIC with/without core, 6 or 7 pin High Security (TownSteel "L" keyway)
ANSI/BHMA A156.36	Grade 1 certified
UL/ULC	UL10C 3-hour rated
BAA	Meets guidelines of the Buy American Act



How To Order

Series	HL- Hoplon
Function	K - Single Cylinder D - Double Cylinder P - Privacy C - Concealed
Finish	622: US19, Flat Black 626: US26D, Satin Chrome 630: US32D, Satin Stainless Steel Special Finishes Upon Request
Backset	2-3/4" or 2-3/8" convertible
Cylinder	Standard: - SC: Schlage "C" keyway, 5 or 6 pin Optional: - SFIC / LFIC: Small or Large format IC with or without core, 6 or 7 pin - HS: High Security TownSteel L keyway, 6 or 7 pin



DBD Series

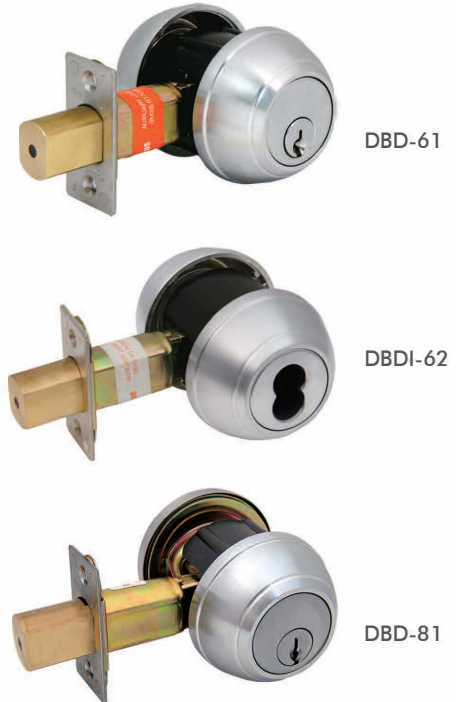
DEADBOLT LOCKS ANSI/BHMA Certified Grade 1 Deadbolt Locks



DBD Series is a heavy duty commercial quality deadbolt. Tamper resistant solid brass one piece housing provides a positive deterrent to forced entry.

Features

- **Door Thickness:** 1-9/16"-2" (40mm-51mm)
- **Backset:** 2-3/4" (70mm) standard, 2-3/8" (60mm) optional
- **Latch:** Solid brass with hardened steel rod insert, full 1" (25.4) throw
- **Strike:** 2-3/4" x 1-1/8"
- **Combo screw pack:** for wood or metal door or frame
- **Cylinder:** 6pin solid brass pick resistant pin and anti-drill bearing balls inserted, Schlage C keyway
- **SFIC:** Small format IC Core available
- **Keying:** Keyed Alike, Master Keyed and Grand Masterkeyed available
- **Finishes:** US26D, US10B stock finishes, or other finishes upon request
- **Door prep:** 1" edge bore for latch, 2-1/8" for lock



Code Compliance

ANSI/BHMA: ANSI/BHMA A156.5-2001 Certified Grade 1

UL: UL listed 3 hour fire rating

BAA: Meets guidelines of the Buy American Act



How To Order	
Series	DBD: Heavy Duty Deadbolt DBDI: Heavy duty deadbolt w/SFIC Less Core
Function	61: Single Cylinder, w/Thumb Turn 62: Double Cylinder 81: Single Cylinder, w/Blank Plate 90: Classroom
Backset	2-3/4" standard, 2-3/8" optional
Finish	613/US10B Oxidized Satin Bronze, Oil Rubbed 626/US26D Satin Chrome Special Finishes Upon Request
Cylinder	SC: 6 pin standard SFIC : Small Format IC Core with or without core

Series Backset Cylinder

DBD - 61 - 2-3/4 - 613 - SC

Function Finish

DBM Series

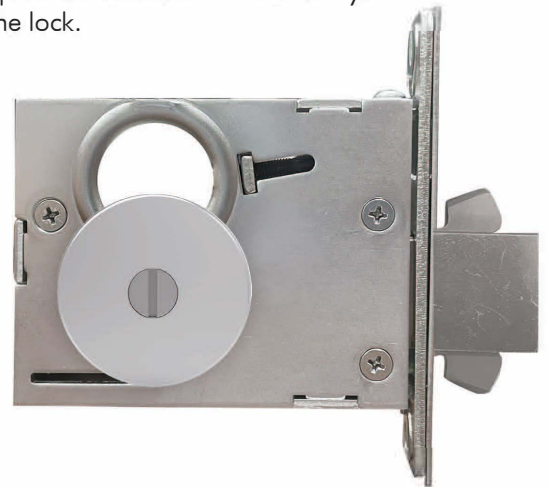
Mortise Deadbolt Locks



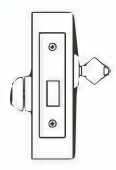
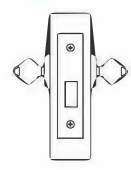
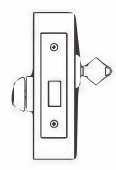
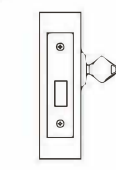
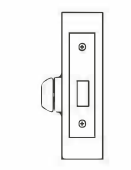
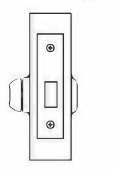
DBM Series is a heavy duty commercial quality deadbolt that provides a positive deterrent to forced entry. Designed for maximum security, the cylinder resist blows attempting to move the lock.

Specifications

- Applications** To use as an sliding lock for quality residential and commercial buildings wherever additional security is desired.
- Door Ranges** 1-3/8" to 2" door thickness.
- Backset** 2-3/4" standard.
- Bolt** 1" throw, stainless steel deadbolt
- Finishes** 613(US10B), 626(US26D), Or special finishes upon request
- Handing** Non-Handed.
- Cylinder** Accepts standard cylinders.



Functions

<p>DBM 15 Classroom</p>  <p>-Deadbolt operated from outside by key -Thumbturn will retract but not project deadbolt</p>	<p>DBM 16 Double Cylinder</p>  <p>-Deadbolt operated from either side by key -Use only on rooms with more than one exit</p>	<p>DBM 17 Single Cylinder</p>  <p>-Deadbolt operated from outside by key -Deadbolt operated from inside by turn lever</p>
<p>DBM 18 Cylinder x Blank</p>  <p>-Deadbolt operated from outside by key -No inside operation -Use only on rooms with more than one exit</p>	<p>DBM 29 Exit Lock</p>  <p>-Deadbolt operated from inside by turn lever -No outside operation</p>	<p>DBM 19 Privacy</p>  <p>-Deadbolt operated by turn from inside and emergency release from outside.</p>



How To Order	
Series	DBM: Mortise Deadbolt Lock
Function	15- Classroom 16-Double Cylinder 17- Single Cylinder 18- Cylinder x Blank 19- Privacy 29- Exit Lock
Finish	613: US10B, Dark Oxidized Satin Bronze 626: US26D, Satin Chrome Special Finishes Upon Request
Cylinder	- SC: 6 pin standard - SFIC/LFIC: Small or Large Format IC Core with or without core - HS: High Security, TownSteel "L" keyway

Function Cylinder

DBM - 19 - 613 - SC

Series Finish

DBF Series

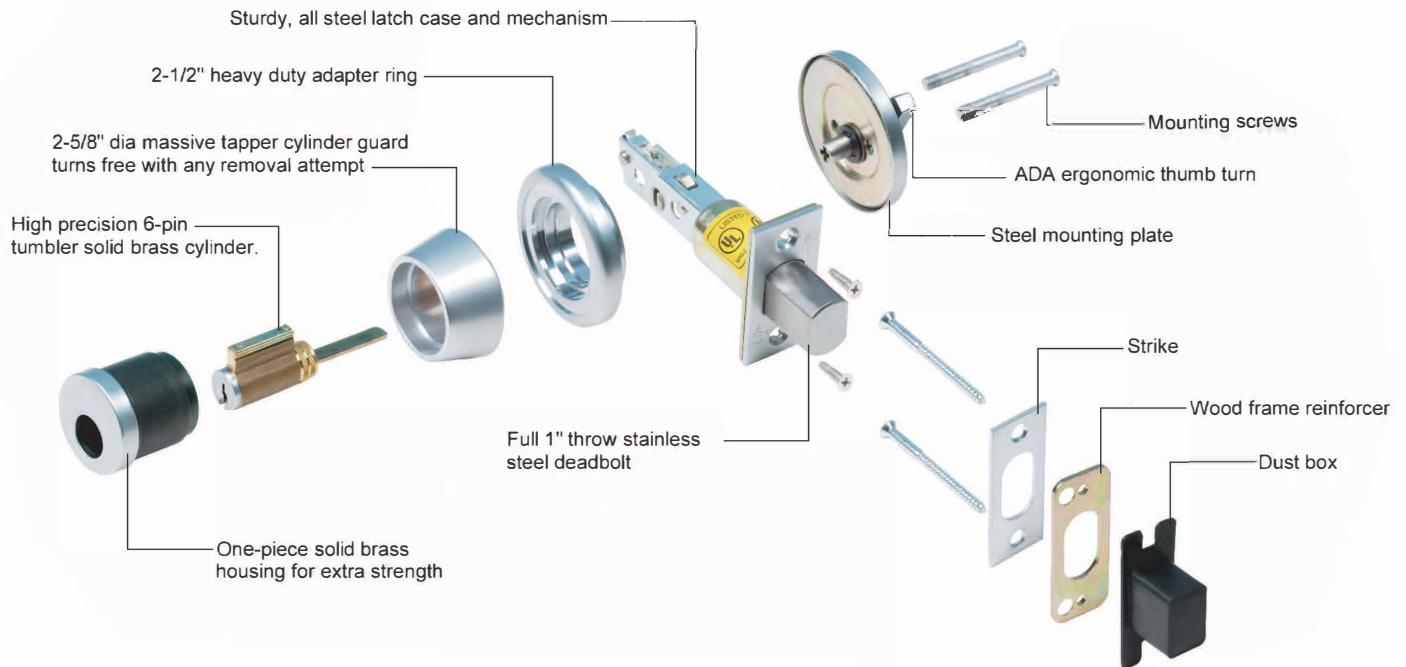
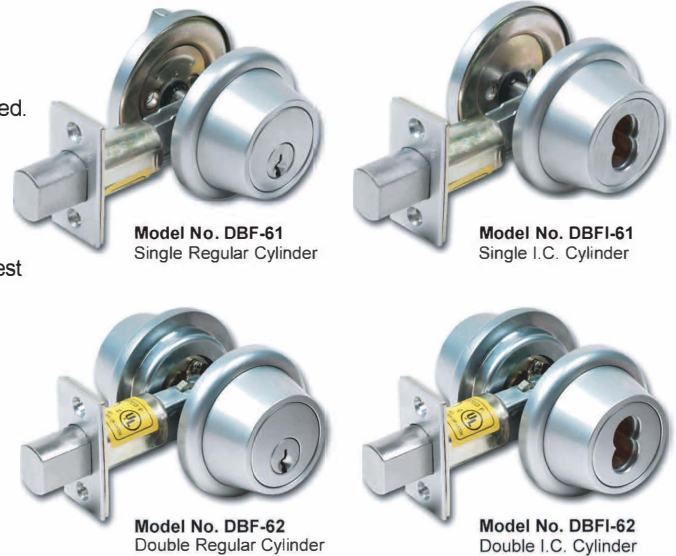
DEADBOLT LOCKS ANSI/BHMA Certified Grade 1 Deadbolt Locks



DBF Series is a heavy duty commercial quality deadbolt that provides a positive deterrent to forced entry. Designed for maximum security, the cylinder recesses into the door to resist blows attempting to move the lock.

Specifications

- Applications** To use as an auxiliary lock for quality residential and commercial buildings wherever additional security is desired.
- Door Ranges** 1-3/8" to 2" door thickness.
- Backset** 2-3/4" standard, 2-3/8" optional.
- Bolt** UL Listed, 1" throw, stainless steel deadbolt.
- Strike** 2-3/4" x 1-1/8" lipless.
- Finishes** 613(US10B), 626(US26D), Or special finishes upon request
- Faceplate** 2-3/4" backset standard with 2-1/4" x 1-1/8" faceplate; 2-3/8" backset with 2-1/4" x 1" faceplate.
- Bore Diameter** 1" edge bore for latch; 2-1/8" for lock.
- Handing** Completely reversible.
- Cylinder** Regular: 6 pin Schlage C keyway.
- I.C. Core** Fits Falcon and BEST I.C. cylinder.
- Certifications** Meets or exceeds ANSI A156.5 Grade 1 strength and operational requirements.



How To Order	
Series	DBF: Heavy Duty Deadbolt DBFI: Heavy duty deadbolt w/SFIC Less Core
Function	61: Single Cylinder, w/Thumb Turn 62: Double Cylinder
Backset	2-3/4" standard 2-3/8" optional
Finish	613/US10B Oxidized Satin Bronze, Oil Rubbed 626/US26D Satin Chrome Special Finishes Upon Request
Cylinder	SC: 6 pin standard SFIC: Small Format IC Core with or without core

Series Backset Cylinder

DBF - 61 - 2-3/4 - 613 - SC

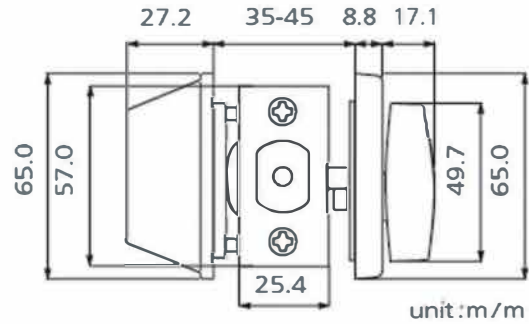
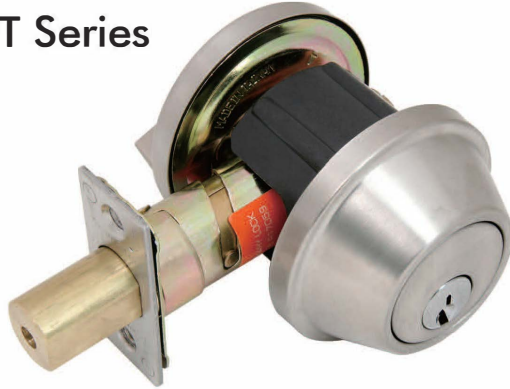
Function Finish

DBT Series

DEADBOLT LOCKS ANSI/BHMA Certified Grade 2 Deadbolt Locks



DBT Series



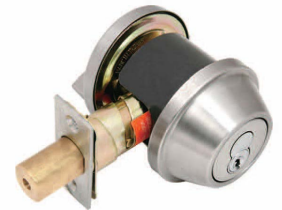
Specifications

ANSI	ANSI/BHMA A156.5-2001 Grade 2 Certified.
UL	3 hours fire rating certified
Door Thickness	1-3/8"-1-3/4" (35mm- 45mm), 2" (51mm) optional
Backset	2-3/4" (70mm) and 2-3/8" (60mm) adjustable
Strike	Rectangular with door reinforce 1-1/8" x 2-3/4" x 5/64" (28.4mm x69.8mm x 2.0mm), square corner standard
Latchbolt	Solid brass with hardened steel rod insert, full 1" (25.4mm) throw
Faceplate	1-1/8" x 2-1/4" (28.4mm x 57mm) , square corner
Cylinder	6pin solid brass cylinder, Schlage "C" keyway. Small Format IC Core available
Available Finish	US10B, US26D, Or special finishes upon request

Product Gallery



DBT-62



DBTI-61



Thumb Turn



DBT-70 Outside

Available Function

Series Number	Description
DBT-61	Single Cylinder
DBT-62	Double Cylinder
DBT-50	Thumb Turn Only
DBT-70	Thumb Turn with Indicator
DBT-65	Classroom
DBT-81	Cylinder with blank plate

Notes: Use DBTI as prefix for SFIC less core configuration

Code Compliance

- ANSI/BHMA A156.5-2001 Grade 2 Certified
- UL: Listed 3-hour fire rating
- BAA: Meets guidelines of the Buy American Act



How To Order

Series	DBT DeadBolt Lock		<p>Series Backset Keying</p> <p>DBT - 50 - 2-3/4 - 613 - SC</p> <p>Function Finish</p>
Series	50: Thumb Turn Only 62: Double cylinder 70: Thumb Turn with Indicator	61: Single cylinder, w/Thumb Turn 66: Classroom 81: Cylinder with blank plate	
Backset	2-3/4", 2-3/8" optional 2-3/4 -2/3/8" adjustable		
Finish	613/US10B Oxidized Satin Bronze, Oil Rubbed 626/US26D Satin Chrome Special Finishes Upon Request		
Cylinder	SC: 6 pin standard	SFIC : Small Format IC Core with or without core	

LID Series

Thumbturn Inside Only Deadlatch



UL Listed



Features

- Standalone deadlatch lock
- Ideal for residential security
- Deadlatch locks automatically when door closed.
- Combine the security and functionality benefit of a deadlock.

Specifications

- Door Thickness: 1-3/8" or 1-3/4"
- Backset: 2-3/8" - 2-3/4" adjustable
- Strike: 1" full lip with radius corners standard
- Faceplate: 1" x 1-1/4" with radius corner
- Deadlatch: Stainless Steel, Deadlocking
- Finishes: Flat Black (US19),
Satin Stainless Steel (US32D)
or special finishes upon request

Code Compliance

- Americans with Disabilities Act
- EU RoHS Directive 2002/95/EC
- UL 10C 3 Hour Rated
- Meets Buy American Act

Warranty

- 5-year limited for finish
- 10-year limited for mechanical

How To Order

Series	LID Series - C100	Series ↑ LID-C100 - 622 ↓ Finish
Finish	622: US19, Flat Black 630: US32D, Satin Stainless Steel Special Finishes Upon Request	

LID Series

Deadlatch Locks



UL Listed

Features

- Standalone deadlatch lock with Mechanical key
- Ideal for residential security
- Deadlatch locks automatically when door closed
- Combine the security and functionality benefit of a deadlock
- 3-hour UL fire rated

Specifications

- Optional double cylinder deadlatch – Retrack by Key from either side of the door.
- Door Thickness: 1-3/8" or 1-3/4"
- Backset: 2-3/8" - 2-3/4" adjustable
- Strike: 1" full lip with radius corners standard
- Faceplate: 1" x 1-1/4" with radius corner

Mechanical Specifications

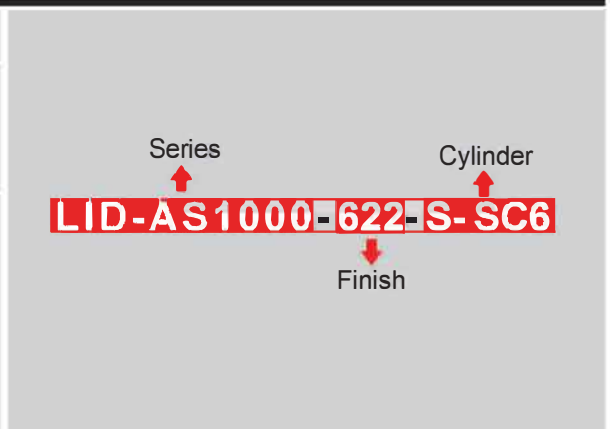
- Deadlatch: Stainless Steel, Deadlocking
- Cylinder: Standard-Single cylinder 6 pin Schlage "C" Optional–Double cylinders, SFIC/LFIC with or without core, HS or others upon request
- Finish: Flat Black (US19), Satin Chrome (US26D), Satin Stainless Steel (US32D), or special finishes upon request

Warranty

- 5-year limited for finish
- 10-year limited for mechanical

How To Order

Series	LID-AS1000
Finish	622: US19, Flat Black 626: US26D, Satin Chrome 630: US32D, Satin Stainless Steel Special Finishes Upon Request
Cylinder	Standard: - S: Single Cylinder - SC (KIK): Schlage "C" keyway, 5 or 6 pin Optional: - D: Double Cylinder - SFIC/LFIC: Small or Large format IC with or without core, 6 or 7 pin - HS: High Security TownSteel L keyway, 6 or 7 pin





TownSteel[®]
Architectural Hardware MFG

PRODUCT CATALOG

LIGATURE RESISTANT LOCKS

F

LIGATURE RESISTANT LOCKS

Subindex

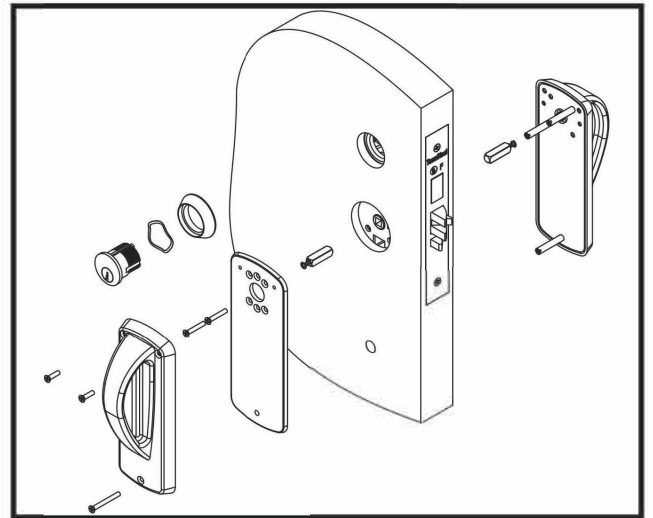
- 1 **MRX-A** Mortise Lock with Ligature Resistant Trim-Arch
- 2 **MRX** Ligature Resistant Status Indicator
- 3 **MRX-A** Ligature Resistant Pull
- 4 **ED-MRX-A** Rim Exit Device with Ligature Resistant Trim- Arch
- 5 **MRX-L** Mortise Lock with Ligature Resistant Trim-Lever
- 6 **MRX-K** Mortise Lock with Ligature Resistant Trim-Knob
- 7 **Functions** Ligature Resistant Mortise Series
- 10 **CRX-A** Cylindrical Lock with Ligature Resistant Trim-Arch
- 11 **TRX-L** Cylindrical Lock with Ligature Resistant Trim-Lever
- 12 **CRX-K** Cylindrical Lock with Ligature Resistant Trim-Knob
- 13 **Functions** Ligature Resistant Cylindrical Series
- 14 **DRX** Mortise Deadbolt Lock with Ligature Resistant Thumb Turn
- 15 **VRH** Ligature Resistant Hook
- 16 **XTRXL 2000, 4000, 5000BLE/RF, 6000** Electronic Ligature Resistant Cylindrical Lock
- 17 **XMRXA 2000, 4000, 5000BLE/RF, 6000** Electronic Ligature Resistant Mortise Lock
- 18 **XMRXL 2000, 4000, 5000BLE/RF, 6000** Electronic Ligature Resistant Mortise Lock
- 19 **XTRX-L / XTRX-L-303**
Electrified/Motorized Cylindrical Lock with Ligature Resistant Trim-Lever
- 20 **XMRX-A / XMRX-A-303**
Electrified/Motorized Mortise Lock with Ligature Resistant Trim-Arch
- 21 **XMRX-L / XMRX-L-303**
Electrified/Motorized Mortise Lock with Ligature Resistant Trim-Lever
- 22 **XMRX-K / XMRX-K-303**
Electrified/Motorized Mortise Lock with Ligature Resistant Trim-Knob
- 23 **Functions** Ligature Resistant Electrified Mortise Series
- 26 **Ligature Resistant Project References**

Product Introduction:

TownSteel is pleased to introduce the most complete line of Ligature Resistant locks available today in the commercial contract hardware industry: ADA 5-Point Ligature Resistant Arched Mortise Lock (MRX-A), ADA Ligature Resistant Levered Mortise Lock (MRX-L), ADA 5-Point Ligature Resistant Arched Cylindrical Lock (CRX-A), ADA Ligature Resistant Levered Cylindrical Lock (TRX-L), Ligature Resistant Conical Knob Mortise Lock (MRX-K), Ligature Resistant Conical Knob Cylindrical Lock (CRX-K), Mortise Deadbolt Lock with Ligature Resistant Thumb Turn (DRX), Electronic Ligature Resistant Cylindrical Lock (XTRXL 2000, 4000, 5000BLE/RF, 6000), Electronic Ligature Resistant Mortise Lock (XMRXA, XMRXL 2000, 4000, 5000BLE/RF, 6000), Electrified Ligature Resistant Cylindrical Lock (XTRX-L) and Electrified Ligature Resistant Mortise Lock (XMRX-A, XMRX-L, XMRX-K).

MRX-A

ANSI Grade 1 Mortise Lock with Ligature Resistant Trim-Arch



Specifications

- For facilities housing patients at risk
- For 1-3/4" door thickness, other upon request
- 2-3/4" backset
- Handed
- 630 (US32D) finish
- Stainless steel under plate, 7-1/2" x 2-3/4" x 1/2"
- 5-point ligature resistant stainless steel arch lever
- Stainless steel turn piece, ligature resistant, ADA
- Stainless steel faceplate, 1-1/4" x 8"
- Stainless steel strike, ASA, 1-1/4" x 4-7/8"
- Through-bolt mounting, tamper resistant mounting screws, for wood and metal door
- Brass cylinder with stainless steel cover, 6 pin, Schlage "C" keyway standard, 2 keys per cylinder
- Small Format IC available with or without core, 6 or 7 pin core
- Schlage Large Format IC available in less core
- Corbin Large Format IC available in less core, for 6 pin core
- High Security Cylinder available, TownSteel "L" keyway, 6 pin
- High Security Small Format IC Core available, TownSteel "L" keyway, 7 pin
- 10-year limited warranty

Code Compliance

- ANSI/BHMA: A156.13 Grade 1 Certified
- UL/ULC: UL 10C Listed 3 Hour Fire Rating
- BAA: Meets requirements of the Buy American Act
- ADA: Meets requirements of the Americans with Disabilities Act

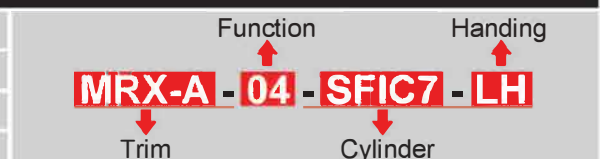


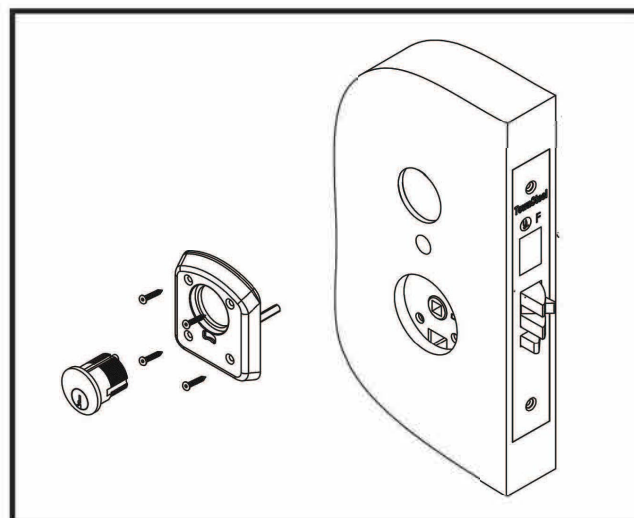
Important Note

It is TownSteel's position that if any of our keyed locks are to be used less cylinder, whether I.C. or standard, and another manufacturer's cylinder is to be used in place of the TownSteel original manufacturer's cylinder, that a sample of that product be provided to TownSteel in advance for testing.

How To Order

Trim	MRX-A Ligature Resistant Mortise Arch Trim
Function	Please Refer to Function Sheet
Cylinder	SC / SFIC6 / SFIC7 / CLFIC6 / SLFIC / L6 / L7
Handing	LH / RH / LHR / RHR





Specifications

- Privacy indicator solution for ligature resistance
- Used on MRX-S-L, MRX-S-K and MRX-A trim
- Stainless steel indicator housing
- Tamper resistant screws
- Red or Green window to indicate status
- 630 (US32D) finish
- Tapered edges around perimeter
- 10-year limited warranty

Code Compliance

- ANSI/BHMA: A156.13 Grade 1 Certified
- UL/ULC: UL 10C Listed 3 Hour Fire Rating
- BAA: Meets requirements of the Buy American Act
- ADA: Meets requirements of the Americans with Disabilities Act



How To Order	
Trim	Ligature Resistant with Status Indicator (O)
Function	F05 / F13 / F15 / F26 / F46
Handing	LH / RH / LHR / RHR

MRX-S-L - 05 - O - LH

↓ ↓ ↓

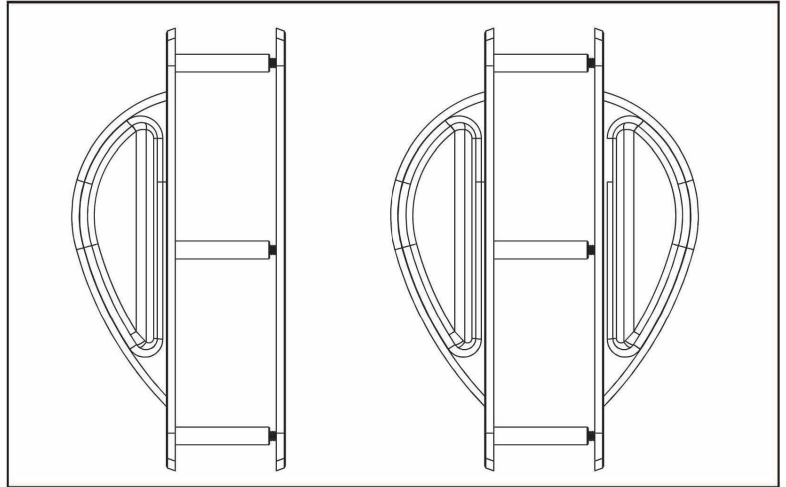
Trim Function Handing

↑ ↑ ↑

MRX-A - 13 - O - LH

MRX-A

Ligature Resistant Pull



Specifications

- For facilities housing patients at risk
- 0.158" gauge stainless steel plate, Type 304, 3" (W) x 7-3/4"(H)
- 5 point ligature resistant stainless steel arch lever
- Through-bolt mounting
- For wood or hollow metal doors, 1-3/4" thick
- 8-32 tamper resistant stainless steel mounting screws
- 630 (US32D) finish
- Pair or single pull
- 10-year limited warranty

Code Compliance

- BAA: Meets requirements of the Buy American Act
- ADA: Meets requirements of the Americans with Disabilities Act



How To Order

Trim	MRX-A Ligature Resistant Pull	Trim ↑ MRX-A - Function ↑ 72
Function	F41 (Single Dummy) F72 (Back to back Double Dummy)	

ED-MRX-A

Rim Exit Device with Ligature Resistant Trim- Arch



Ligature Resistant Trim Specifications

- For facilities housing patients at risk
- For 1-3/4" door thickness, other upon request
- 2-3/4" backset
- Handed
- 630 (US32D) finish
- Stainless steel under plate, 7-1/2" x 2-3/4" x 1/2"
- 5-point ligature resistant stainless steel arch lever
- Stainless steel turn piece, ligature resistant, ADA
- Stainless steel faceplate, 1-1/4" x 8"
- Stainless steel strike, ASA, 1-1/4" x 4-7/8"
- Through-bolt mounting, tamper resistant mounting screws, for wood and metal door
- 10-year limited warranty

Rim Exit Device Specifications

- Strikes: 900 Rigid Strike standard
- Alarm: Available with AK9
- Latch bolt: Stainless Steel, 3/4" (19mm) throw
- Dead Latch bolt: Stainless Steel
- Dogging Feature: 1/2 turn hex dogging standard for non-fire rated devices
- Cylinder Dogging: Available with CD9
- Door Size: 36" (914mm) standard, 48" (1219mm) available
- Minimum Stile Width: 4 3/4" (120mm)
- 10-year limited warranty

Code Compliance

ANSI/BHMA: A156.13 Grade 1 Certified
 UL/ULC: UL 10C Listed 3 Hour Fire Rating
 BAA: Meets requirements of the Buy American Act
 ADA: Meets requirements of the Americans with Disabilities Act

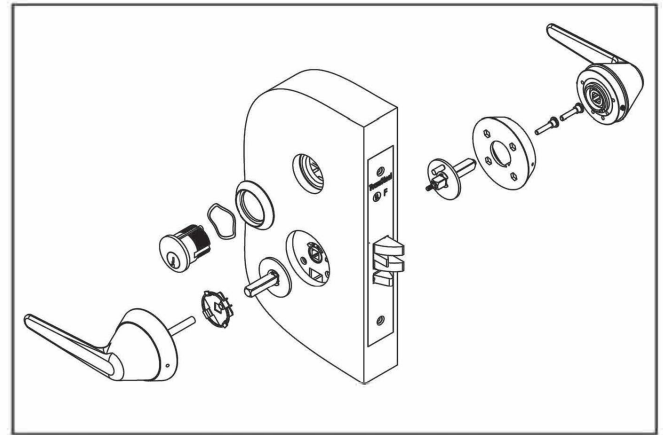


How To Order

Trim	ED-MRX-A-Rim Exit Device with Ligature Resistant Arch Trim	<div style="text-align: center;"> <p>Function</p> <p>ED-MRX-A - 01 - LHR</p> <p>Trim Handing</p> </div>
Function	F01 (Passage), F41 (Dummy)	
Handing	LHR / RHR	

MRX-L

ANSI Grade 1 Mortise Lock with Ligature Resistant Trim-Lever



Specifications

- For facilities housing patients at risk
- For 1-3/4" door thickness, other upon request
- 2-3/4" backset
- Handed, field reversible
- 630 (US32D) finish
- Stainless steel rose (MRX-S-L), 2-3/4" in diameter
- Stainless steel escutcheon (MRX-E-L), 8"x3-1/4"x1/8"
- Stainless steel lever, ligature resistant
- Stainless steel turn piece, ligature resistant, ADA
- Stainless steel faceplate, 1-1/4" x 8"
- Stainless steel strike, ASA, 1-1/4" x 4-7/8"
- Through-bolt mounting, tamper resistant mounting screws, for wood and metal door
- Brass cylinder with stainless steel cover, 6 pin, Schlage "C" keyway standard, 2 keys per cylinder
- Small Format IC available with or without core, 6 or 7 pin core
- Schlage Large Format IC available in less core
- Corbin Large Format IC available in less core, for 6 pin core, Sargent Large format IC
- High Security Cylinder available, TownSteel "L" keyway, 6 pin
- High Security Small Format IC Core available, TownSteel "L" keyway, 7 pin
- 10-year limited warranty

Code Compliance

- ANSI/BHMA: A156.13 Grade 1 Certified
- UL/ULC: UL 10C Listed 3 Hour Fire Rating
- BAA: Meets requirements of the Buy American Act
- ADA: Meets requirements of the Americans with Disabilities Act



Important Note

It is TownSteel's position that if any of our keyed locks are to be used less cylinder, whether I.C. or standard, and another manufacturer's cylinder is to be used in place of the TownSteel original manufacturer's cylinder, that a sample of that product be provided to TownSteel in advance for testing.

How To Order

Trim	MRX-E-L Ligature Resistant Lever Mortise-Escutcheon Trim MRX-S-L Ligature Resistant Lever Mortise-Sectional Trim	
Function	Please Refer to Function Sheet	
Cylinder	SC / SFIC6 / SFIC7 / CLFIC6 / SLFIC / L6 / L7	
Handing	LH / RH / LHR / RHR	

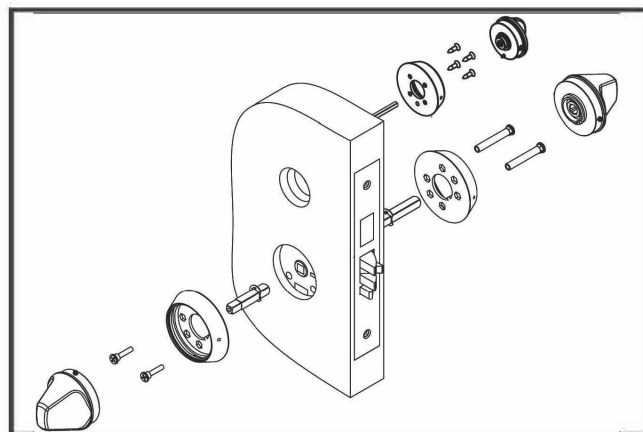
MRX-E-L - 04 - SFIC7 - LH

Trim Cylinder

Function Handing

MRX-K

ANSI Grade 1 Mortise Lock with Ligature Resistant Trim-Knob



Specifications

- For facilities housing patients at risk
- For 1-3/4" door thickness, other upon request
- 2-3/4" backset
- Handed, field reversible
- 630 (US32D) finish
- Stainless steel rose (MRX-S-K), 2 3/4" in diameter
- Stainless steel escutcheon (MRX-E-K), 8" x 3-1/4" x 1/8"
- Stainless steel knob, ligature resistant
- Stainless steel turn piece
- Stainless steel faceplate, 1-1/4" x 8"
- Stainless steel strike, ASA, 1-1/4" x 4-7/8"
- Through-bolt mounting, tamper resistant mounting screws, for wood and metal door
- Brass cylinder with stainless steel cover, 6 pin, Schlage "C" keyway standard, 2 keys per cylinder
- Small Format IC available with or without core, 6 or 7 pin core
- Schlage Large Format IC available in less core
- Corbin Large Format IC available in less core, for 6 pin core, Sargent Large format IC
- High Security Cylinder available, TownSteel "L" keyway, 6 pin
- High Security Small Format IC Core available, TownSteel "L" keyway, 7 pin
- 10-year limited warranty

Code Compliance

- ANSI/BHMA: A156.13 Grade 1 Certified
- UL/ULC: UL 10C Listed 3 Hour Fire Rating
- BAA: Meets requirements of the Buy American Act



Important Note

It is TownSteel's position that if any of our keyed locks are to be used less cylinder, whether I.C. or standard, and another manufacturer's cylinder is to be used in place of the TownSteel original manufacturer's cylinder, that a sample of that product be provided to TownSteel in advance for testing.

How To Order

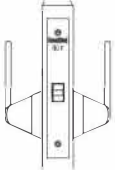



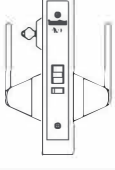

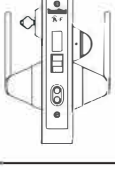
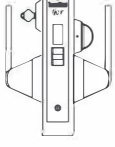
Trim	MRX-E-K Ligature Resistant Knob Mortise-Escutcheon Trim MRX-S-K Ligature Resistant Knob Mortise-Sectional Trim
Function	Please Refer to Function Sheet
Cylinder	SC / SFIC6 / SFIC7 / CLFIC6 / SLFIC / L6 / L7
Handing	LH / RH / LHR / RHR



Functions

Ligature Resistant Mortise Series

**Levers rotate up and down freely in the locked or unlocked positions*

Outside	Inside	Series/ Function	Type	ANSI No.	Function Description
		MRXL-01 MRXK-01 MRXA-01	Passage or Closet	F01	Latch bolt operated by lever from either side at all times.
		MRXL-02 MRXK-02 MRXA-02	Privacy or Bathroom	F02	Latch bolt operated by lever from either side. Dead bolt operated by turn from inside and emergency release from outside.
		MRXL-04 MRXK-04 MRXA-04	Entry/ Office	F04	Latch bolt operated by lever from either side, except when outside lever is made inoperative by a push button rocker. When outside lever is locked, latch bolt is retracted by key from outside or by operating inside lever. ***Auxiliary dead latch.
		MRXL-05 MRXK-05 MRXA-05	Classroom	F05	Latch bolt operated by lever from either side, except when outside lever is locked from outside by key. When outside lever is locked, latch bolt may be retracted by key, or by operating key and outside lever or by operating inside lever. ***Auxiliary dead latch.
		MRXL-07 MRXK-07 MRXA-07	Storeroom or Closet	F07	Latch bolt operated by key from outside or by rotating inside lever. Outside lever is always inoperative. ***Auxiliary dead latch.
		MRXL-08 MRXK-08 MRXA-08	Front Door or Corridor Lock	F08	Latch bolt operated by lever from either side, except when outside lever is made inoperative by a push button rocker. Dead bolt is operated by turn inside. Key outside operates both bolts.
		MRXL-12 MRXK-12 MRXA-12	Dormitory or Exit	F12	Latch bolt operated by lever from either side, except when outside lever is made inoperative by a push button rocker. Dead bolt projected by key from outside and by turn from inside. Deadbolt retracted by key from outside and by turn from inside. Operating inside lever retracts both bolts and outside remains locked.
		MRXL-13 MRXK-13 MRXA-13	Dormitory or Exit	F13	Latch bolt operated by lever from either side. Dead bolt projected by key from outside and thumb turn from inside. Operating inside lever retracts both bolts and unlocks outside.

Functions

Ligature Resistant Mortise Series





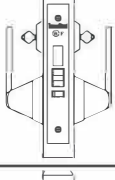


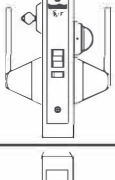
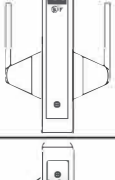
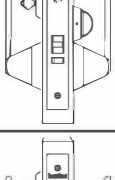
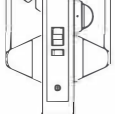
**Levers rotate up and down freely in the locked or unlocked positions*

Outside	Inside	Series/ Function	Type	ANSI No.	Function Description
		MRXL-14 MRXA-14	Store Door Lock	F14	Latch bolt operated by lever from either side. Dead bolt operated by key from either side.
		MRXL-15 MRXK-15 MRXA-15	Hotel or Motel	F15	Latch bolt operated by key from outside or by rotating inside lever. Outside lever is always inoperative. Dead bolt operated by thumb turn from inside and all keys except emergency and display key are shut out. Operating inside lever retracts both bolts. ***Auxiliary dead latch.
		MRXL-19 MRXK-19 MRXA-19	Privacy or Bathroom	F19	Latch bolt operated by lever from either side. Dead bolt operated by turn from inside and emergency release from outside. Operating inside lever retracts both bolts.
		MRXL-20 MRXK-20 MRXA-20	Apartment/ Corridor	F20	Latch bolt operated by lever from either side, except when outside lever is made inoperative by push button rocker. Dead bolt projected by key from outside and by thumb turn from inside. Key outside operates both bolts. Operating inside lever retracts both bolts and outside remains locked. Latch bolt is deadlocked when outside lever is made inoperative or when the dead bolt is projected. When dead bolt is retracted, lever is unlocked by stop or mechanical means other than key.
		MRXL-22 MRXK-22 MRXA-22	Privacy	F22	Latch bolt operated by lever from either side, except when outside lever is locked by inside turn. Operating inside lever, closing door or operating outside emergency release unlocks outside lever.
		MRXL-26 MRXK-26 MRXA-26	Institutional Privacy	F26	Latch bolt operated by lever from either side except when outside lever is locked by turn inside. Latch bolt operated by key outside with override of turn inside when manually held in locked position. Operating inside lever or closing door unlocks outside lever. ***Auxiliary dead latch.
		MRXL-29 MRXK-29 MRXA-29	Classroom Dead Lock	F29	Key from outside operates dead bolt. Turn from inside retracts but does not project dead bolt.
		MRXL-30 MRXK-30 MRXA-30	Institutional	F30	Latch bolt operated by key either side. Both levers always inoperative. ***Auxiliary dead latch.

Functions

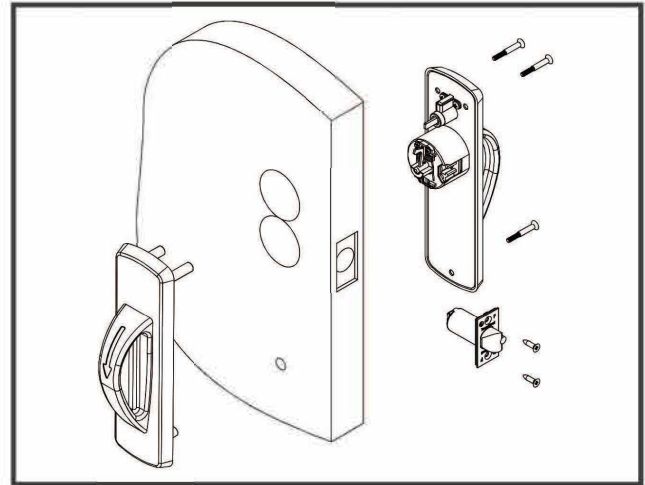
Ligature Resistant Mortise Series

**Levers rotate up and down freely in the locked or unlocked positions*

Outside	Inside	Series/ Function	Type	ANSI No.	Function Description
		MRXL-32 MRXK-32 MRXA-32	Intruder Latch bolt	F32	Latch bolt operated by lever either side, except when outside lever is locked from inside or outside by key. When outside lever is locked, latch bolt is retracted by key from inside or outside or by operating inside lever. ***Auxiliary dead latch
		MRXL-33 MRXK-33 MRXA-33	Intruder Dead bolt	F33	Latch bolt operated by lever either side, except when outside lever is locked from inside or outside by key. Dead bolt operated by key either side. Inside lever retracts both bolts and unlocks outside lever.
		MRXL-34 MRXK-34 MRXA-34	Intruder Dead bolt	F34	Latch bolt operated by lever either side, except when outside lever is locked from inside or outside by key. Dead bolt operated by key either side. Operating inside lever retracts both bolts and unlocks outside. *** Auxiliary dead latch or latch bolt dead locked when dead bolt is thrown.
		MRXL-35 MRXK-35 MRXA-35	Storeroom with Dead bolt	F35	Latch bolt operated by lever from either side, except when outside lever is made inoperative by a push button rocker. Dead bolt operated by key from either side.
		MRXA-41	Single Dummy	F41	Dummy trim on one side, blank plate on the other side.
		MRXL-46 MRXK-46	Institutional Privacy with key locked feature		Latch bolt operated by lever from either side except when outside lever is locked by turn inside or key outside. Latch bolt operated by key outside with override of turn inside when manually held in locked position. Operating inside lever or closing door unlocks outside lever. ***Auxiliary dead latch.
		MRXA-72	Back to back Double Dummy	F72	Dummy trim on both sides.
		MRXL-RF MRXK-RF	Female Privacy RF		Latch bolt operated by lever from either side except when outside lever is locked from outside by key or inside turn. When outside lever is locked latch bolt may be retracted by inside lever or outside lever when unlocked by key. Inside lever retracts the latch bolt but does not unlock the outside lever.
		MRXL-LTF MRXK-LTF	Female Privacy LTF		Latch bolt operated by lever from either side except when outside lever is locked from outside by key or inside turn. When outside lever is locked latch bolt may be retracted by inside lever or outside lever when unlocked by key. Operating the inside lever or closing the door unlocks the outside lever.

CRX-A

ANSI Grade 1 Cylindrical Lock with Ligature Resistant Trim-Arch



Specifications

- For facilities housing patients at risk
- ANSI Grade 1 heavy duty cylindrical with 5-point ligature resistant arch trim
- Backset 2-3/4" standard, 2 3/8", 5" optional
- Door thickness: 1-3/4", other upon request
- 630 (US32D) finish
- Stainless steel arch trim, 2-5/8" projection
- Stainless steel plate, 9-5/8" x 2-13/16"
- Stainless steel deadlocking latch bolt, 1/2" throw
- Stainless steel ASA strike standard
- Tamper resistant mounting screws
- Handed
- Schlage "C" keyway, brass 6 pin cylinder standard
- Best® Small Format I.C. available, 6 or 7 pin, with or without core
- Corbin, Schlage, Yale, Sargent Large Format I.C. available less core
- High security cylinder available, TownSteel "L" keyway, 6 pin
- KD standard, KA, MK, GMK, GGMK and construction keying available
- Available functions: F-75, 76, 81, 84, 86, Single Dummy(F-41), Pair Dummy(F-72)
- Door Prep: 161 plus 2-1/8" cylinder hole and 1/2" bottom post hole
- 10-year limited warranty

Code Compliance

- ANSI/BHMA: A156.2 Grade 1 Certified
- UL/ULC: UL 10C Listed 3 Hour Fire Rating
- BAA: Meets requirements of the Buy American Act
- ADA: Meets requirements of the Americans with Disabilities Act



Important Note

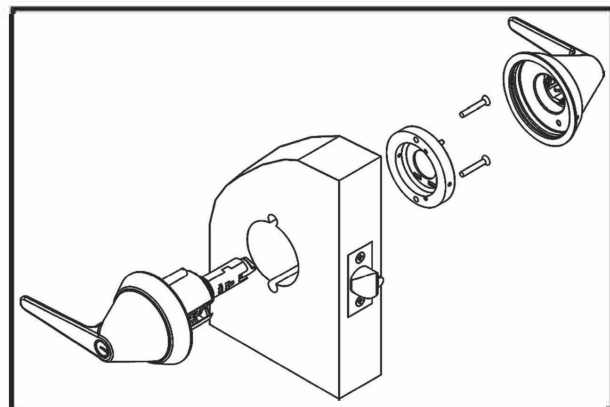
It is TownSteel's position that if any of our keyed locks are to be used less cylinder, whether I.C. or standard, and another manufacturer's cylinder is to be used in place of the TownSteel original manufacturer's cylinder, that a sample of that product be provided to TownSteel in advance for testing.

How To Order

Trim	CRX-A Ligature Resistant Arch Grade 1 Cylindrical Lock	<div style="text-align: center;"> <p>Function Handing</p> <p>CRX-A - 86 - SC - LH</p> <p>↓ ↓</p> <p>Trim Cylinder</p> </div>
Function	Please refer to Function sheet	
Cylinder	SC / SFIC6 / SFIC7 / CLFIC6 / SLFIC / L6	
Handing	LH / RH / LHR / RHR	

TRX-L

ANSI Grade 1 Cylindrical Lock with Ligature Resistant Trim-Lever



Specifications

- For facilities housing patients at risk
- For door thickness 1-3/4"-2"
- 2-3/4" backset standard, 5" optional
- Non-handed
- Refer to function sheet for available functions
- 630 (US32D) finish
- Stainless steel rose, 3-5/8" in diameter
- Stainless steel lever, ligature resistant
- Stainless steel faceplate, 1-1/8" x 2-1/4"
- Stainless steel strike, ASA, 1-1/4" x 4-7/8"
- Through-bolt mounting, tamper resistant mounting screws, for wood and metal door
- Brass cylinder with stainless steel cover, 6 pin, Schlage "C" keyway standard, 2 keys per cylinder
- Small Format IC available with or without core, 6 or 7 pin core
- Schlage® Large Format I.C. less core available
- Corbin® Large Format I.C. less core available
- High Security Cylinder available, TownSteel "L" keyway, 6 pin
- High Security Small Format IC Core available, TownSteel "L" keyway, 7 pin
- 10-year limited warranty

Code Compliance

- ANSI/BHMA: A156.2 Grade 1 Certified
- UL/ULC: UL 10C Listed 3 Hour Fire Rating
- BAA: Meets requirements of the Buy American Act
- ADA: Meets requirements of the Americans with Disabilities Act



Important Note

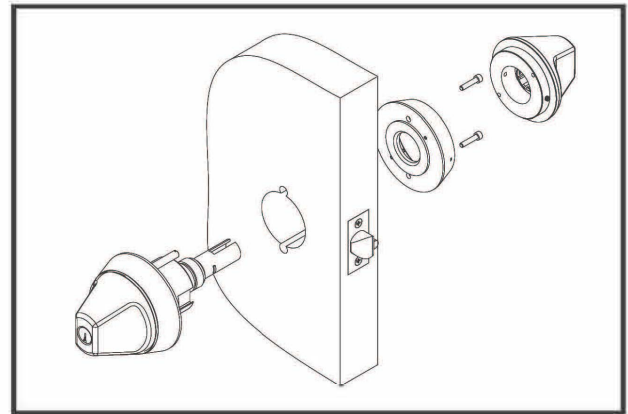
It is TownSteel's position that if any of our keyed locks are to be used less cylinder, whether I.C. or standard, and another manufacturer's cylinder is to be used in place of the TownSteel original manufacturer's cylinder, that a sample of that product be provided to TownSteel in advance for testing.

How To Order

Trim	TRX-L Ligature Resistant Lever Grade 1 Cylindrical Lock	Function TRX-L - 86 - SC ↓ ↓ Trim Cylinder
Function	Please Refer to Function Sheet	
Cylinder	SC / SFIC6 / SFIC7 / CLFIC6 / SLFIC / L6 / L7	

CRX-K

Cylindrical Lock with Ligature Resistant Trim-Knob



Specifications

- For facilities housing patients at risk
- For door thickness 1-3/4"-2"
- 2-3/4" backset standard, 5" optional
- Non-handed
- Refer to Function Section for available functions
- 630 (US32D) finish
- Stainless steel rose, 4" in diameter
- Stainless steel knob, ligature resistant
- Stainless steel faceplate, 1-1/8" x 2-1/4"
- Stainless steel strike, ASA, 1-1/4" x 4-7/8"
- Through-bolt mounting, tamper resistant mounting screws, for wood and metal door
- Brass cylinder with stainless steel cover, 6 pin, Schlage "C" keyway standard, 2 keys per cylinder
- Small Format IC not available
- High Security Cylinder available, TownSteel "L" keyway, 6 pin
- 10-year limited warranty

Code Compliance

- ANSI/BHMA A156.2: Meet Industry Standard
- UL/ULC: UL 10C Listed 3 Hour Fire Rating
- BAA: Meets requirements of the Buy American Act



Important Note

It is TownSteel's position that if any of our keyed locks are to be used less cylinder, whether I.C. or standard, and another manufacturer's cylinder is to be used in place of the TownSteel original manufacturer's cylinder, that a sample of that product be provided to TownSteel in advance for testing.





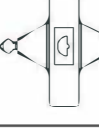
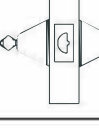
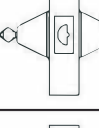
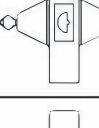
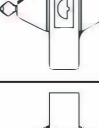
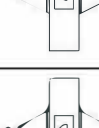

How To Order

Trim	CRX-K Ligature Resistant Knob Grade 1 Cylindrical Lock	<p>Function</p> <p>CRX-K - 84 - SC</p> <p>Trim Cylinder</p>
Function	Please Refer to Function Sheet	
Cylinder	SC / L6	

Functions

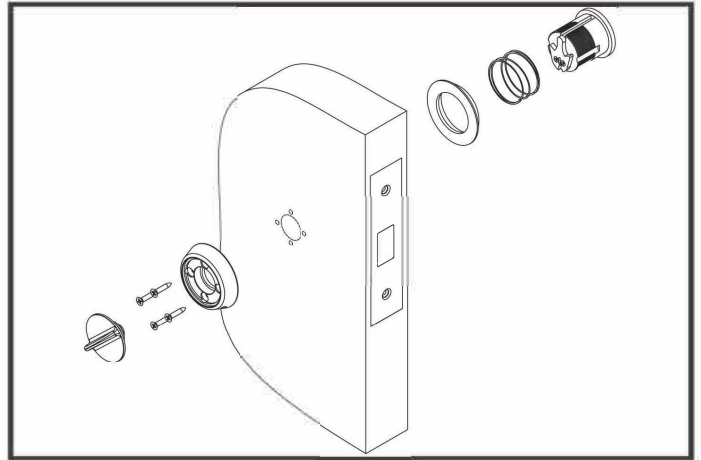
Ligature Resistant Cylindrical Series

**Levers rotate up and down freely in the locked or unlocked positions*

Outside	Inside	Series/ Function	Type	ANSI No.	Function Description
		CRXA-41	Single Dummy		Dummy trim on one side, blank plate on the other side.
		CRXA-72 CRXK-72 TRXL-72	Double Dummy	F72	Dummy trim on both sides.
		CRXA-75 CRXK-75 TRXL-75	Passage / Closet	F75	Latch bolt operated by lever or knob from either side at all times.
		CRXA-76 CRXK-76 TRXL-76	Privacy	F76	Latch bolt operated by lever or knob from either side. Outside lever or knob is locked by push button inside and unlocked by emergency release outside, operating inside lever or knob or closing door.
		TRXL-80	Communicating	F80	Deadlocking latchbolt operated by lever from either side. Turning key in either lever locks or unlocks its own lever independently. Do not use on doors in rooms that have no other entrance.
		CRXA-81 CRXK-81	Entry / Office	F81	Turn/Push button locking. Pushing and turning button locks outside lever or knob requiring use of key until button is manually unlocked. Pushing button locks outside lever or knob until unlocked from outside by key or operating inside lever or knob. Dead locking latch bolt.
		CRXA-84 CRXK-84 TRXL-84	Classroom	F84	Deadlocking latch bolt operated by lever or knob from either side except when outside lever or knob is locked from outside by key. When outside lever or knob is locked, latch bolt is operated by key in outside lever or knob or operating inside lever or knob.
		CRXA-86 CRXK-86 TRXL-86	Storeroom	F86	Deadlocking latch bolt operated by key in outside lever or knob or operating inside lever or knob. Outside lever or knob is always non-active.
		CRXK-87 TRXL-87	Asylum	F87	Deadlocking latch bolt operated by key in lever or knob from either side. Both levers or knobs always non-active.
		TRXL-109	Entry/Office	F109	Dead locking latch bolt operated by lever from either side except when outside lever is locked by the push or turn button on inside. Key outside or operating inside lever releases push or turn button unlocking outside lever except when push or turn button has been rotated to keep outside lever locked. Inside push or turn button must be manually operated to unlock outside lever. Inside lever always operates latch bolt
		CRXK-110 TRXL-110	Classroom Intruder	F110	Deadlocking Latch bolt operated by knob from either side except when outside knob is locked from the inside or outside by key. When outside knob is locked latch bolt is operated by inside knob or unlocked by key in outside or inside knob.

DRX

ANSI Grade 1 Mortise Deadbolt Lock with Ligature Resistant Thumb Turn



Specifications

DRX Series- Heavy duty commercial quality deadbolt that provides a positive deterrent to forced entry. The health safety thumb turn design enhances opportunity to reduce accidents in health care facilities, detention centers and potential high risk areas. It is also designed to be an integral part of your Accident Prevention and Safety Program. Schlage C keyway, standard Small Format 6 or 7 pin Interchangeable Core (SFIC) available. 630 (US32D) Finish. Thumb turn, ADA compliant. 10-year limited warranty.

Code Compliance

- ANSI/BHMA: A156.13 Grade 1 Certified
- UL/ULC: UL 10C Listed 3 Hour Fire Rating
- BAA: Meets requirements of the Buy American Act
- ADA: Meets requirements of The Americans with Disabilities Act



DRX Functions

ANSI F09		Deadbolt operated by key from outside and turn from inside turn retracts but does not project deadbolt
ANSI F07		Deadbolt operated by key from outside and turn from inside
ANSI F18		Deadbolt operated by turn from one side only, no trim on other side

Important Note

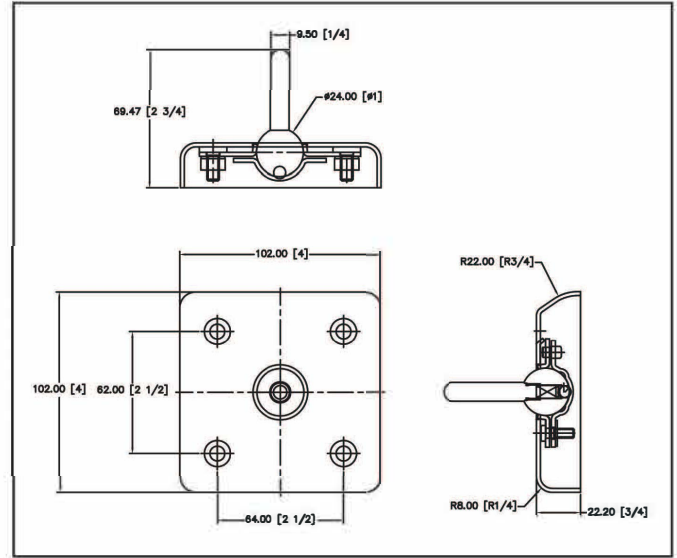
It is TownSteel's position that if any of our keyed locks are to be used less cylinder, whether I.C. or standard, and another manufacturer's cylinder is to be used in place of the TownSteel original manufacturer's cylinder, that a sample of that product be provided to TownSteel in advance for testing.

How To Order

Trim	DRX Ligature Resistant Mortise Deadbolt Lock	<p>Function</p> <p>DRX - 18 - SFIC7</p> <p>Trim Cylinder</p>
Function	F09 / F07 / F18	
Cylinder	SC / SFIC6 / SFIC7 / CLFIC6 / SLFIC	

VRH

Ligature Resistant Hook



Specifications

- For facilities housing patients at risk
- Ideal for hospital, school and other institutions
- 14 gauge heavy duty 18-8, type-304 stainless steel back plate
- Stainless steel pivoting ball joint releases when over 10lbs of force applied
- Pivoting ball tension adjustable
- Surface mounted
- Furnished with tamper resistant #14 x 1-1/2" sheet metal screws
- 630 (US32D) finish
- 10-year limited warranty

Code Compliance

- BAA: Meets requirements of the Buy American Act
- ADA: Meets requirements of The Americans with Disabilities Act



XTRXL 2000, 4000, 5000BLE/RF, 6000

ANSI Grade 1 Electronic Ligature Resistant Cylindrical Lock



Mechanical Specifications

- ANSI/BHMA grade 1 cylindrical Lockset
- UL 10C 3 Hour Rated
- Solid stainless steel trim with tamper resistant fasteners
- Backset 2-3/4", 2-3/8", 5" options
- Door thickness: 1-3/4", other upon request
Stainless steel latch bolt
- ASA strike, stainless steel or plated
- Handing is field reversible
- 630 (US32D) finish
- Warranty: 2-year limited for electronic;
10-year limited for mechanical

Electronic Specifications

- Programmable at the lock or via TSE Home app
- 12 key illuminated touch keypad (4000/5000 series)
- 12 key illuminated metal button keypad (2000 series)
- 4-6 digit PIN (2000 series)
- 6-10 digit PIN code (4000/5000 series)
- TSE Home app for 5000 series
- 400 PIN code or RFID credential capacity (4000/5000 series)
- 100 PIN code capacity (2000 series)
- Non-volatile memory
- Battery operated
- Low battery warning
- Weather resistant

Code Compliance

- ANSI/BHMA: A156.2 Grade 1 Certified
- UL/ULC: UL 10C Listed 3 Hour Fire Rating
- BAA: Meets requirements of the Buy American Act
- ADA: Meets requirements of The Americans with Disabilities Act



Important Note

It is TownSteel's position that if any of our keyed locks are to be used less cylinder, whether I.C. or standard, and another manufacturer's cylinder is to be used in place of the TownSteel original manufacturer's cylinder, that a sample of that product be provided to TownSteel in advance for testing.

How To Order

Trim	XTRXL Electronic Ligature Resistant Cylindrical with Lever	XTRXL - 4000 - SC Trim Cylinder
Function	2000, 4000, 5000BLE, 5000RF, 6000	
Cylinder	SC / SFIC6 / SFIC7 / CLFIC6 / SLFIC / L6 / L7	

XMRXA 2000, 4000, 5000BLE/RF, 6000

ANSI Grade 1 Electronic Ligature Resistant Mortise Lock



Mechanical Specifications

- For facilities housing patients at risk
- Door Thickness: 1-3/4"
- Backset: 2-3/4"
- Handed
- Latch Bolt: stainless steel, deadlocking, 1/2" throw
- Faceplate: 1-1/8" x 2-1/4"
- Strike: ASA strike standard, 1-1/4" x 4-7/8"
- Arch Trim: Stainless Steel
- 6 pin Schlage® C keyway, standard
- Small format IC (SFIC) with or without core
- Best IC core, 6 or 7 pin core, Best® "A" keyway
- Corbin, Schlage, Yale, Sargent Large Format I.C. available less core
- High security 6 pin cylinder with TownSteel "L" keyway
- High security 7 pin SFIC core with TownSteel "L" keyway
- 630 (US32D) finish
- Warranty: 2-year limited for electronic; 10-year limited for mechanical

Electronic Specifications

- Programmable at the lock or via TSE Home app
- 12 key illuminated touch keypad (4000/5000 series)
- 12 key illuminated metal button keypad (2000 series)
- 4-6 digit PIN (2000 series)
- 6-10 digit PIN code (4000/5000 series)
- TSE Home app for 5000 series
- 400 PIN code or RFID credential capacity (4000/5000 series)
- 100 PIN code capacity (2000 series)
- Non-volatile memory
- Battery operated
- Low battery warning
- Weather resistant

Code Compliance

- ANSI/BHMA: A156.13 Grade 1 Certified
- UL/ULC: UL 10C Listed 3 Hour Fire Rating
- BAA: Meets requirements of the Buy American Act
- ADA: Meets requirements of The Americans with Disabilities Act

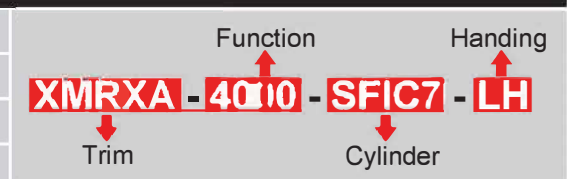


Important Note

It is TownSteel's position that if any of our keyed locks are to be used less cylinder, whether I.C. or standard, and another manufacturer's cylinder is to be used in place of the TownSteel original manufacturer's cylinder, that a sample of that product be provided to TownSteel in advance for testing.

How To Order

Trim	XMRXA Electronic Ligature Resistant Mortise with Arch Trim
Function	2000, 4000, 5000BLE, 5000RF, 6000
Cylinder	SC / SFIC6 / SFIC7 / CLFIC6 / SLFIC / L6 / L7
Handing	LH / RH / LHR / RHR



XMRXL 2000, 4000, 5000BLE/RF, 6000



ANSI Grade 1 Electronic Ligature Resistant Mortise Lock



Sectional

Escutcheon

Mechanical Specifications

- For facilities housing patients at risk
- Door Thickness: 1-3/4"
- Backset: 2-3/4"
- Handed
- Latch Bolt: stainless steel, deadlocking, 1/2" throw
- Faceplate: 1-1/8" x 2-1/4"
- Strike: ASA strike standard, 1-1/4" x 4-7/8"
- Escutcheon: Stainless Steel
- Lever: Stainless Steel
- 6 pin Schlage® C keyway, standard
- Small format IC (SFIC) with or without core
- Best IC core, 6 or 7 pin core, Best® "A" keyway
- Corbin, Schlage, Yale, Sargent Large Format I.C. available less core
- High security 6 pin cylinder with TownSteel "L" keyway
- High security 7 pin SFIC core with TownSteel "L" keyway
- 630 (US32D) finish
- Warranty: 2-year limited for electronic; 10-year limited for mechanical

Electronic Specifications

- Programmable at the lock or via TSE Home app
- 12 key illuminated touch keypad (4000/5000 series)
- 12 key illuminated metal button keypad (2000 series)
- 4-6 digit PIN (2000 series)
- 6-10 digit PIN code (4000/5000 series)
- TSE Home app for 5000 series
- 400 PIN code or RFID credential capacity (4000/5000 series)
- 100 PIN code capacity (2000 series)
- Non-volatile memory
- Battery operated
- Low battery warning
- Weather resistant

Code Compliance

- ANSI/BHMA: A156.13 Grade 1 Certified
- UL/ULC: UL 10C Listed 3 Hour Fire Rating
- BAA: Meets requirements of the Buy American Act
- ADA: Meets requirements of The Americans with Disabilities Act



Important Note

It is TownSteel's position that if any of our keyed locks are to be used less cylinder, whether I.C. or standard, and another manufacturer's cylinder is to be used in place of the TownSteel original manufacturer's cylinder, that a sample of that product be provided to TownSteel in advance for testing.

How To Order

Trim	XMRX-S-L & XMRX-E-L Electronic Ligature Resistant Mortise with lever	Function	Handing
Function	2000, 4000, 5000BLE, 5000RF, 6000	XMRX-E-L - 4000 - SFIC7 - LH	↓ Trim ↓ Cylinder
Cylinder	SC / SFIC6 / SFIC7 / CLFIC6 / SLFIC / L6 / L7		
Handing	LH / RH / LHR / RHR		

XTRX-L / XTRX-L-303

ANSI Grade 1 Electrified/Motorized Cylindrical Lock with Ligature Resistant Trim-Lever



Mechanical Specifications

- For facilities housing patients at risk
- For door thickness 1-3/4"-2"
- 2-3/4" backset standard, 5" optional
- Non-handed
- 630 (US32D) finish
- Stainless steel rose, 3-5/8" in diameter
- Stainless steel lever, ligature resistant
- Stainless steel faceplate, 1-1/8" x 2-1/4"
- Stainless steel strike, ASA, 1-1/4" x 4-7/8"
- Through-bolt mounting, tamper resistant mounting screws, for wood and metal door
- Brass cylinder with stainless steel cover, 6 pin, Schlage "C" keyway standard, 2 keys per cylinder
- Small Format IC available with or without core, 6 or 7 pin core
- Schlage® Large Format I.C. less core available
- Corbin® Large Format I.C. less core available
- High Security Cylinder available, TownSteel "L" keyway, 6 pin
- High Security Small Format IC Core available, TownSteel "L" keyway, 7 pin
- Warranty: 2-year limited for electronic; 10-year limited for mechanical

Electronic Specifications

- Solenoid units 12 or 24 VDC installations, Motorized units 10 – 30 VDC
- All motorized units are field adjustable for Fail Safe or Fail Secure

Code Compliance

- ANSI/BHMA: A156.2 Grade 1 Certified
- UL/ULC: UL 10C Listed 3 Hour Fire Rating
- BAA: Meets requirements of the Buy American Act
- ADA: Meets requirements of the Americans with Disabilities Act



Important Note

It is TownSteel's position that if any of our keyed locks are to be used less cylinder, whether I.C. or standard, and another manufacturer's cylinder is to be used in place of the TownSteel original manufacturer's cylinder, that a sample of that product be provided to TownSteel in advance for testing.

How To Order

Trim	XTRX-L Electrified Ligature Resistant Lever Grade 1 Cylindrical Lock
Function	Fail Safe (12 or 24VDC), Fail Secure (12 or 24VDC), or 303
Cylinder	SC / SFIC6 / SFIC7 / CLFIC6 / SLFIC / L6 / L7



XMRX-A / XMRX-A-303

Electrified/Motorized Mortise Lock with Ligature Resistant Trim-Arch



Mechanical Specifications

- For facilities housing patients at risk
- ANSI Grade 1 heavy duty mortise lock with 5-point ligature resistant arch trim
- Backset 2-3/4"
- Door thickness: 1-3/4" standard, other upon request
- Stainless steel arch trim
- Stainless steel latch bolt, split, anti-friction, 3/4" throw
- Stainless steel dead bolt, with anti-saw pins, 1" projection
- Stainless steel ADA thumb turn standard
- Stainless steel ANSI strike
- Tamper resistant stainless steel mounting screws
- Handed
- Schlage "C" keyway, brass 6 pin cylinder standard
- SFIC with or less core available, 6 or 7 pin core
- LFIC less core available
- Corbin® LFIC less core available
- High security cylinder available, TownSteel "L" keyway, 6 pin
- High security SFIC core available, TownSteel "L" keyway, 7 pin
- KD, KA, MK, GMK, GGMK and construction keying available
- 630 (US32D) finish
- Warranty: 2-year limited for electronic; 10-year limited for mechanical

Electronic Specifications

- Solenoid units 12 or 24 VDC installations,
- Motorized units 10 – 30 VDC
- All motorized units are field adjustable for Fail Safe or Fail Secure
- Optional status sensors for Solenoid units: RQE, DP, LP
- Optional status sensors for motorized units: RQE, PRIV, DAJ, MKO

Code Compliance

- ANSI/BHMA: A156.13 Grade 1 Certified
- UL/ULC: UL 10C Listed 3 Hour Fire Rating
- BAA: Meets requirements of the Buy American Act
- ADA: Meets requirements of The Americans with Disabilities Act

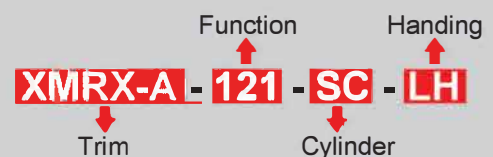


Important Note

It is TownSteel's position that if any of our keyed locks are to be used less cylinder, whether I.C. or standard, and another manufacturer's cylinder is to be used in place of the TownSteel original manufacturer's cylinder, that a sample of that product be provided to TownSteel in advance for testing.

How To Order

Trim	XMRX-A Electrified Ligature Resistant Mortise with Arch Trim
Function	Please Refer to Electrified Function Sheet, or 303
Cylinder	SC / SFIC6 / SFIC7 / CLFIC6 / SLFIC / L6 / L7
Handing	LH / RH / LHR / RHR



XMRX-L / XMRX-L-303

Electrified/Motorized Mortise Lock with
Ligature Resistant Trim-Lever



Escutcheon



Sectional



Mechanical Specifications

- For facilities housing patients at risk
- For 1-3/4" door thickness, other upon request
- 2-3/4" backset
- Handed, field reversible
- 630 (US32D) finish
- Stainless steel rose (MRX-S-L), 2-3/4" in diameter
- Stainless steel escutcheon (MRX-E-L), 8"x3-1/4"x1/8"
- Stainless steel lever, ligature resistant
- Stainless steel turn piece, ligature resistant, ADA
- Stainless steel faceplate, 1-1/4" x 8"
- Stainless steel strike, ASA, 1-1/4" x 4-7/8"
- Through-bolt mounting, tamper resistant mounting screws, for wood and metal door
- Brass cylinder with stainless steel cover, 6 pin, Schlage "C" keyway standard, 2 keys per cylinder
- Small Format IC available with or without core, 6 or 7 pin core
- Schlage Large Format IC available in less core
- Corbin Large Format IC available in less core, for 6 pin core, Sargent Large format IC
- High Security Cylinder available, TownSteel "L" keyway, 6 pin
- High Security Small Format IC Core available, TownSteel "L" keyway, 7 pin
- Warranty: 2-year limited for electronic; 10-year limited for mechanical

Electronic Specifications

- Solenoid units 12 or 24 VDC installations,
- Motorized units 10 – 30 VDC
- All motorized units are field adjustable for Fail Safe or Fail Secure
- Optional status sensors for Solenoid units: RQE, DP, LP
- Optional status sensors for motorized units: RQE, PRIV, DAJ, MKO

Code Compliance

- ANSI/BHMA: A156.13 Grade 1 Certified
- UL/ULC: UL 10C Listed 3 Hour Fire Rating
- BAA: Meets requirements of the Buy American Act
- ADA: Meets requirements of the Americans with Disabilities Act



Important Note

It is TownSteel's position that if any of our keyed locks are to be used less cylinder, whether I.C. or standard, and another manufacturer's cylinder is to be used in place of the TownSteel original manufacturer's cylinder, that a sample of that product be provided to TownSteel in advance for testing.

How To Order

Trim	XMRX-E-L Electrified Ligature Resistant Lever Mortise-Escutcheon Trim XMRX-S-L Electrified Ligature Resistant Lever Mortise-Sectional Trim		
Function	Please Refer to Function Sheet, or 303	Function	Handing
Cylinder	SC / SFIC6 / SFIC7 / CLFIC6 / SLFIC / L6 / L7	XMRX-E-L	- LH
Handing	LH / RH / LHR / RHR	Trim	Cylinder
		- 122 -	- SFIC7 -

XMRX-K / XMRX-K-303

Electrified/Motorized Mortise Lock with Ligature Resistant Trim-Knob



Escutcheon



Sectional



Mechanical Specifications

- For facilities housing patients at risk
- ANSI Grade 1 heavy duty mortise lock with ligature resistant safety knob trim
- Escutcheon (XMRX-E-K) or sectional (XMRX-S-K) trim set
- Backset 2-3/4"
- Door thickness: 1-3/4" standard, other upon request
- Stainless steel knob trim
- Stainless steel latch bolt, split, anti-friction, 3/4" throw
- Stainless steel dead bolt, with anti-saw pins, 1" projection
- Stainless steel thumb turn
- Stainless steel ANSI strike
- Tamper resistant stainless steel mounting screws
- Handing field reversible
- Schlage "C" keyway, brass 6 pin cylinder standard
- SFIC with or less core available, 6 or 7 pin core
- Schlage® LFIC less core available
- Corbin® LFIC less core available
- High security cylinder available, TownSteel "L" keyway, 6 pin
- High security SFIC core available, TownSteel "L" keyway, 7 pin
- Keyed Different standard, KA, MK, GMK, GGMK and construction keying available

- 630 (US32D) finish
- Warranty: 2-year limited for electronic; 10-year limited for mechanical

Electronic Specifications

- Solenoid units 12 or 24 VDC installations,
- Motorized units 10 – 30 VDC
- All motorized units are field adjustable for Fail Safe or Fail Secure
- Optional status sensors for Solenoid units: RQE, DP, LP
- Optional status sensors for motorized units: RQE, PRIV, DAJ, MKO

Code Compliance

- ANSI/BHMA: A156.13 Grade 1 Certified
- UL/ULC: UL 10C Listed 3 Hour Fire Rating
- BAA: Meets requirements of the Buy American Act



Important Note

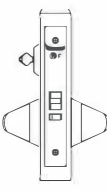
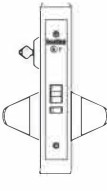
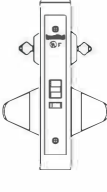
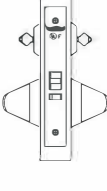

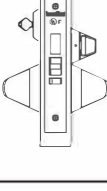

It is TownSteel's position that if any of our keyed locks are to be used less cylinder, whether I.C. or standard, and another manufacturer's cylinder is to be used in place of the TownSteel original manufacturer's cylinder, that a sample of that product be provided to TownSteel in advance for testing.

How To Order

Trim	XMRX-E-K Electrified Ligature Resistant Mortise-Escutcheon Trim with Knob XMRX-S-K Electrified Ligature Resistant Mortise-Sectional Trim with Knob	<div style="display: flex; justify-content: space-around;"> <div style="text-align: center;">Function</div> <div style="text-align: center;">Handing</div> </div> <div style="font-size: 2em; font-weight: bold; margin: 5px 0;">XMRX-E-K - 121 - SC - LH</div> <div style="display: flex; justify-content: space-around;"> <div style="text-align: center;">Trim</div> <div style="text-align: center;">Cylinder</div> </div>
Function	Please Refer to Electrified Function Sheet, or 303	
Cylinder	SC / SFIC6 / SFIC7 / CLFIC6 / SLFIC / L6 / L7	
Handing	LH / RH / LHR / RHR	

Functions

Ligature Resistant Electrified Mortise Series

Outside	Inside	Series/ Function	Type	ANSI No.	Function Description
		XMRXA-121 XMRXK-121 XMRXL-121	12VDC Fail Safe, 3-position monitoring	N/A	12VDC voltage, fail safe, Monitors Request-to-Exit, Door Position Status and Latch Position Status. Latch bolt is operated by lever from either side when no power is supplied. Powering unit locks outside lever. When locked, latch bolt can be retracted by key or lever on inside. Auxiliary latch bolt.
		XMRXA-122 XMRXK-122 XMRXL-122	12VDC Fail Secure 3-position monitoring	N/A	12VDC voltage, fail secure, Monitors Request-to-Exit, Door Position Status and Latch Position Status. Powered unit latch bolt is operated by lever from either side. When no power is applied outside lever is locked. When locked, latch bolt can be retracted by key or lever on inside. Auxiliary latch bolt.
		XMRXA-121C XMRXK-121C XMRXL-121C	12VDC Fail Safe RQE	N/A	12VDC, fail safe. Monitors Request-to-Exit (RQE). Latch bolt is operated by lever from either side when no power is applied. When power is applied levers are inoperative (locked) on both sides. When locked the latch bolt can be retracted by key on either side. Auxiliary latch bolt.
		XMRXA-122C XMRXK-122C XMRXL-122C	12VDC Fail Secure RQE	N/A	12VDC, fail secure. Monitors Request-to-Exit (RQE). Powered unit is unlocked and latch bolt is operated by lever on either side. When no power is applied levers are inoperative (locked) on both sides. When locked, the latch bolt can be retracted by key on either side. Auxiliary latch bolt.
		XMRXA-121DB XMRXK-121DB XMRXL-121DB	12VDC Fail Safe, Dead Bolt RQE	N/A	12VDC voltage, fail safe, with dead bolt, Monitors Request-to-Exit. Latch bolt is operated by lever from either side when no power is supplied. Powering unit locks both lever. Dead bolt can be operated from outside with key and inside by thumb turn. When locked, latch bolt can be retracted by key or lever on inside. Rotating inside lever retracts both bolts. Auxiliary latch bolt.
		XMRXA-122DB XMRXK-122DB XMRXL-122DB	12VDC Fail Secure Dead Bolt RQE	N/A	12VDC voltage, fail secure, with dead bolt, Monitors Request-to-Exit. Powered unit latch bolt is operated by lever from either side. When no power is applied outside lever is locked. Dead bolt can be operated from outside with key and inside by thumb turn. When locked, latch bolt can be retracted by key or lever on inside. Rotating inside lever retracts both bolts. Auxiliary latch bolt.
		XMRXA-121DC XMRXK-121DC XMRXL-121DC	12VDC Fail Safe, Dead Bolt RQE	N/A	12VDC, fail safe with dead bolt. Monitors Request-to-Exit (RQE). Latch bolt is operated by lever from either side when no power is applied. When power is applied levers are inoperative (locked) on both sides. When locked, the latch bolt can be retracted by key on either side. Dead bolt can be operated on both sides by key. When unlocked, operating inside or outside lever retracts both bolts. Auxiliary latch bolt.

Functions

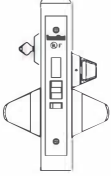
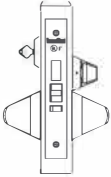
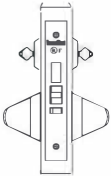
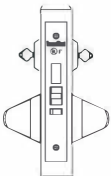
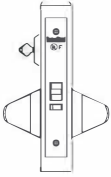
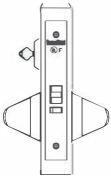
Ligature Resistant Electrified Mortise Series



Outside	Inside	Series/ Function	Type	ANSI No.	Function Description
		XMRXA-122DC XMRXK-122DC XMRXL-122DC	12VDC Fail Secure Dead Bolt RQE	N/A	12VDC, fail secure with dead bolt. Monitors Request-to-Exit (RQE). Powered unit is unlocked and latch bolt is operated by lever on either side. When no power is applied levers are inoperative (locked) on both sides. When locked, the latch bolt can be retracted by key on either side. Dead bolt can be operated on both sides by key. When unlocked, operating inside or outside lever retracts both bolts. Auxiliary latch bolt.
		XMRXA-121RQE XMRXK-121RQE XMRXL-121RQE	12VDC Fail Safe RQE	N/A	12VDC voltage, fail safe. Monitors Request-to-Exit. Latch bolt is operated by lever from either side when no power is supplied. Powering unit locks outside lever. When locked, latch bolt can be retracted by key from outside or lever on inside. Auxiliary latch bolt.
		XMRXA-122RQE XMRXK-122RQE XMRXL-122RQE	12VDC Fail Secure RQE	N/A	12VDC voltage, fail Secure, Monitors Request-to-Exit. Powered unit latch bolt is operated by lever from either side. When no power is supplied, outside lever is locked. When locked, latch bolt can be retracted by key from outside or lever on inside. Auxiliary latch bolt.
		XMRXA-241 XMRXK-241 XMRXL-241	24VDC Fail Safe 3-position monitoring	N/A	24VDC, fail safe, Monitors Request-to-Exit, Door Position Status and Latch Position Status. Latch bolt is operated by lever from either side when no power is supplied. Powering unit locks outside levers. When locked, the latch bolt can be retracted by key or lever on inside. Auxiliary latch bolt.
		XMRXA-242 XMRXK-242 XMRXL-242	24VDC Fail Secure 3-position monitoring	N/A	24VDC, fail secure, Monitors Request-to-Exit, Door Position Status and Latch Position Status. Powered unit latch bolt is operated by lever from either side. When no power is applied outside lever is locked. When locked, latch bolt can be retracted by key or lever on inside. Auxiliary latch bolt.
		XMRXA-241C XMRXK-241C XMRXL-241C	24VDC Fail Safe RQE	N/A	24VDC, fail safe. Monitors Request-to-Exit (RQE). Latch bolt is operated by lever from either side when no power is applied. When power is applied levers are inoperative (locked) on both sides. When locked the latch bolt can be retracted by key on either side. Auxiliary latch bolt.
		XMRXA-242C XMRXK-242C XMRXL-242C	24VDC Fail Secure RQE	N/A	24VDC, fail secure. Monitors Request-to-Exit (RQE). Powered unit is unlocked and latch bolt is operated by lever on either side. When no power is applied levers are inoperative (locked) on both sides. When locked, the latch bolt can be retracted by key on either side. Auxiliary latch bolt.

Functions

Ligature Resistant Electrified Mortise Series

Outside	Inside	Series/ Function	Type	ANSI No.	Function Description
		XMRXA-241DB XMRXK-241DB XMRXL-241DB	24VDC Fail Safe Dead Bolt RQE	N/A	24VDC voltage, fail safe, with dead bolt. Monitors Request-to-Exit. Latch bolt is operated by lever from either side when no power is supplied. Powering unit locks outside lever. Dead bolt can be operated from outside with key and inside by thumb turn. When locked, latch bolt can be retracted by key or lever on inside. Rotating inside lever retracts both bolts. Auxiliary latch bolt.
		XMRXA-242DB XMRXK-242DB XMRXL-242DB	24VDC Fail Secure Dead Bolt RQE	N/A	24VDC voltage, fail secure, with dead bolt, Monitors Request-to-Exit. Powered unit latch bolt is operated by lever from either side. When no power is applied outside lever is locked. Dead bolt can be operated from outside with key and inside by thumb turn. When locked, latch bolt can be retracted by key or lever on inside. Rotating inside lever retracts both bolts. Auxiliary latch bolt.
		XMRXA-241DC XMRXK-241DC XMRXL-241DC	24VDC Fail Safe Dead Bolt RQE	N/A	24VDC, fail safe with dead bolt. Monitors Request-to-Exit (RQE). Latch bolt is operated by lever from either side when no power is applied. When power is applied levers are inoperative (locked) on both sides. When locked, the latch bolt can be retracted by key on either side. Dead bolt can be operated on both sides by key. When unlocked, operating inside or outside lever retracts both bolts. Auxiliary latch bolt.
		XMRXA-242DC XMRXK-242DC XMRXL-242DC	24VDC Fail Secure Dead Bolt RQE	N/A	24VDC, fail secure with dead bolt. Monitors Request-to-Exit (RQE). Powered unit is unlocked and latch bolt is operated by lever on either side. When no power is applied levers are inoperative (locked) on both sides. When locked, the latch bolt can be retracted by key on either side. Dead bolt can be operated on both sides by key. When unlocked, operating inside or outside lever retracts both bolts. Auxiliary latch bolt.
		XMRXA-241RQE XMRXK-241RQE XMRXL-241RQE	24VDC Fail Safe RQE	N/A	24VDC voltage, fail safe, Monitors Request-to-Exit. Latch bolt is operated by lever from either side when no power is supplied. Powering unit locks outside lever. When locked, latch bolt can be retracted by key from outside or lever on inside. Auxiliary latch bolt.
		XMRXA-242RQE XMRXK-242RQE XMRXL-242RQE	24VDC Fail Secure RQE	N/A	24VDC voltage, fail secure, Monitors Request-to-Exit. Powered unit latch bolt is operated by lever from either side. When no power is applied, outside lever is locked. When locked, latch bolt can be retracted by key from outside or lever on inside. Auxiliary latch bolt.

Ligature Resistant Project References



MRX-A

- Eastside South Campus, Snellville, GA
- Navos Cottage Renovation, Auburn, WA
- Circles of Care Melbourne, Melbourne, FL
- Lincoln Praire, Springfield, IL
- Wellspan Health/York Hosp, YORK, PA
- Behavioral Health Hospital , Tempe, AZ
- 300721-Building 6 Department, Norwood, OH
- Wellspan Health/York Hosp, YORK, PA
- Centerpointe Hospital, Norridge, IL
- John Umstead, Butner, NC
- Essex County Hospital, Cedar Grove, NJ
- Pilgrim Psychiatric Center, Brentwood, NY
- St. Clares Booton, 1002
- UNC Health Care Systems, Chapel Hill, NC
- Cleveland Clinic, Broadview Heights, OH
- Wyoming State Hospital, Evanston, WY
- Illinois State Mental Hospital, Des Plaines, IL
- Twin Valley Behavioral Health Care, Columbus, OH



MRX-L

- Navos Cottage Renovation, Auburn, WA
- 300721-Building 6 Department, Norwood, OH
- Canyon Ridge Project, Thousand Palms, CA
- UNC Health Care Systems, Chapel Hill, NC
- Stonecrest Health Center, Detroit, MI
- Glenwood Regional Medical Center, West Monroe, LA
- Fort Belvoir Community Hospital
- South Sound Behavioral Hospital, Lacey, WA
- Chicago Behavioral Hospital, Des Plaines, IL
- Worcester Behavioral Innovations, Worcester, MA
- SFH-LIBR 3RD & 4 TH FLOOR
- Silver Oaks Behavioral Health, New Lenox, IL
- Prairie St. John's, Fargo, ND
- Alliance Health Center, Meridian, MS
- Carrier Clinic Phase 2, Belle Mead, NJ
- Cedar Crest Hospital & RTC, Belton, TX
- Indian River Behavioral Health
- Butler Hospital Psychiatric, Providence, RI
- VA Medical Center, Murfreesboro, TN
- VA Medical Center, Nashville, TN
- VA Medical Center, Marion, TL
- VA Medical Center, Salt Lake City, UT
- VA Medical Center, Dayton, OH
- VA Hospital, Tampa, FL
- Forest View Hospital, Wyoming, MI
- Kingbrook Jewish Medical Center, Brooklyn, NY
- Capistrano Care Favity, San Juan Capistrano, CA
- Eastern L.I. Hospital, Greenport, NY
- New York Presbyterian Hospital, New York, NY
- Summit Ridge Hospital, Lawrenceville, GA
- VA Hospital, Tucson, AZ
- First Judicial Distrivt, Waterloo, IA
- Navy Medical Center Mental Health Bldg., San Diego, CA
- MSJ ER Psych Eval., Ashville, NC
- North Star Hospital, Anchorage, AK
- Pima Hospital, Tucson, AZ
- Johns Hopkins Hospital, Baltimore, MD
- Holly Hill Hospital, Raleigh, NC
- Jacobi Medical Center, Bronx, NY
- Meadows Hospital, Centre Hall, PA



MRX-K

- VA Hospital, North Chicago, IL
- University of Maryland Medical Center, Baltimore, MD
- NYP Adolescent Separation, New York, NY
- Gustavus Adolphus Home Jamestown, NY



CRX-A

- Eastside South Campus, Snellville, GA
- Baptist Hospital/The Door Guy, Jacksonville, FL
- Northwest Ohio Psychiatric, Toledo, OH
- Valey Behavioral Health (Acadia), Barling, AR
- Acadia Healthcare Behavioral Hospital, McAdoo, PA
- Lincoln Praire, Springfield, IL
- Wellspan Health/York Hosp, YORK, PA
- Clark Memorial Hospital , Jeffersonville, IN
- 170038-Timberline Knolls, Lemont, IL
- Canyon Ridge Project, Chino, CA
- Centerpointe Hospital, Norridge, IL
- John Umstead, Butner, NC
- Acadia Healthcare, Murfreesboro, TN
- St. Clares Booton, 1002, Boonton, NJ
- Sprinstone, Louisville, KY
- Bryan Hospital, Lincoln, NE
- St Clare, St, Clare, MI
- UPMC PINNACLE, Harrisburg, PA

Ligature Resistant Project References

CRX-K



- Aurora Health Care, Wauwatosa, WI
- South Oaks Hospital, Long Island, NY
- Terre Haute Regional Hospital, Terre Haute, IN
- Oswego Hospital, Oswego, NY
- Research Psychiatric Center, Kansas City, MO
- West Central Georgia Regional Hospital, Columbus, GA
- Sentara Norfolk Hospital, Virginia Beach, VA
- KMC-Sycamore Hospital, Miamisburg, OH
- Long Island South Oaks Manor, Amity ville, NY

TRX-L



- Navos Cottage Renovation, Auburn, WA
- Acadia Healthcare Behavioral Hospital, McAdoo, PA
- Eating Recovery Center, DENVER, CO
- 300721-Building 6 Department, Norwood, OH
- Clark Memorial Hospital, Jeffersonville, IN
- Canyon Ridge Project, Chino, CA
- Acadia Healthcare, Murfreesboro, TN
- Sprinstone, Lexington, KY
- Cambia Hills Treatment, Mendota Heights, MN
- SBH Miramont Behavioral Health, Raleigh, NC
- Peach Arch Facility-SU170, Surrey, BC, Canada
- Coastal Harbor, Savannah, GA
- Stonecrest Health Center, Detroit, MI
- North Dakota State Hospital, Jamestown, ND
- Glenwood Regional Medical Center, West Monroe, LA
- Dominion Hospital, Falls Church, VA
- Central Florida Behavioral Health, Orlando, FL
- Choate Development Center, Anna, IL
- Central Regional Hospital, Butner, NC

DRX



- VA Central Alabama Medical Center, Montgomery, AL
- Charlotte Behavioral Health Care, Punta Gorda, FL

Other Ligature Resistant Products

- VA Medical Center, Marion, IL
- VA Medical Center, Murfreesboro, TN
- VA Medical Center, Jackson, MS
- Moberly Regional Hospital, Moberly, MO
- Dixie Regional Hospital, St. George, UT
- Fairfax Hospital, Falls Church, Virginia
- St. Elizabeth Medical Center, Youngstown, OH
- St. Joseph Medical Center, Towson, MD
- Carolina East Health Care, New Bern, NC
- Northern Westchester Hospital, Mt. Kisco, NY
- Abington Hospital, Abington, PA
- Central State Hospital, Milledgeville, GA
- East Central Georgia Regional Hospital, Augusta, GA
- St. Mary's Hospital, Richmond, VA
- Larue D. Carter Memorial, Indianapolis, IN
- Hoboken Hospital, Hoboken, NJ
- Clarks Summit State Hospital, Clarks Summit, PA
- Memorial Hospital, Stillwell, OK
- Thomas B Finan Center, Cumberland, MD
- Balboa Hospital, San Diego, CA
- Capistrano Care Facility, San Juan Capistrano, CA
- Four Winds Hospital, Saratoga Springs NY
- Lutheran Social Services, Sioux Falls, SD
- Olean General Hospital, Olean, NY
- Kaiser Hospital, Los Angeles, CA
- Northwest GA Regional Hospital, Rome, GA
- Howard Community Hospital, Kokomo, IN
- Vanderbilt Hospital, Nashville, TN
- Friends Behavioural Health System, Philadelphia, PA
- Medical Center of McKinney & Wysong Campus, Mckinney, TX
- Canyon Hills Center-Luth Social, Spearfish, SD
- Children's Hospital, Dallas, TX
- Sarasota Memorial Public Hospital, Sarasota, FL
- Lewis Gail Hospital, Salem, VA
- Nova House, Dayton, OH
- VA Hospital, Loma Linda, CA
- Harrisonburg-Rockingham Community Services Board, Harrisonburg, VA
- CPSA, Tucson, AZ
- Adventist Health, Rockville, MD
- North Memorial Med Center, Robbinsdale, MN
- Flushing Hospital Medical Center, Flushing, NY



TownSteel[®]
Architectural Hardware MFG

PRODUCT CATALOG

DOOR CLOSERS

G

DOOR CLOSERS

Subindex

- 1 **TDC40** Heavy Duty Grade 1 Door Closer
- 4 **TDC70** Grade 1 Door Closer
- 7 **TDC85** Grade 1 Door Closer
- 9 **TDC90** Heavy Duty Grade 1 Door Closer
- 11 **TDC53/54** Grade 3 Door Closer
- 13 **About Door Closer**

HEAVY DUTY GRADE 1 DOOR CLOSER

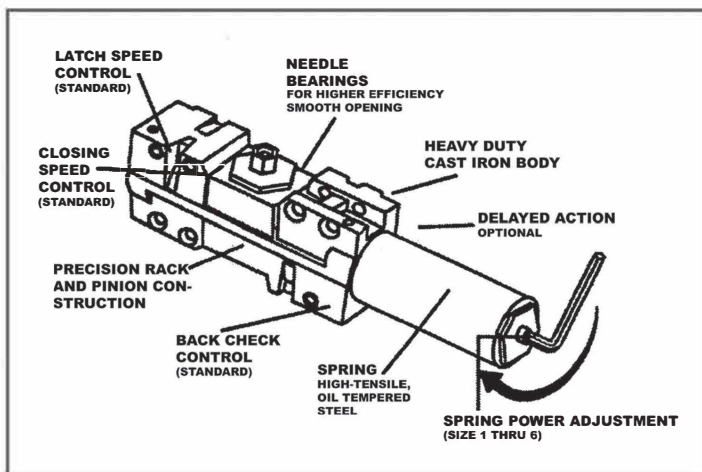
TDC40



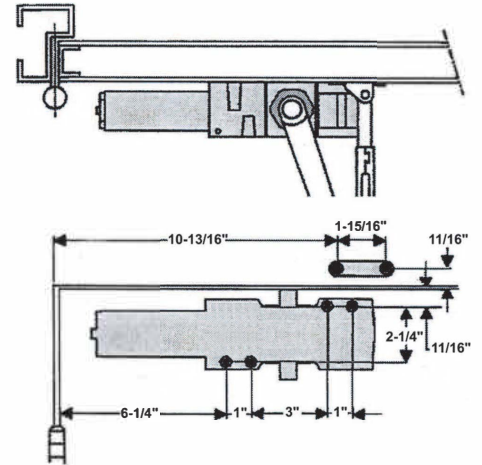
Feature Highlight:

- For heavy traffic areas, exterior or interior
- Heavy duty cast iron body, non handed
- Precision rack and pinion construction
- Regular arm standard, Friction Hold-Open, Cush, and Hold-Open and Cush arm optional
- Tri-Style installation: includes hardware and brackets to allow for regular, top jamb, and parallel arm installation
- Adjustable spring power from size 1 to size 6, factory preset size 3.
- Separate and adjustable Latch, Sweep and Backcheck valves standard
- Adjustable Delayed Action Closing valve optional
- UL listed molded plastic full cover standard, metal cover optional
- All-weather fluid, allowing door closer to perform in temperatures ranging from -31°F to 140°F
- Needle Bearing for higher efficiency
- 1-1/2" (38 mm) diameter piston
- 5/8" (16 mm) diameter pinion
- 2-5/16" (58 mm) projection (standard cover)
- Door Opening: regular arm 120°, parallel arm 180°, and top jamb 120°
- Finish: Aluminum and Duro stock finishes, other finishes upon request

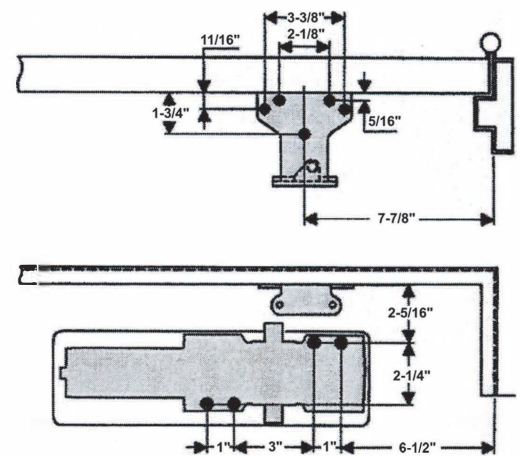
Profile:



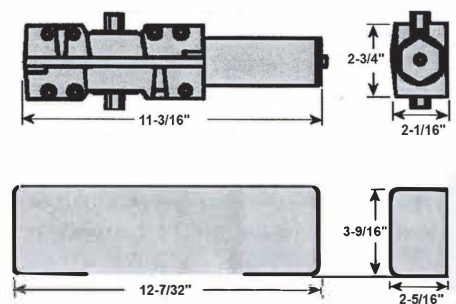
Pull Side Installation



Push Side Installation



Closer Body





Options

- Available arms: Friction Hold-Open, Cush, and Cush and Hold-Open
- Drop Plate: please refer to drop plate section

Arms



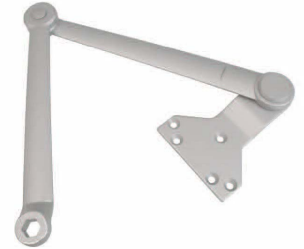
- Friction Hold Open Arm
Heavy duty parallel hold-open adjustable arm.
TDC ARM-01-40



- Cush Arm
Heavy duty parallel cush arm.
TDC ARM-02-40



- Hold-Open and Cush Arm
Heavy duty parallel hold-open and cush arm.
TDC ARM-03-40

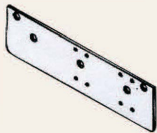


- Extra Heavy Duty Arm
Extra heavy duty parallel arm.
TDC ARM-04-40

Drop Plates

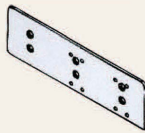
• TPDC-718

Required for hinge side mount where top rail is less than 3 3/4" (95 mm) measured from the top. Plate requires top rail minimum 2" (51 mm) in height.



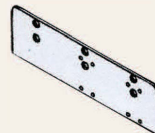
• TPDC-718TJ

Applicable in places where head frame face is less than 3 1/2" (89mm) in height. Plate requires 1 3/4" (44 mm) minimum head frame.



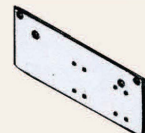
• TPDC-718G

Applicable in places where top of head frame in flush with ceiling condition. Plate requires 1 3/4" (44 mm) minimum head frame.



• TPDC-718PA

Required for parallel arm mounting where top rail is less than 5 1/2" (140 mm), measured from the top. Plate requires 2" (51 mm) minimum top rail.



Code Compliance

- UL & ULC listed
- Meets Grade 1 requirements of ANSI/BHMA A156.4
- BAA door closer meets guidelines of the Buy American Act
- Adjustable to meets requirements of the Americans with Disabilities Act



Important Notes - Door Closers for Low Opening Force Applications

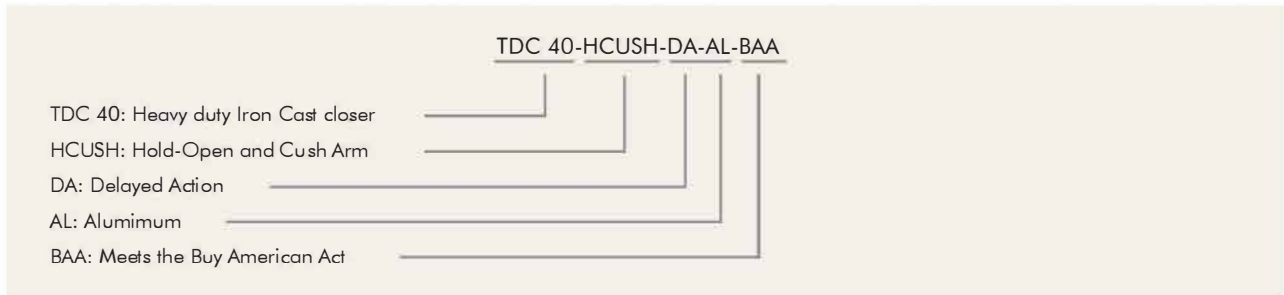
Door closers installed in openings required to meet the requirements of The Americans with Disabilities Act of ANSI Standard A117.1, when adjusted to meet those requirements, may not provide adequate closing power to dependably close and latch the door.

How to Order

TDC-40 Door Closer

Series	Arm Type	Delayed Action	Finishes	BAA
TDC 40: Heavy duty Closer	Blank: Regular Arm, Standard HOA: Hold Open Arm CUSH: CUSH Arm HCUSH: Hold-Open and Cush Arm EDA: Extra Heavy Duty Arm	Blank: No Delayed Action DA: Delayed Action	AL: Aluminum DU: Duro	Blank: Non BAA BAA: Meets the Buy American Act

Order Sample



TDC-40 Drop Plate

Series	Finishes	Example:
TPDC 718: for hinge side mount TPDC 718G: for head frame flush with ceiling TPDC 718TJ: Head frame less than 3 1/2" TPDC 718PA: for parallel arm mounting	AL: Aluminum DU: Duro	<u>TPDC 718-AL</u>
		TPDC 718: for hinge side mount
		AL: Aluminum

TDC-40 Arm

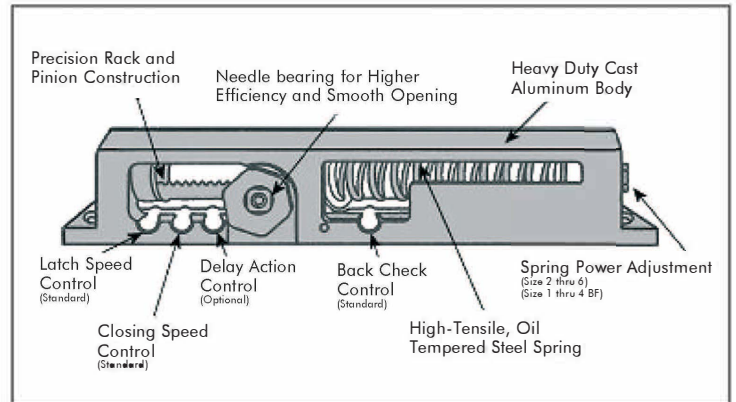
Series	Finishes	Example:
TDC ARM-01-40: Friction Hold-Open Arm TDC ARM-02-40: Cush Arm TDC ARM-03-40: Cush and Hold-Open Arm TDC ARM-04-40: Extra Heavy Duty Arm	AL: Aluminum DU: Duro	<u>TDC ARM-01-40-AL</u>
		TDC ARM-01-40: Friction Hold-Open Arm
		AL: Aluminum



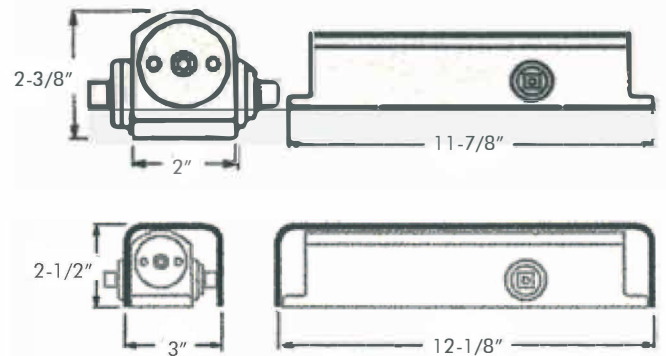
Feature Highlight

- Designed for high traffic application, exterior or interior
- Heavy duty aluminum body, non-handed
- Precision rack and pinion construction
- Regular arm standard, Friction Hold-Open, Cush, Hold-Open and Cush, and Slide Track arms optional
- Tri-Style installation: includes hardware and brackets to allow for regular, top jam, and parallel arm installation
- Adjustable spring power from size 2 to size 6 (TDC-70), and BF to size 4 (TDC 70-BF)
- Separate and adjustable Latch, Sweep and Backcheck valves standard
- Delayed Action standard on TDC-70BF
- UL listed molded plastic full cover standard, metal cover optional
- All-weather fluid, allowing door closer to perform in temperatures ranging from -31°F to 140°F
- Needle Bearing application for higher efficiency
- Highly precise closer for high performance
- 1-1/2" (38mm) diameter piston
- 7/16" (11mm) diameter pinion
- 2-1/2" (64mm) projection (standard cover)
- Finish: Aluminum and Duro stock finishes, other finishes upon request

Profile



Door Closer and Cover



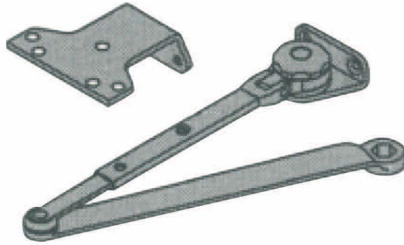
Options

- Available arms: Friction Hold-Open, Cush, Cush and Hold-Open, and Slide Track
- Drop Plate: please refer to drop plate section

Arms

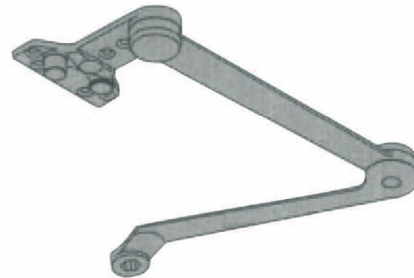
• Friction Hold Open Arm

Heavy duty parallel hold-open adjustable arm.
TDC ARM-01



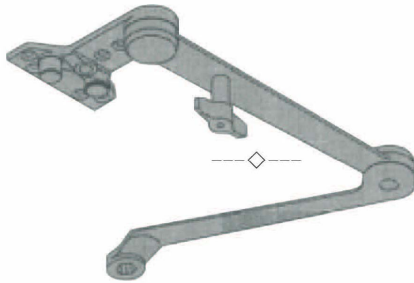
• Cush Arm

Heavy duty parallel cush arm.
TDC ARM-02



• Hold-Open and Cush Arm

Heavy duty parallel hold-open and cush arm.
TDC ARM-03



• Slide Track Arm

Heavy duty parallel slide track arm.
TDC ARM-04



Drop Plates

• TDC-70-DPPA

For Push side parallel arm installation when mounting surface height is less than 4-3/4" (121mm)



• TDC-70-DP

For Pull side mounting when mounting surface height is less than 3-1/2" (89mm)



Code Compliance

- ANSI: Comply with ANSI A156.4 Grade 1
- UL: UL and ULC listed
- ADA: TDC-70BF adjustable to conform to requirements of The Americans with Disabilities Act
- BAA: BAA door closers meet guideline of The Buy American Act





Important Notes - Door Closers for Low Opening Force Applications

Door closers installed in openings required to meet the requirements of The Americans with Disabilities Act of ANSI Standard A117.1, when adjusted to meet those requirements, may not provide adequate closing power to dependably close and latch the door.

How to Order

TDC-70 Door Closer

Series	Arm Type	Delayed Action	Finishes	BAA
TDC 70: Heavy duty Closer	Blank: Regular Arm, Standard HOA: Hold Open Arm CUSH: CUSH Arm HCUSH: Hold-Open and Cush Arm	Blank: No Delayed Action BF: Barrier Free	AL: Aluminum DU: Duro	Blank: Non BAA BAA: Meets the Buy American Act

Order Sample

TDC 70-HCUSH-BF-AL-BAA

- TDC 70: Heavy duty Iron Cast closer
- HCUSH: Hold-Open and Cush Arm
- BF: Barrier Free
- AL: Aluminum
- BAA: Meets the Buy American Act

TDC-70 Drop Plate

Series	Finishes	Example:
TDC-70-DPPA: for push side parallel TDC-70-DP: for pull side mounting	AL: Aluminum DU: Duro	TDC-70-DPPA-AL

TDC-70 Arm

Series	Finishes	Example:
TDC ARM-01: Friction Hold-Open Arm TDC ARM-02: Cush Arm TDC ARM-03: Cush and Hold-Open Arm TDC ARM-04: Slide Track Arm	AL: Aluminum DU: Duro	TDC ARM-01-AL

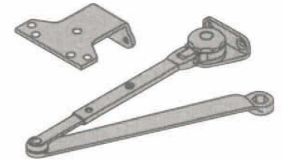


Options

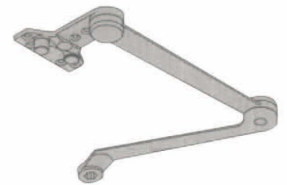
- Available arms: Friction Hold-Open, Cush, Cush and Hold-Open, and Slide Track
- Drop Plate: please refer to drop plate section

Arms

- **Friction Hold Open Arm**
Heavy duty parallel hold-open adjustable arm.
TDC ARM-01-85



- **Cush Arm**
Heavy duty parallel cush arm.
TDC ARM-02-85



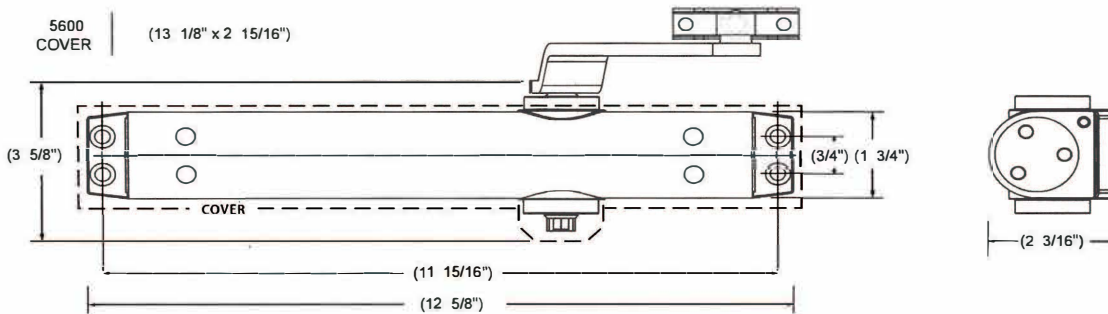
- **Hold-Open and Cush Arm**
Heavy duty parallel hold-open and cush arm.
TDC ARM-03-85



Feature Highlight

- Designed for high traffic application, exterior or interior
- Heavy duty aluminum cast body, non-handed
- Precision rack and pinion construction
- Regular arm standard, Friction Hold-Open, Cush and Hold-Open and Cush arms optional
- Tri-Style installation: includes hardware and brackets to allow for regular, top jam, and parallel arm installation
- Adjustable spring power from size 1 to size 6, factory preset size 3
- Separate and adjustable Latch, Sweep and Backcheck valves standard
- Delayed Action Optional
- UL listed molded plastic full cover standard, metal cover optional
- All-weather fluid, allowing door closer to perform in temperatures ranging from -31°F to 140°F
- Needle Bearing application for higher efficiency
- Highly precise closer for high performance
- 1-17/64" (32mm) diameter piston
- 29/64" (11.5mm) diameter pinion
- 2-1/2" (64mm) projection (standard cover)
- Finish: Aluminum and Duro stock finishes, other finishes upon request

Profile





Drop Plates

- TDC-85-DPPA

For Push side parallel arm installation where a narrow top rail prevents direct mounting



- TDC-85-DP

Provides a solid mounting surface when clearance or mounting surface dimensions are limited



Code Compliance

- ANSI: Comply with ANSI A156.4 Grade 1
- UL: UL and ULC listed
- ADA: Adjustable to conform to requirements of the Americans with Disabilities Act
- BAA: BAA door closers meet guideline of the Buy American Act



Important Notes - Door Closers for Low Opening Force Applications

Door closers installed in openings required to meet the requirements of The Americans with Disabilities Act of ANSI Standard A117.1, when adjusted to meet those requirements, may not provide adequate closing power to dependably close and latch the door.

How to Order

Door Closer

Series	Arm Type	Delayed Action	Finishes	BAA
TDC 85: Heavy duty Closer	Blank: Regular Arm, Standard HOA: Hold Open Arm CUSH: CUSH Arm HCUSH: Hold-Open and Cush Arm	Blank: No Delayed Action DA: Delayed Action	AL: Aluminum DU: Duro	Blank: Non BAA BAA: Meets the Buy American Act

Order Sample

TDC 85-HCUSH-AL-BAA

TDC 85: Heavy duty Iron Cast closer
 HCUSH: Hold-Open and Cush Arm
 AL: Aluminum
 BAA: Meets the Buy American Act

TDC-85 Drop Plate

Series	Finishes
TDC-85-DPPA	AL: Aluminum
TDC-85-DP	DU: Duro
Example:	TDC-85-DPPA-AL
TDC-85-DPPA	AL: Aluminum

TDC-85 Arm

Series	Finishes
TDC ARM-01: Friction Hold-Open Arm	AL: Aluminum
TDC ARM-02: Cush Arm	DU: Duro
TDC ARM-03: Cush and Hold-Open Arm	DU: Duro
Example:	TDC ARM-01-AL
TDC ARM-01: Friction Hold-Open Arm	AL: Aluminum



Feature Highlight:

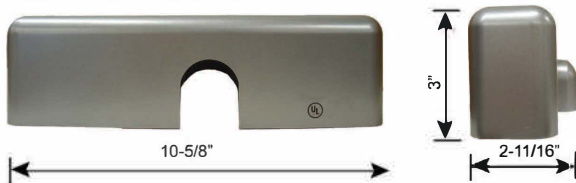
- Designed for medium traffic application, exterior or interior
- Aluminum cast body, non-handed
- Precision rack and pinion construction
- Tri-Style installation: includes hardware and brackets to allow for regular, top jam, and parallel arm installation
- Adjustable spring power from size 2 to size 5 (TDC-90), and BF to size 4 (TDC 90-BF)
- Separate and adjustable Latch, Sweep and Backcheck valves standard
- UL listed molded plastic full cover standard, metal cover optional
- All-weather fluid, allowing door closer to perform in temperatures ranging from -31°F to 140°F
- Needle Bearing application for higher efficiency
- 1-13/32" (35.8mm) diameter piston
- 7/16" (11.2mm) diameter pinion
- 3" (76mm) projection (standard cover)
- Finish: Aluminum and Duro stock finishes, other finishes upon request
- 25- year limited warranty

Profile

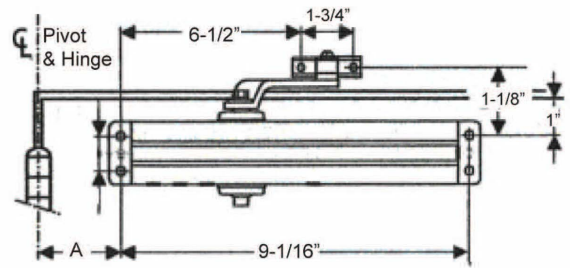
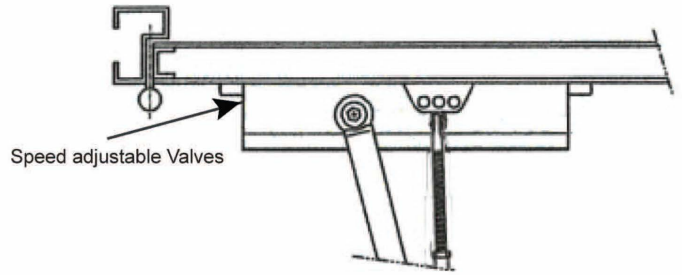
• Closer Body



• PDC-SLM-SLIM Closer Cover

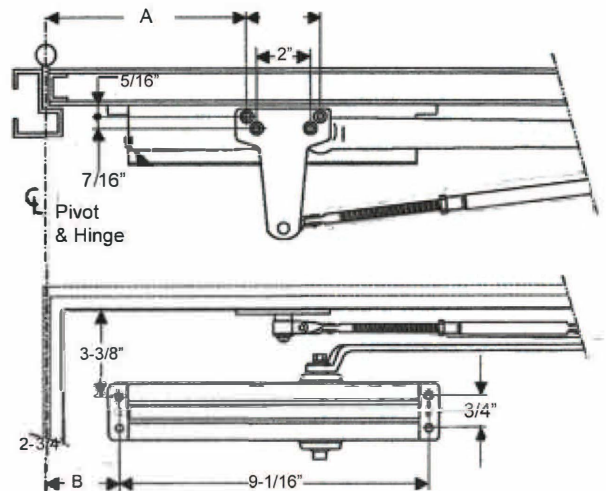


• Pull Side Installation



OPENING	DIM A
120°	6-1/2"
120° — 180°	4"

• Push Side Installation



OPENING	DIM A	DIM B
120°	10-3/4"	6-15/16"
120° — 180°	8-3/4"	4-3/4"



TDC90

HEAVY DUTY GRADE 1 DOOR CLOSER

Code Compliance

- ANSI: Comply with ANSI A156.4 Grade 1
- UL: UL and ULC listed
- ADA: TDC-90BF conforms to requirements of the Americans with Disabilities Act



Important Notes - Door Closers for Low Opening Force Applications

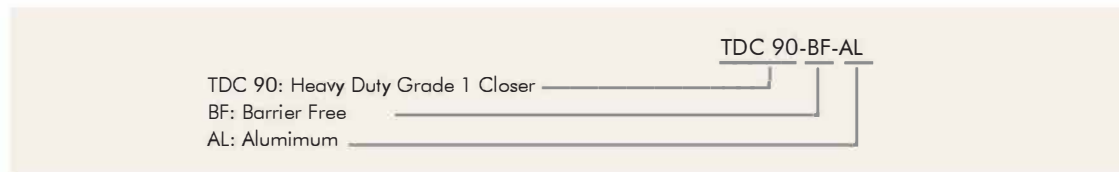
Door closers installed in openings required to meet the requirements of The Americans with Disabilities Act of ANSI Standard A117.1, when adjusted to meet those requirements, may not provide adequate closing power to dependably close and latch the door.

How to Order

TDC-90 Door Closer

Series	Function	Finishes
TDC 90: Heavy Duty Grade 1 Closer	Blank: No Delayed Action BF: Barrier Free	AL: Aluminum DU: Duro

Order Sample

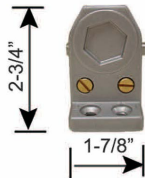
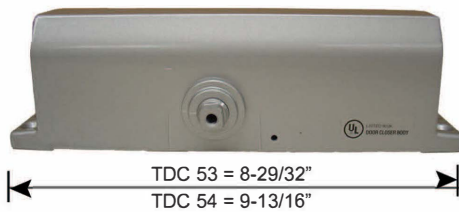


Feature Highlight

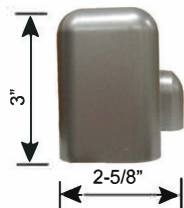
- Designed for low traffic application, interior or exterior
- Aluminum cast body, non-handed
- Precision rack and pinion construction
- Spring power size 3 (TDC-53), and size 4 (TDC-54)
- UL listed molded plastic full cover standard
- All-weather fluid, allowing door closer to perform in temperatures ranging from -31°F to 140°F
- Needle Bearing application for higher efficiency
- 1-13/32" (35.8mm) diameter piston
- 7/16" (11.2mm) diameter pinion
- 3" (76mm) projection (standard cover)
- Finish: Aluminum and Duro stock finishes

Profile

- Closer Body



- PDC-SLM-SLIM Line Cover



- TDC 53



- TDC 54



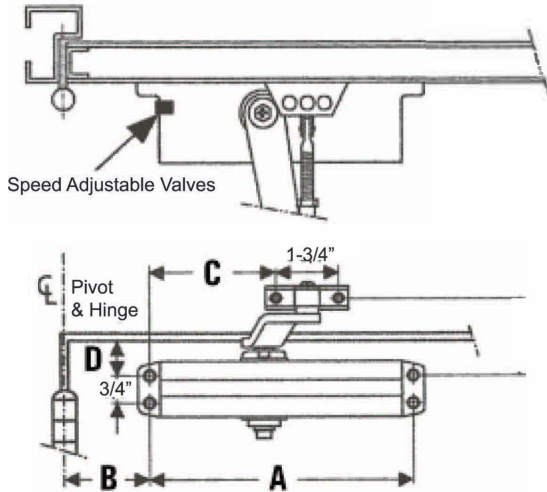


TDC53/54

GRADE 3 DOOR CLOSERS

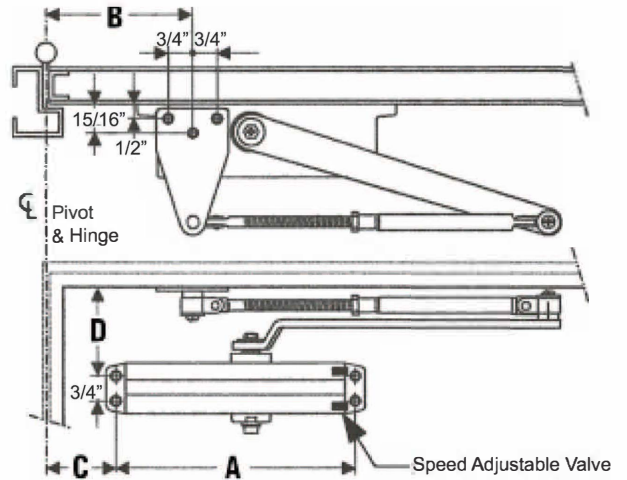
• Pull Side Installation

Model	A	B	C	D
TDC53	8-3/16"	4"	6-1/2"	1-1/8"
TDC54	9-1/16"	4"	6-1/2"	1-1/8"



• Push Side Installation

Model	A	B	C	D
TDC53	8-3/16"	8-3/4"	5-5/8"	3-3/8"
TDC54	9-1/16"	8-3/4"	4-3/4"	3-3/8"



Code Compliance

- ANSI: Comply with ANSI A156.4 Grade 3
- UL: UL and ULC listed



How to Order

TDC-53/54 Door Closer

Series	Finishes
TDC 53: Size 3 door closer	AL: Aluminum
TDC 54: Size 4 door closer	DU: Duro

Order Sample



ABOUT DOOR CLOSER

- Door Operation Frequency

	Application	Daily	Yearly
HIGH	Large Department Store Entrance	5,000	1,500,000
	Large Office Building Entrance	4,000	1,200,000
	Theater Entrance	1,000	450,000
	School Entrance	1,250	225,000
	School Restroom Door	1,250	225,000
	Store or Bank Entrance	500	150,000
	Office Building Restroom Door	400	118,000
AVERAGE	School Corridor Door	80	15,000
	Office Building Corridor Door	75	22,000
	Store Restroom Door	60	18,000
	Residential Entrance Door	40	15,000

- ANSI/BHMA A156.4 requirements on cycle test

- ANSI Grade 1 Door Closer: 2 million w/o BC, 1.5 million w/BC, Medium to High Traffic
- ANSI Grade 2 Door Closer: 1 million w/o BC, 750,000 w/BC, Low to Medium Traffic
- ANSI Grade 3 Door Closer: 500,000 w/ or w/o BC, Low Traffic

- Requirement of The Americans with Disabilities Act

Five pounds of opening force for interior doors. Labeled openings are exempt. Door closers installed in openings required to meet the requirements of The Americans with Disabilities Act of ANSI Standard A117.1, when adjusted to meet those requirements, may not provide adequate closing power to dependably close and latch the door.

- Closing (Sweep) Valves

Controls the sweep speed of the door from full open to proximately 10° open
 TDC-40/70/85/90 offers adjustable closing speed.
 TDC-53/54 offers size 3 or size 4 spring power.

- Latch Valves

Controls speed of closing or latching of the door in the last 10° before the door hits the latch point.

- Backcheck Valves

Operates when the door is approximately 70° open, slows the momentum of the door when it has been pushed or pulled open. Crucial in areas with strong winds or on closers without deadstops. This function is not to be used as a door stop.

- Optional Delayed Action Valves

operates when the door is approximately 70° open and holds the door in that position for a preset time.

- Efficiency

Ten pounds of opening force will yield about six pounds of closing force. With ADA, five pounds of opening force yields approximately three pounds of closing force.



TownSteel[®]
Architectural Hardware MFG

PRODUCT CATALOG

EXIT DEVICES

H

EXIT DEVICES

Subindex

- 1 How to order — Device order example**
- 2 9700 Series Exit Devices**
- 3 ED9700 / EF9700 — Rim Exit Device**
- 4 ED9727 / EF9727 — Surface Vertical Rod Exit Device**
- 5 ED9727LBR / EF9727LBR — Less Bottom Rod Exit Device**
- 6 ED9747 / EF9747 — Concealed Vertical Rod Exit Device**
- 7 ED9775 / EF9775 — Mortise Exit Device**
- 8 ED9757 / EF9757 — 3-point Exit Device**
- 9 3700 Series Narrow Stile Exit Devices**
- 10 ED3700 / EF3700 — Narrow Stile Rim Exit Device**
- 11 ED3727 / EF3727 — Narrow Stile Surface Vertical Rod Exit Device**
- 12 ED3727LBR / EF3727LBR — Narrow Stile Less Bottom Rod Exit Device**
- 13 ED3747 / EF3747 — Narrow Stile Concealed Vertical Rod Exit Device**
- 14 ED3775 / EF3775 — Narrow Stile Mortise Exit Device**
- 15 8900 Series Exit Devices**
- 16 ED8900 / EF8900 — Rim Exit Device**
- 17 ED8927 / EF8927 — Surface Vertical Rod Exit Device**
- 18 ED8927LBR / EF8927LBR — Less Bottom Rod Exit Device**
- 19 ED8947 / EF8947 — Concealed Vertical Rod Exit Device**
- 20 ED8975 / EF8975 — Mortise Exit Device**
- 21 Motorized Exit Device Trim**
- 22 How to order — 8900&9700 Series Kestros trim**
- 24 Kestros trim functions**
- 25 Electronic Locks — 2000 Series**
- 26 Electronic Locks — 5000 Series BLE**
- 27 Electronic Locks — 5000 Series Wi-Fi**
- 28 TownSteel Maxx Access System**
- 29 How to order — 8900 Series Mechanical trim**
- 30 Trim Selection**
- 36 Strikes**
- 39 Accessories**
- 41 Door Applications**

EF 37 27 3684 630 CD3 LBR

Rating

ED Panic exit hardware
 EF Fire exit hardware

Device model

37 3700 series Narrow stile
 89 8900 series
 97 9700 series

Device type

00 Rim
 27 Surface vertical rod
 47 Concealed vertical rod
 57 3 point device (For 9700 series only)
 75 Mortise

Device size

36 36" (914mm)
 48 48" (1219mm)
 consult factory for others

Door height

blank For Rim and Mortise
 84 84" (2134mm) (for SVR, CVR, 3PT and LBR)
 96 96" (2438mm) (for SVR, CVR, 3PT and LBR)

Finish

630 Satin stainless steel finish
 consult factory for others

Options

Blank	For regular device		
DE	Delayed egress	E	Electric mortise lock
LX	Latch bolt monitoring	CD3	3700 Series cylinder kit
LRX	Latch bolt+RQE monitoring	CD8	8900 Series cylinder kit
RX	RQE monitoring	CD9	9700 Series cylinder kit
2RX	Double RQE monitoring	AK3	3700 Series alarm kit
ELR	Electric latch retraction	AK8	8900 Series alarm kit
SS	Signal switch	AK9	9700 Series alarm kit

Less bottom rod option

Blank For regular device
 LBR Less bottom rod SVR device

Strikes and Shim Kits

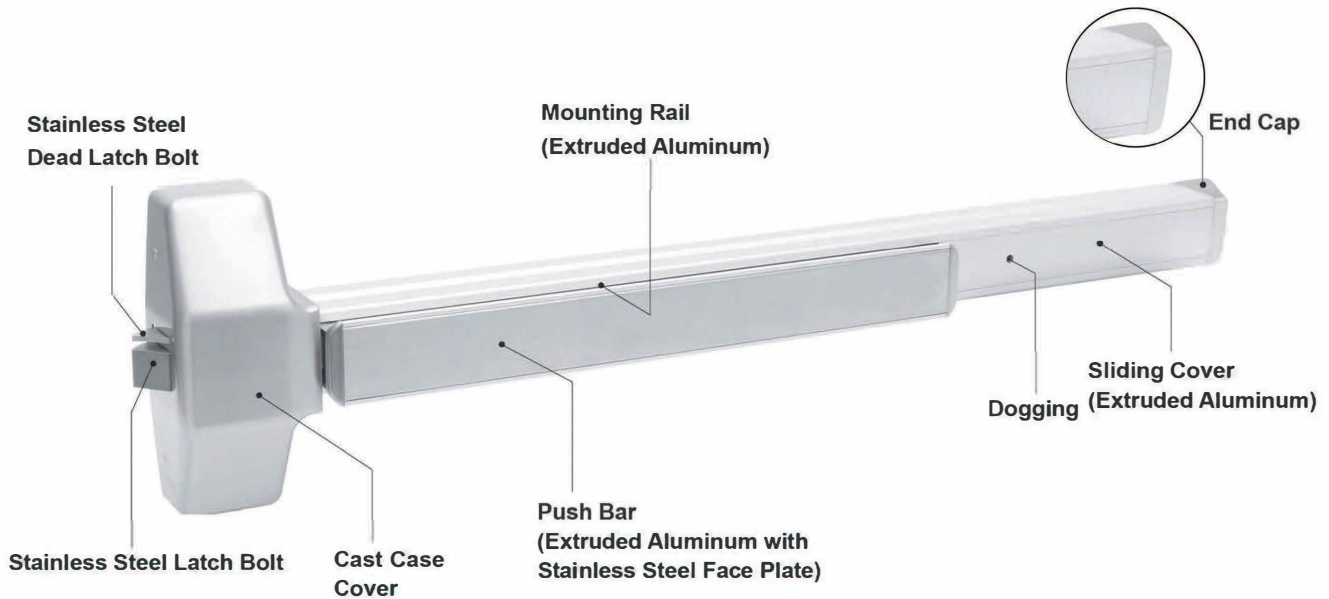
STK 600 (standard)	8900 Series Rim device
STK 900 (standard)	9700 & 3700 Series Rim/3PT device
STK 701 (optional)	8900 Series Rim device
O-STK 710 (optional)	8900, 3700, 9700 Series Rim device
T-STK 720 (standard)	SVR & 3PT
T-STK 720C (standard)	CVR
B-STK 730 (standard)	SVR & 3PT
B-STK 730C (standard)	CVR
B-STK 731 (optional)	SVR
B-STK 732 (optional)	SVR and CVR
B-STK 733 (optional)	SVR and CVR
SK-750 (standard)	Shim Kit for STK 600
SK-751 (optional)	Shim Kit for STK 701
SK-950 (standard)	Shim Kit for STK 900
SK-952 (standard)	Shim Kit for O-STK 710

Accessories

FP-760	Filler plate
FP-761	Filler plate
ETR-1	Extension rod 1'(305 mm)
ETR-1C	Extension rod 1' (for CVR)(305 mm)
ETR-2	Extension rod 2'(610 mm)
ETR-2C	Extension rod 2' (for CVR)(610 mm)
SNB-1	Sex nuts & bolts 1 1/4"-2" door(32-50.8 mm)
SNB-2	Sex nuts & bolts 2"-2 1/4" door(50.8-57 mm)
GSK-6R	Glass shim kit (8900 Series Rim)
GSK-3R	Glass shim kit (9700 Series Rim)
GSK-6V	Glass shim kit (8900 Series SVR, LBR, 3PT)
GSK-3V	Glass shim kit (9700 Series SVR, LBR, 3PT)
FL01-SS	Auxiliary Fire Latch bolt (LBR)
DK	Dogging Key

9700 Series Exit Devices

General Information

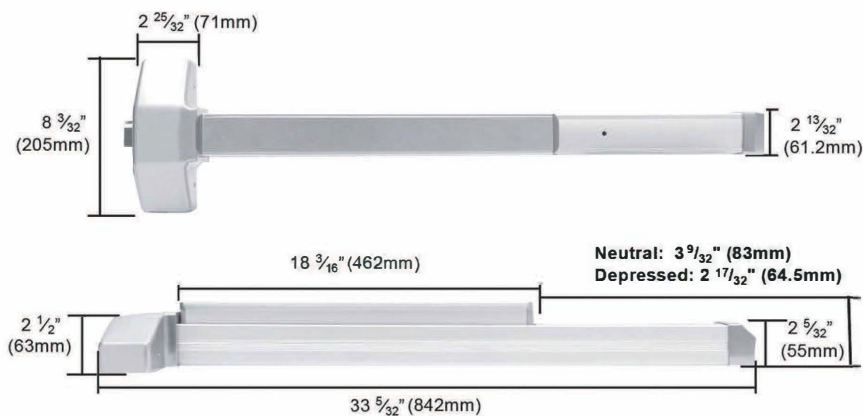


Features

- Full line of exit devices are certified to ANSI/BHMA A156.3 Grade1.
- All devices are non-handed or reversible design.
- UL Listed for Fire Exit hardware, 3 hours.
- High shock-resistant latching mechanical design for vandalism protection.
- "A" Label (3 hr) rating on pairs of doors up to 8' x 8' for same or double egress.
- All internal components are made of electro-plated corrosion-resistant alloy.

Dimensions

Standard for Door Width 36"



For Door Width	Device Size
28" (711 mm)	Please Consult Factory
48" (1219 mm)	48" (1219 mm) available

ED9700 / EF9700

—Rim Exit Device

RIM



Specifications

Handing	Non-handed
Finishes	630 standard (Consult factory for others)
Strikes	900 Rigid Strike standard
Alarm	Available with AK9
Latch bolt	Stainless Steel, 3/4" (19mm) throw
Dead Latch bolt	Stainless Steel
Dogging Feature	1/2 turn hex dogging standard For non-fire rated devices
Cylinder Dogging	Available with CD9
Door Size	36" (914mm) standard, 48" (1219mm) available (Consult factory for others)
Minimum Stile Width	4 3/4" (120mm)
Door Thickness	1 3/4" - 2" (45-50.8mm) standard (Consult factory for others)
Projection	Push bar Neutral 3 9/32" (83mm) Push bar Depressed 2 17/32" (64.5mm)
Mounting Height	41" (104.1cm) from CL to finished floor
ANSI	Certified ANSI/BHMA A156.3 Grade 1 standard
UL	Certified UL 305 & UL10C fire rated, 3 hours
Shim Kit	950 Shim kit standard

ED9727 / EF9727

—Surface Vertical Rod Exit Device

SVR

Top Strike
720



Specifications

Handing	Field Reversible
Finishes	630 standard (Consult factory for others)
Strikes	720 Top Strike standard 730 Bottom Strike standard
Alarm	Available with AK9
Latch bolt	Stainless Steel Top latch 3/4" (19mm) throw Bottom latch 1/2" (12.7mm) throw



Bottom Strike
730



Dead Latch bolt	None
Dogging Feature	1/2 turn hex key dogging standard For non-fire rated devices
Cylinder Dogging	Available with CD9
Door Size	36" (914mm) standard, 48" (1219mm) available (Consult factory for others)
Minimum Stile Width	4 3/4" (120mm)
Door Thickness	1 3/4" - 2" (45-50.8mm) standard (Consult factory for others)
Projection	Push bar Neutral 3 9/32" (83mm) Push bar Depressed 2 17/32" (64.5mm)
Mounting Height	41" (104.1cm) from CL to finished floor
ANSI	Certified ANSI/BHMA A156.3 Grade 1 standard
Fire Rated	Certified UL 305 & UL10C fire rated, 3 hours
Shim Kit	None

ED9727LBR / EF9727LBR

—Less Bottom Rod Exit Device

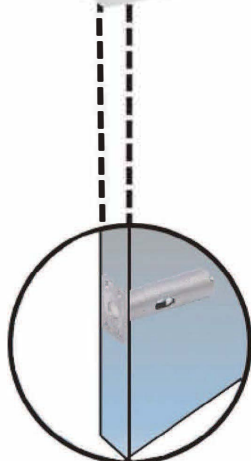


Top Strike
720

Specifications



Dogging key
(for non-fire rated devices)



Auxiliary Fire
Latch Assembly

Handing	Field Reversible
Finishes	630 standard (Consult factory for others)
Strikes	720 Top Strike standard No Bottom Strike
Alarm	Available with AK9
Latch bolt	Stainless Steel Top latch 3/4" (19mm) throw
Dead Latch bolt	None
Dogging Feature	1/2 turn hex key dogging standard For non-fire rated devices
Cylinder Dogging	Available with CD9
Door Size	36" (914mm) standard, 48" (1219mm) available (Consult factory for others)
Minimum Stile Width	4 3/4" (120mm)
Door Thickness	1 3/4" - 2" (45-50.8mm) standard (Consult factory for others)
Projection	Push bar Neutral 3 9/32" (83mm) Push bar Depressed 2 17/32" (64.5mm)
Mounting Height	41" (104.1cm) from CL to finished floor
ANSI	Certified ANSI/BHMA A156.3 Grade 1 standard
UL	Certified UL 305 & UL10C fire rated, 3 hours Fire latch only for fire-rated device
Shim Kit	None

ED9747 / EF9747

—Concealed Vertical Rod Exit Device

CVR

Top Strike
720C



Specifications



Handing	Field Reversible
Finishes	630 standard (Consult factory for others)
Strikes	720C Top Strike standard 730C Bottom Strike standard or 733 Bottom Strike
Alarm	Available with AK9
Latch bolt	Stainless Steel Top latch 3/4" (19mm) throw Bottom latch 1/2" (12.7mm) throw



Dogging key
(for non-fire rated devices)

Dead Latch bolt	None
Dogging Feature	1/2 turn hex key dogging standard For non-fire rated devices
Cylinder Dogging	Available with CD9
Door Size	36" (914mm) standard, 48" (1219mm) available (Consult factory for others)
Minimum Stile Width	4 3/4" (120mm)
Door Thickness	1 3/4" - 2" (45-50.8mm) standard (Consult factory for others)
Projection	Push bar Neutral 3 9/32" (83mm) Push bar Depressed 2 17/32" (64.5mm)
Mounting Height	41" (104.1cm) from CL to finished floor
ANSI	Certified ANSI/BHMA A156.3 Grade 1 standard
UL	Certified UL 305 & UL10C fire rated, 3 hours
Shim Kit	None



Bottom Strike
730C



Bottom Strike
733

ED9775 / EF9775

—Mortise Exit Device

MTP



Specifications

Handing	Field Reversible
Finishes	630 standard (Consult factory for others)
Strikes	905 Mortise Strike standard
Alarm	Available with AK9
Latch bolt	Stainless Steel, 3/4" (19mm) throw
Dead Latch bolt	Stainless Steel
Dogging Feature	1/2 turn hex key dogging standard For non-fire rated devices
Cylinder Dogging	Available with CD9
Door Size	36" (914mm) standard, 48" (1219mm) available (Consult factory for others)
Minimum Stile Width	4 3/4" (120mm)
Door Thickness	1 3/4" - 2" (45-50.8mm) standard (Consult factory for others)
Projection	Push bar Neutral 3 9/32" (83mm) Push bar Depressed 2 17/32" (64.5mm)
Mounting Height	39 3/16" (99.5cm) from CL to finished floor
ANSI	Certified ANSI/BHMA A156.3 Grade 1 standard
UL	Certified UL 305 & UL10C fire rated, 3 hours
Shim Kit	None

ED9757 / EF9757

—3-point Exit Device

3PT

Top Strike
720

Specifications



Dogging key
(for non-fire rated devices)



Shim Kit
950



Strike
900



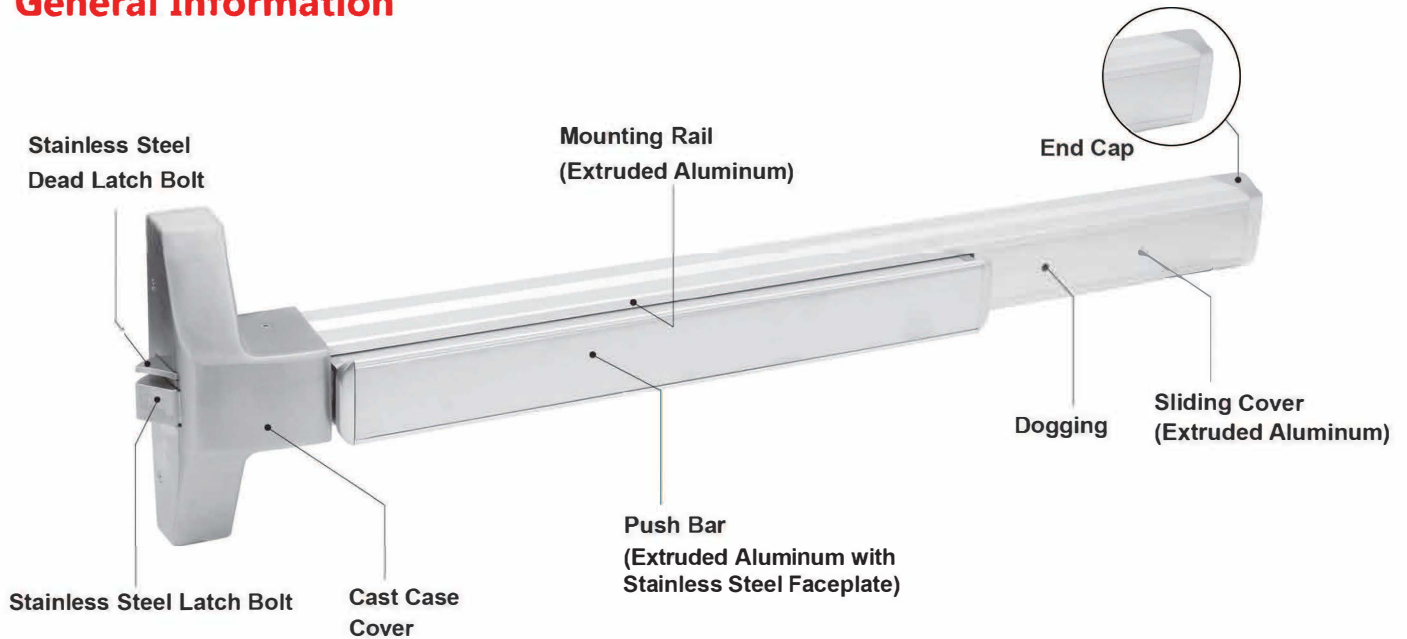
Bottom Strike
730



Handing	Field Reversible
Finishes	630 standard (Consult factory for others)
Strikes	900 Rigid Strike standard 720 Top Strike standard 730 Bottom Strike standard
Alarm	Available with AK9
Latch bolt	Stainless Steel, 3/4" (19mm) throw Top latch 3/4" (19mm) throw Bottom latch 1/2" (12.7mm) throw
Dead Latch bolt	None
Dogging Feature	1/2 turn hex key dogging standard For non-fire rated devices
Cylinder Dogging	Available with CD9
Door Size	36" (914mm) standard, 48" (1219mm) available (Consult factory for others)
Minimum Stile Width	4 3/4" (120mm)
Door Thickness	1 3/4" - 2" (45-50.8mm) standard (Consult factory for others)
Projection	Push bar Neutral 3 9/32" (83mm) Push bar Depressed 2 17/32" (64.5mm)
Mounting Height	41" (104.1cm) from CL to finished floor
ANSI	Certified ANSI/BHMA A156.3 Grade 1 standard
UL	Certified UL 305 & UL10C fire rated, 3 hours
Shim Kit	950 Shim kit standard

3700 Series Exit Devices

General Information

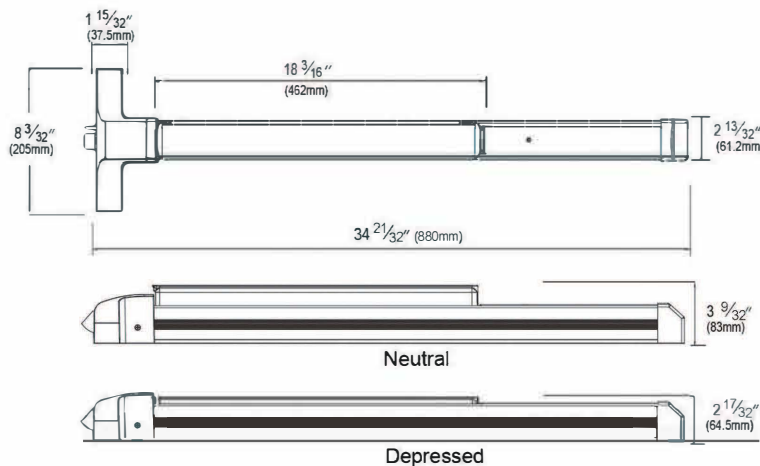


Features

- Full line of exit devices are certified to ANSI/BHMA A156.3 Grade1.
- All devices are non-handed or reversible design.
- UL Listed for Fire Exit hardware, 3 hours.
- High shock-resistant latching mechanical design for vandalism protection.
- "A" Label (3 hr) rating on pairs of doors up to 8' x 8' for same or double egress.
- All internal components are made of electro-plated steel or corrosion-resistant alloy.

Dimensions

Standard for Door Width 36"



For Door Width	Device Size
28" (711 mm)	Please Consult Factory
48" (1219 mm)	48" (1219 mm) available

ED3700 / EF3700

—Narrow Stile Rim Exit Device

NRIM



Specifications

Handing	Non-handed
Finishes	630 standard (Consult factory for others)
Strikes	900 Strike standard
Alarm	Available with AK3
Latch bolt	Stainless Steel, 3/4" (19mm) throw
Dead Latch bolt	Stainless Steel
Dogging Feature	1/2 turn hex key dogging standard For non-fire rated devices
Cylinder Dogging	Available with CD3
Door Size	36" (914mm) standard, 48" (1219mm) available (Consult factory for others)
Minimum Stile Width	1 3/4" (45mm)
Door Thickness	1 3/4" - 2" (45-50.8mm) standard (Consult factory for others)
Projection	Push bar Neutral 3 9/32" (83mm) Push bar Depressed 2 17/32" (64.5mm)
Mounting Height	41" (104.1cm) from CL to finished floor
ANSI	Certified ANSI/BHMA A156.3 Grade 1 standard
UL	Certified UL 305 & UL fire rated, 3 hours
Shim Kit	950 shim kit standard

ED3727 / EF3727

NSVR

—Narrow Stile Surface Vertical Rod Exit Device

Top Strike
720



Dogging key
(for non-fire rated devices)



Bottom Strike
730

Specifications

Handing	Field Reversible
Finishes	630 standard (Consult factory for others)
Strikes	720 Top Strike standard 730 Bottom Strike standard
Alarm	Available with AK3
Latch bolt	Stainless Steel Top latch 3/4" (19mm) throw Bottom latch 1/2" (12.7mm) throw
Dead Latch bolt	None
Dogging Feature	1/2 turn hex key dogging standard For non-fire rated devices
Cylinder Dogging	Available with CD3
Door Size	36" (914mm) standard, 48" (1219mm) available (Consult factory for others)
Minimum Stile Width	1 3/4" (45mm)
Door Thickness	1 3/4" - 2" (45-50.8mm) standard (Consult factory for others)
Projection	Push bar Neutral 3 9/32" (83mm) Push bar Depressed 2 17/32" (64.5mm)
Mounting Height	41" (104.1cm) from CL to finished floor
ANSI	Certified ANSI/BHMA A156.3 Grade 1 standard
UL	Certified UL 305 & 10C fire rated, 3 hours
Shim Kit	None

ED3727LBR / EF3727LBR

NLBR

—Narrow Stile Less Bottom Rod Exit Device

Top Strike
720



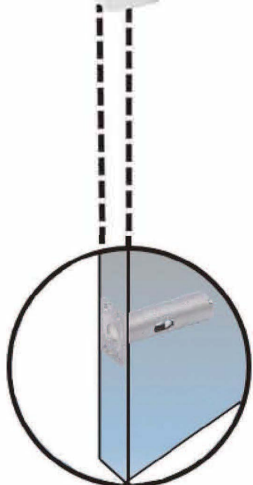
Specifications

Handing	Field Reversible
Finishes	630 standard (Consult factory for others)
Strikes	720 Top Strike standard No Bottom Strike
Alarm	Available with AK3
Latch bolt	Stainless Steel Top latch 3/4" (19mm) throw
Dead Latch bolt	None



Dogging key
(for non-fire rated devices)

Dogging Feature	1/2 turn hex key dogging standard For non-fire rated devices
Cylinder Dogging	Available with CD3
Door Size	36" (914mm) standard, 48" (1219 mm) available (Consult factory for others)
Minimum Stile Width	1 3/4" (45mm)
Door Thickness	1 3/4" - 2" (45-50.8mm) standard (Consult factory for others)
Projection	Push bar Neutral 3 9/32" (83mm) Push bar Depressed 2 17/32" (64.5mm)
Mounting Height	41" (104.1cm) from CL to finished floor
ANSI	Certified ANSI/BHMA A156.3 Grade 1 standard
UL	Certified UL 305 & 10C fire rated, 3 hours Fire latch only for fire-rated device
Shim Kit	None



Auxiliary Fire
Latch Assembly

ED3747 / EF3747

—Narrow Stile Concealed Vertical Rod Exit Device

NCVR

Top Strike
720C



Bottom Strike
730C



Bottom Strike
733

Specifications

Handing	Field Reversible
Finishes	630 standard (Consult factory for others)
Strikes	720C Top Strike standard 730C Bottom Strike standard or 733 Bottom Strike
Alarm	Available with AK3
Latch bolt	Stainless Steel Top latch 3/4" (19mm) throw Bottom latch 1/2" (12.7mm) throw
Dead Latch bolt	None
Dogging Feature	1/2 turn hex key dogging standard For non-fire rated devices
Cylinder Dogging	Available with CD3
Door Size	36" (914mm) standard, 48" (1219mm) available (Consult factory for others)
Minimum Stile Width	1 3/4" (45mm)
Door Thickness	1 3/4" - 2" (45-50.8mm) standard (Consult factory for others)
Projection	Push bar Neutral 3 9/32" (83mm) Push bar Depressed 2 17/32" (64.5mm)
Mounting Height	41" (104.1cm) from CL to finished floor
ANSI	Certified ANSI/BHMA A156.3 Grade 1 standard
UL	Certified UL 305 & 10C fire rated, 3 hours
Shim Kit	None



Dogging key
(for non-fire rated devices)

ED3775 / EF3775

—Narrow Stile Mortise Exit Device

NMTP

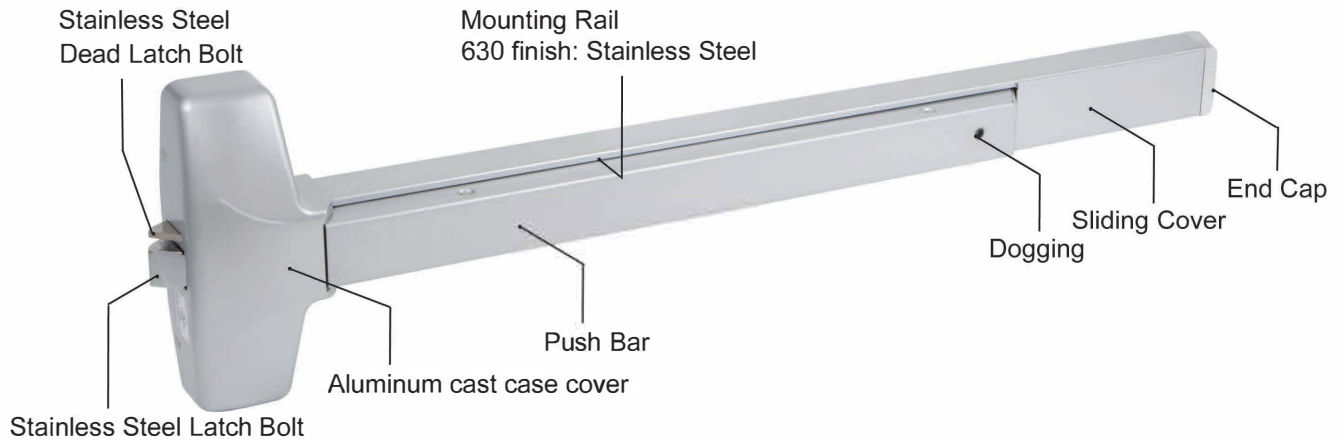


Specifications

Handing	Field Reversible
Finishes	630 standard (Consult factory for others)
Strikes	905 Mortise Strike standard
Alarm	Available with AK3
Latch bolt	Stainless Steel, 3/4" (19mm) throw
Dead Latch bolt	Stainless Steel
Dogging Feature	1/2 turn hex key dogging standard For non-fire rated devices
Cylinder Dogging	Available with CD3
Door Size	36" (914mm) standard, 48" (1219mm) available (Consult factory for others)
Minimum Stile Width	4 3/4" (120mm)
Door Thickness	1 3/4" - 2" (45-50.8mm) standard (Consult factory for others)
Projection	Push bar Neutral 3 9/32" (83mm) Push bar Depressed 2 17/32" (64.5mm)
Mounting Height	39 3/16" (99.5cm) from CL to finished floor
ANSI	Certified ANSI/BHMA A156.3 Grade 1 standard
UL	Certified UL 305 & UL10C fire rated, 3 hours
Shim Kit	None

8900 Series Exit Devices

General Information

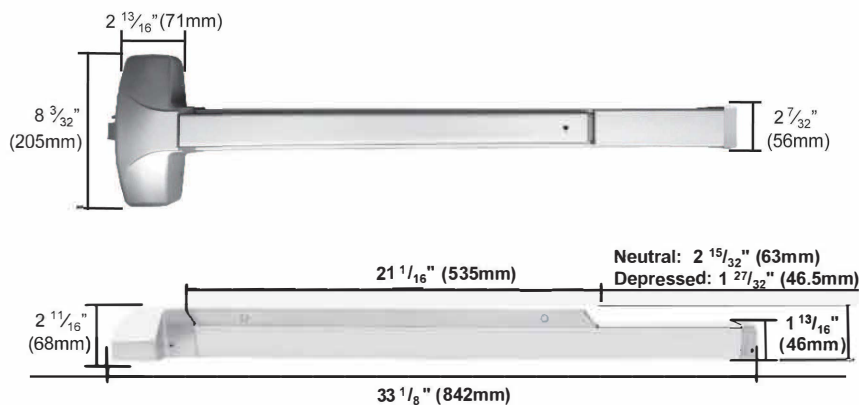


Features

- ANSI/BHMA A156.3, Grade 1 in ALL series exit devices.
- All devices are non-handed or reversible design.
- UL Listed for Fire Exit hardware, 3 hours.
- Variety of rose and escutcheon levers.
- Trims feature a through-bolt design that allow for a secure and durable installation.
- High shock-resistant latching mechanical design for protection.
- "A" Label (3 hr) rating on pairs of doors up to 8' x 8' for same or double egress.
- All internal components are made of electro-plated steel and corrosion-resistant alloy.

Dimensions

Standard for Door Width 36"



For Door Width	Device Size
24" (610 mm)	Please Consult Factory
48" (1219 mm)	48" (1219 mm) available

ED8900 / EF8900

—Rim Exit Device

RIM



Specifications

Handing	Non-handed
Finishes	630 standard, AL, Duro (Consult factory for others)
Strikes	600 Rigid Strike standard
Alarm	Available with AK8
Latch bolt	Stainless Steel, 3/4" (19mm) throw
Dead Latch bolt	Stainless Steel
Dogging Feature	1/2 turn hex key dogging standard For non-fire rated devices
Cylinder Dogging	Available with CD8
Door Size	36" (914mm) standard, 48" (1219mm) available (Consult factory for others)
Minimum Stile Width	4 3/4" (120mm)
Door Thickness	1 3/4" - 2" (45-50.8mm) standard (Consult factory for others)
Projection	Push bar Neutral 2 15/32" (63mm) Push bar Depressed 1 27/32" (46.5mm)
Mounting Height	41" (104.1cm) from CL to finished floor
ANSI	Certified ANSI/BHMA A156.3 Grade 1 standard
UL	Certified UL 305 & UL 10C fire rated, 3 hours
Shim Kit	750 shim kit standard

ED8927 / EF8927

—Surface Vertical Rod Exit Device

SVR

Top Strike
720



Bottom Strike
730

Specifications

Handing	Field Reversible
Finishes	630 standard, AL, Duro (Consult factory for others)
Strikes	720 Top Strike standard 730 Bottom Strike standard
Alarm	Available with AK8
Latch bolt	Stainless Steel Top latch 3/4" (19mm) throw Bottom latch 1/2" (12.7mm) throw
Dead Latch bolt	None
Dogging Feature	1/2 turn hex key dogging standard For non-fire rated devices
Cylinder Dogging	Available with CD8
Door Size	36" (914mm) standard, 48" (1219mm) available (Consult factory for others)
Minimum Stile Width	4 3/4" (120mm)
Door Thickness	1 3/4" - 2" (45-50.8mm) standard. (Consult factory for others)
Projection	Push bar Neutral 3 15/32" (63mm) Push bar Depressed 1 27/32" (46.5mm)
Mounting Height	41" (104.1cm) from CL to finished floor
ANSI	Certified ANSI/BHMA A156.3 Grade 1 standard
UL	Certified UL 305 & UL10C fire rated, 3 hours
Shim Kit	None



Dogging key
(for non-fire rated devices)

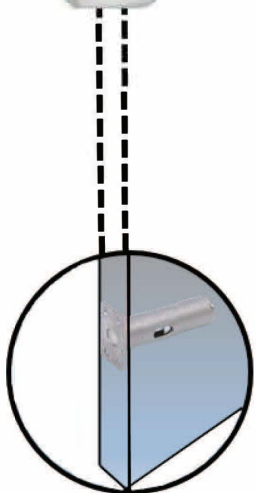
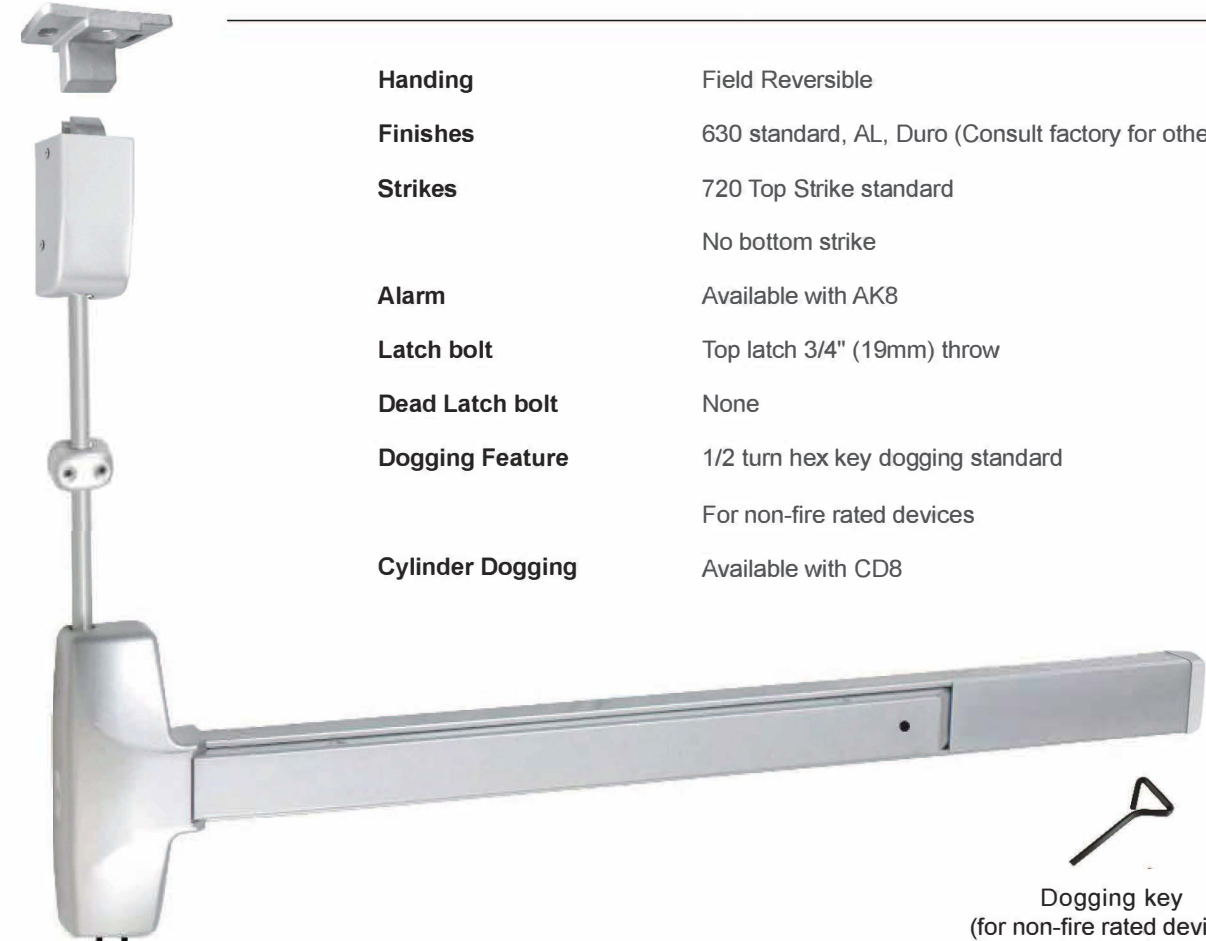
ED8927LBR / EF8927LBR

—Less Bottom Rod Exit Device

LBR

Top Strike
720

Specifications



**Auxiliary Fire
Latch Assembly**

Handing	Field Reversible
Finishes	630 standard, AL, Duro (Consult factory for others)
Strikes	720 Top Strike standard No bottom strike
Alarm	Available with AK8
Latch bolt	Top latch 3/4" (19mm) throw
Dead Latch bolt	None
Dogging Feature	1/2 turn hex key dogging standard For non-fire rated devices
Cylinder Dogging	Available with CD8
Door Size	36" (914mm) standard, 48" (1219mm) available (Consult factory for others)
Minimum Stile Width	4 3/4" (120mm)
Door Thickness	1 3/4" - 2" (45-50.8mm) standard (Consult factory for others)
Projection	Push bar Neutral 2 15/32" (63mm) Push bar Depressed 1 27/32" (46.5mm)
Mounting Height	41" (104.1cm) from CL to finished floor
ANSI	Certified ANSI/BHMA A156.3 Grade 1 standard
UL	Certified UL 305 & UL10C fire rated, 3 hours Fire latch only for fire-rated device (option)
Shim Kit	None

ED8947 / EF8947

CVR

—Concealed Vertical Rod Exit Device

Top Strike
720C



Bottom Strike
730C

Bottom Strike
733

Specifications

Handing	Field Reversible
Finishes	630 standard, AL, Duro (Consult factory for others)
Strikes	720C Top Strike standard 730C Bottom Strike standard or 733 Bottom Strike
Alarm	Available with AK8
Latch bolt	Stainless Steel Top latch 3/4" (19mm) throw Bottom latch 1/2" (12.7mm) throw
Dead Latch bolt	None
Dogging Feature	1/2 turn hex key dogging standard For non-fire rated devices
Cylinder Dogging	Available with CD8
Door Size	36" (914mm) standard, 48" (1219mm) available (Consult factory for others)
Minimum Stile Width	4 3/4" (120mm)
Door Thickness	1 3/4" - 2" (45-50.8mm) standard (Consult factory for others)
Projection	Push bar Neutral 2 15/32" (63mm) Push bar Depressed 1 27/32" (46.5mm)
Mounting Height	41" (104.1cm) from CL to finished floor
ANSI	Certified ANSI/BHMA A156.3 Grade 1 standard
UL	Certified UL 305 & UL 10C fire rated, 3 hours
Shim Kit	None



Dogging key
(for non-fire rated devices)

ED8975 / EF8975

—Mortise Exit Device



**Strike
905**

**Dogging key
(for non-fire rated devices)**

Specifications

Handing	Field Reversible
Finishes	630 standard, AL, Duro (Consult factory for others)
Strikes	905 Mortise Strike standard
Alarm	Available with AK8
Latch bolt	Stainless Steel, 3/4" (19mm) throw
Dead Latch bolt	Stainless Steel
Dogging Feature	1/2 turn hex key dogging standard For non-fire rated devices
Cylinder Dogging	Available with CD8
Door Size	36" (914mm) standard, 48" (1219mm) available (Consult factory for others)
Minimum Stile Width	4 3/4" (120mm)
Door Thickness	1 3/4" - 2" (45-50.8mm) standard (Consult factory for others)
Projection	Push bar Neutral 2 15/32" (63mm) Push bar Depressed 1 27/32" (46.5mm)
Mounting Height	41" (104.1cm) from CL to finished floor
ANSI	Certified ANSI/BHMA A156.3 Grade 1 standard
UL	Certified UL 305 & UL10C fire rated 3 hours
Shim Kit	None

Motorized Exit Device Trim

US PATENT: #10604963

Motorized Exit Device Trim

- Push bar with electronic control (Electronic trim only. Exit push bar sold separately)
- UL 10C 3 Hour Rated
- Gap between lever return and door surface less than 1/2" (12.7mm) (dependent upon lever selection)
- Backset: 2-3/4" (70mm)
- Door thickness: 1-3/4" - 2" (45-50.8mm), other upon request

Cylinder Specifications

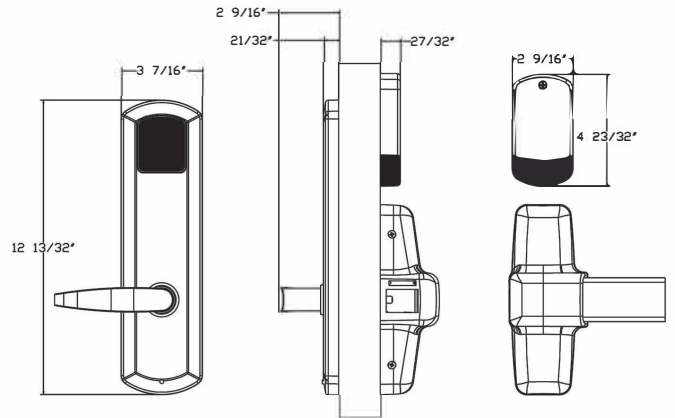
- Schlage® C keyway, brass 6 pin cylinder standard
- SFIC less core, for 6 or 7 pin
- Schlage® LFIC less core, Corbin® LFIC less core available
- High security SFIC core available, TownSteel "L" keyway, 7 pin
- KD, KA, MK, GGMK, and construction keying available



Quest lever shown



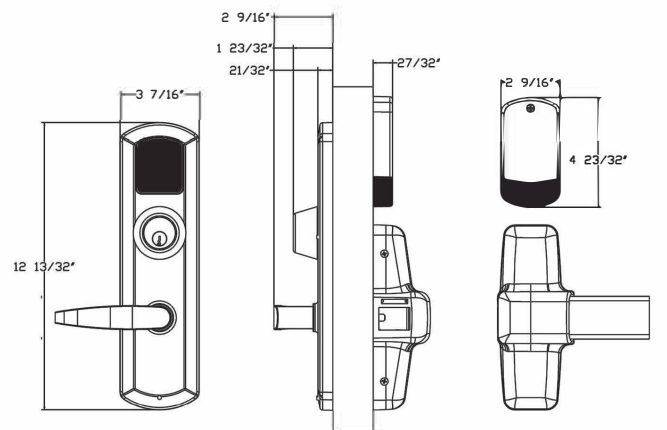
ANSI Grade 1
UL Listed



Sentinel lever shown



ANSI Grade 1
UL Listed





KES 914e R 1 S LHR 626 SC

Escutcheon

EKE1A	Electronic trim
EKE1B	Electronic trim with cylinder
KES	Electrified or mechanical trim

KES Functions

Blank	For EKE
902	Dummy
903	Night Latch (Storeroom)
908	Entrance
909e	Electrified trim with cylinder (10-30 VDC)
914	Passage
914e	Electrified trim (10-30 VDC)

EKE Functions

Blank	For KES
2	2000 series, metal keypad
5R	5000 series, touch keypad, RFID & Wi-Fi
5B	5000 series, touch keypad, RFID & BLE
6	6000 series, RFID technology

Exit device type

R	Rim devices
S	Surface vertical rod, 3PT & LBR devices
M	Mortise exit devices
C	Concealed vertical rod devices

Electrified rating (Electrified trim only)

Blank	Electronic or mechanical trim
1	FAIL SAFE
2	FAIL SECURE

Lever

S	Sentinel
Q	Quest
Consult factory for others	

Handing

LHR	Left Hand Reverse
RHR	Right Hand Reverse

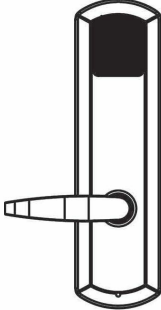
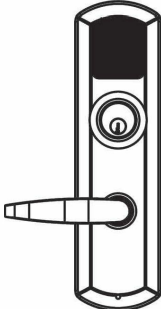
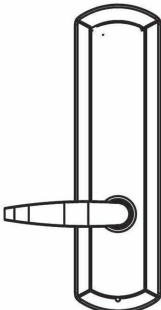

Finish

626	Satin Chrome finish (standard)
consult factory for others	

Cylinder

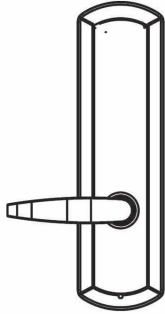
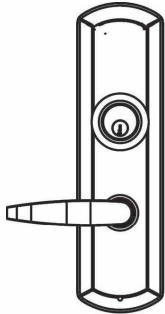
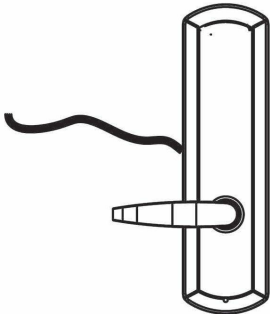
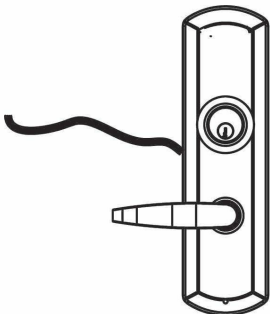
Blank	Trim without cylinder
SC	Schlage® C keyway, brass 6 pin cylinder (standard)
SFIC	Small Format IC, less core
SLFIC	Schlage® LFIC less core
L7	High security 7 pin cylinder with TownSteel "L" keyway
CLFIC	Corbin® LFIC less core

Escutcheon Lever Trim

Illustration	Series	Function	Function Description
	EKE1A	F13 ENTRANCE BY COMBINATION	Electronic Trim Battery powered with 4 AA batteries
	EKE1B	F13 ENTRANCE BY KEY OR COMBINATION	Electronic Trim Cylinder override and battery powered with 4 AA batteries
	KES 902	DUMMY	Non-functioning set without locking mechanism
	KES 903	F03 NIGHT LATCH, KEY RETRACTS LATCH	Entrance by trim when latch is retracted by key. Key removable only when locked.



Escutcheon Lever Trim

Illustration	Series	Function	Function Description
	KES-914	F14 PASSAGE LEVER OR KNOB ALWAYS ACTIVE	Latch bolt operated by lever at all times.
	KES-908	F-08 ENTRANCE, KEY LOCKS OR UNLOCKS LATCH	Entrance by lever, key locks or unlocks lever
	KES-914e	F-914e 1 - FAIL SAFE 2 - FAIL SECURE	Electrified trim FAIL SAFE or FAIL SECURE No cylinder Operable at 10-30 VDC
	KES-909e	F-909e 1 - FAIL SAFE 2 - FAIL SECURE	Electrified trim FAIL SAFE or FAIL SECURE With key override Operable at 10-30 VDC

Electronic Locks

2000 Series

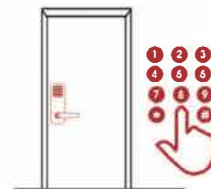
2000 Series is a standalone electronic function lock that provides keypad technology integrated with an ANSI Grade 1 heavy duty lockset for greater security. Keypad technology simplifies the management of the system and provides ease of use. Maximum code capacity includes 1 master code, 100 user codes, and 5 service codes. The 2000 Series is quick and easy to program.

Electronic Specifications

Application	Full indoor and outdoor
User codes	Up to 100
Communication	Multi-colored LED and Sound
Power supply	4AA Alkaline batteries
Battery life	Up to 2 years
Operating Temperature	-31 ° F to 151 ° F (-35°C to 66°C)
Certifications	FCC Part 15

Programming Features

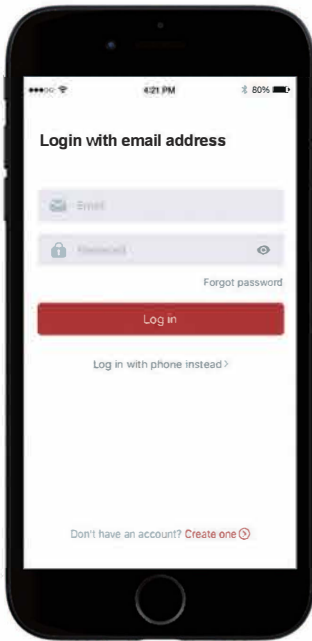
- 12-key push button illuminated
- Code length: 4-6 digits
- 100 pin codes capacity



Series 5000 BLE

Mobile application & BLE Series Locks

BLE



General Information

The TSE Home mobile application simplifies the ability to connect users to their locks and provides the power to manage access. The user can use their compatible bluetooth mobile device to conveniently and securely access assigned rooms. View activity logs of your property and be aware when batteries need to be changed.

With the TSE Home mobile app, it's easy to configure settings, manage users, add and delete credentials, and view activity log. Updates to configuration and access privileges can be sent to the device using the TSE Home mobile app.

General Information

Electronic credentials simplify managing keys and eliminate the need to re-key locks by allowing the owner to provide a unique credential to authorized users that can be deleted and replaced if lost.

Smart credentials (13.56 MHz)

- MIFARE® S50 EV1 1k
- MIFARE® S70 EV1 4k
- PIN Codes (6-10 digits)
- Up to 400 codes or keycards

Features

TSE Home mobile app

- Add new locks or devices
- Configure lock and device settings*
- Add new user codes*
- Assign users to each credential
- Manage users and assign privileges
- View and export audits*
- Receive notifications and updates*
- Manage device firmware updates*
- Configure lock and device settings*
- Unlock the door wirelessly*

* Completed within 20 feet of the lock

Technology recommendations

Apple iOS

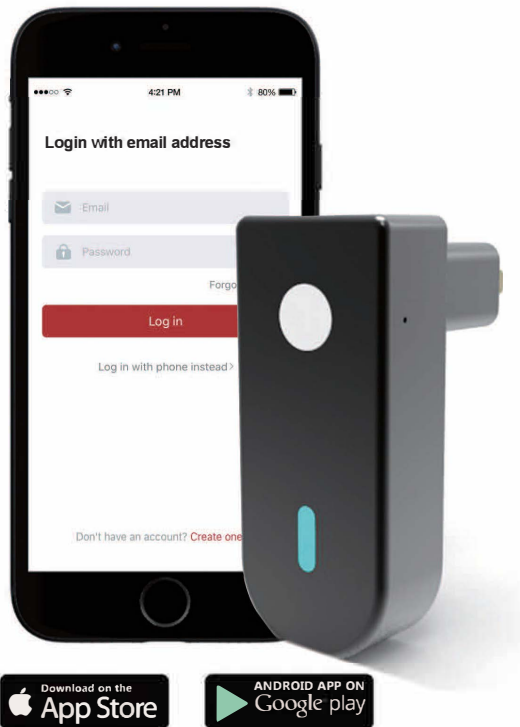
- Apple iOS 13 & higher
- iPhone 8 or newer

Android

- Android 10.0 & higher
- A device from a major manufacturer is recommended
 - Google Nexus 6 or newer, Pixel or newer
 - HTC One m9
 - Samsung S6 or newer

Series 5000 Wi-Fi

Mobile application & Wi-Fi Series Locks



General Information

The TSE Home mobile application simplifies the ability to connect users to their locks and provides the power to manage access. Grant a temporary guest key, view the activity log and stay aware when batteries need to be changed.

In order to operate the locks you will require a Gateway. The Gateway sends and receives data stream from your Phone/APP (Remotely) via the Internet Router in your property and converts it into RF signals to communicate with the Series 5000 Wi-Fi Lock.

With the TSE Home mobile app, it's easy to configure settings, manage users, assign access privileges, add and delete credentials, and view activity log and alerts. Updates to configuration and access privileges can be sent to the lock remotely.

General Information

Electronic credentials simplify managing keys and eliminate the need to re-key locks by allowing the owner to provide a unique credential to authorized users that can be deleted and replaced if lost.

Smart credentials (13.56 MHz)

- MIFARE® S50 EV1 1k
- MIFARE® S70 EV1 4k
- PIN Codes (6-10 digits)
- Up to 400 codes or keycards

System features

TSE Home mobile app

- Add new locks or devices
- Configure lock and device settings
- Add new users and credentials*
- Assign users to each credential*
- Manage users and assign access privileges*
- View and export audits
- Receive notifications and updates*
- Manage device firmware updates*
- Configure lock and device settings*
- Unlock the door wirelessly*

* Completed remotely using Wi-Fi Gateway

Technology recommendations

Apple iOS

- Apple iOS 13 & higher
- iPhone 8 or newer

Android

- Android 10.0 & higher
- A device from a major manufacturer is recommended
 - Google Nexus 6 or newer, Pixel or newer
 - HTC One m9

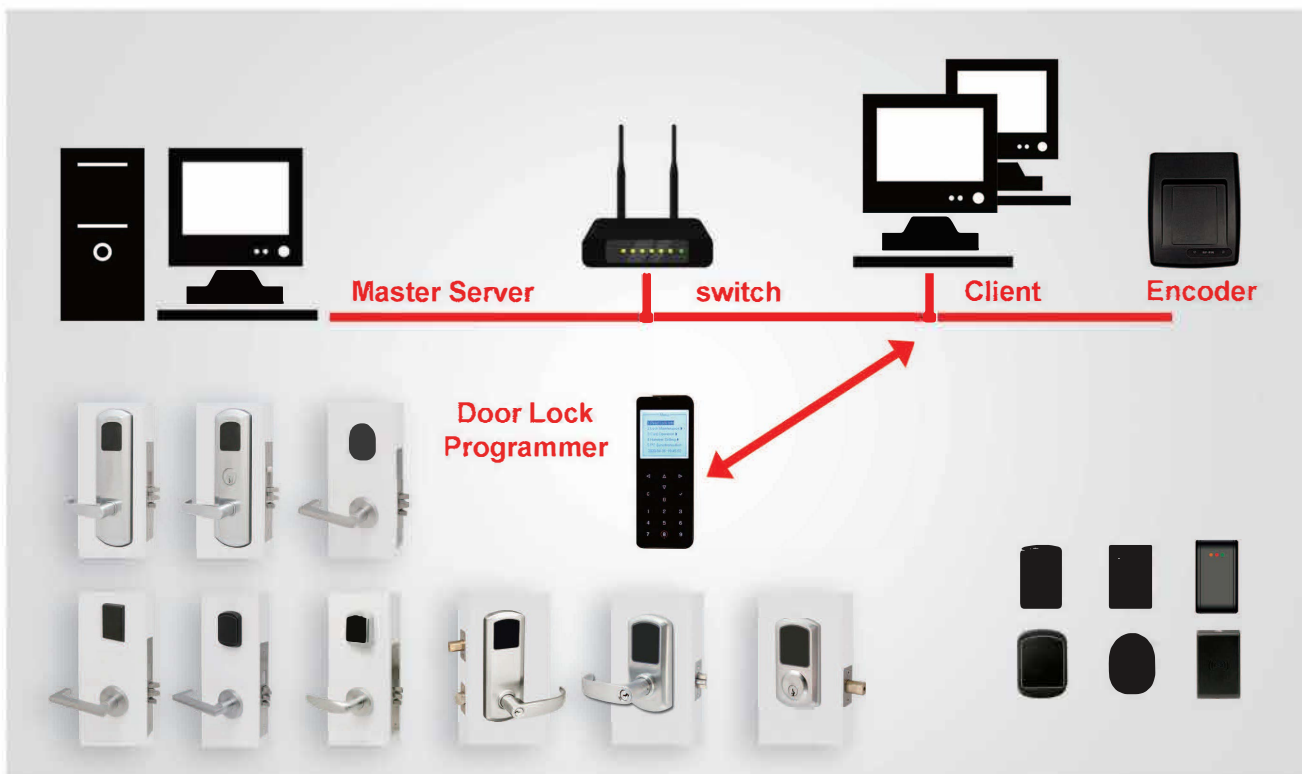
TownSteel Maxx Access System

Overview

Maxx Access System management software provides a comprehensive cost-effective and access control solution for properties. Whether you are managing apartments, privatized student housing or senior living facilities, TownSteel now offers a centralized interface to manage all aspects of property access control from individual living spaces to property perimeter and elevator control.

This offline Windows®-based system designed by TownSteel for enhanced user experience and security, offers centralized administration and control of sites scalable to your needs. Some of the system's top features impacting multi-housing and hotels can tailor access privileges to staff or guests quickly and easily using the intuitive, user-friendly software. Single-door architecture makes specifying, installing, and maintaining the system secure yet straightforward. Advanced features include integrated access control and elevator control. Plus, you can quickly generate multi-activity reports in a few clicks. It is compatible with all TownSteel 6000 series locks such as the e-Kestros, e-Kontos, e-Genius, e-Elite, e-Trident and e-Cronus.

- Create user profiles to secure system access.
- Facilitates replacement of lost cards.
- Common and restricted area management through credential or scheduled access.
- View, save or print reports
- Supports multi-room access with one key.
- Securely programs and encodes credentials and accessories.



Trim order example

ED8900T 08 R 630 SC

Trim Selection

ED8900LS	Sectional CTS lever trim
ED8900LQ	Sectional SDQ lever trim
ED8900P1	Pull trim
ED8900P2	Pull trim
ED8900P3	Pull trim
ED8900T	Thumbpiece trim
ED8900NE	Narrow stile lever trim escutcheon
ED8900NP	Narrow stile pull trim

Function

08	Entrance
09	Storeroom
14	Passage
02	Dummy
01	Cover (Pull trim only)

Exit device type

R	Regular (Rim, SVR, LBR & 3 point)
M	Mortise exit device
C	Concealed vertical rod exit device

Finish

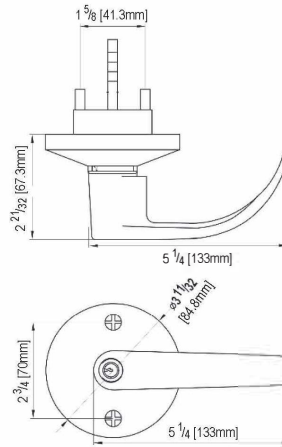
630	Satin Stainless Steel finish (standard)
ALUM	Aluminum finish (standard for pull trim)
consult factory for others	

Cylinder

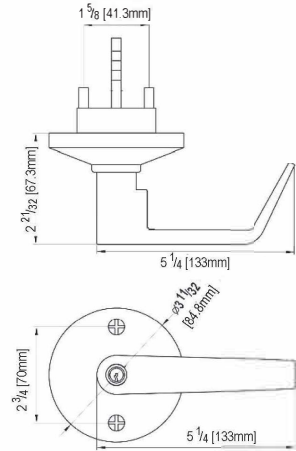
SC	6 pin Schlage [®] C keyway
SFIC	Small format IC (SFIC) Less core
SLFIC	Schlage [®] large format IC less core
CLFIC	Corbin [®] large format IC less core



Sectional Lever Trim



ED8900LQ Lever shown



ED8900LS Lever shown

Features:

- Non-handed
- Compatible with 8900 Series Exit Device
- Thru-bolted mounting
- Available for panic and fire rated rim and vertical rod exit devices
- Rose Diameter: 3-11/32" (84.8mm)
- Lever length: 5-1/4" (133mm)
- Door thickness: 1-3/4" (45mm)
- Cylinder: Schlage[®] C keyway standard, 6 pin
- SFIC & SLFIC: Less core
- Available finish: US32D

Function

Trim Type	ANSI Code	Function
ED8900L-02	F-02 Dummy	Pull when dogged
ED8900L-08	F-08 Entrance	Key locks or unlocks latch bolt
ED8900L-09	F-09 Storeroom	Night latch, key retracts latch bolt
ED8900L-14	F-14 Passage	Lever operable

How To Order

Trim Type	ED8900LS ED8900LQ
Function	02, 08, 09, 14
Exit Device Type	R: Rim, SVR, LBR & 3PT M: Mortise C: CVR
Finish	626 (consult factory for others)
Cylinder	SC, SFIC, SLFIC

Example:

ED8900LS - 08 - R - 626 - SC

1. ED8900LS
2. Entrance
3. Rim
4. US26D
5. Schlage[®] C keyway

Pull Trim

ED8900P1



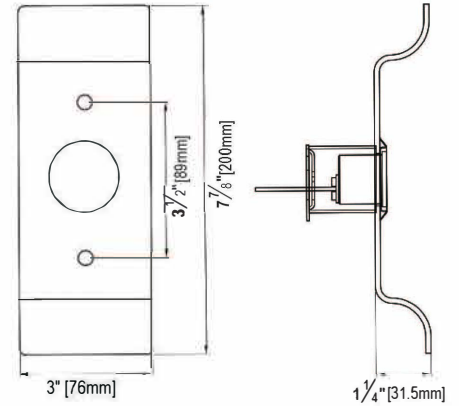
Storeroom



Dummy



Cover



ED8900P2



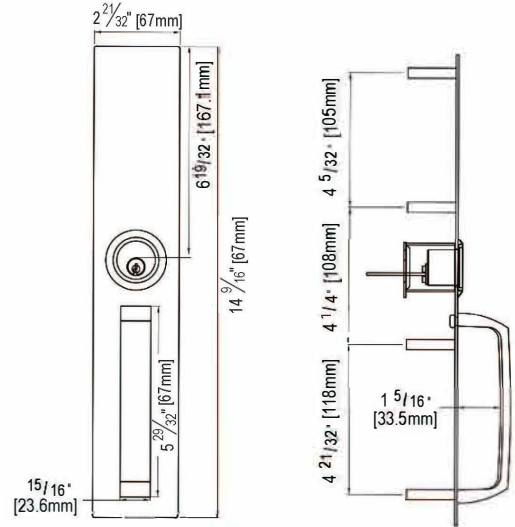
Storeroom



Dummy



Cover



Function

Trim Type	ANSI Code	Function
ED8900P1-01 ED8900P2-01	F-01 Cover	Exit only
ED8900P1-02 ED8900P2-02	F-02 Dummy	Pull when dogged
ED8900P1-09 ED8900P2-09	F-09 Storeroom	Night latch, key retracts latch bolt

How To Order

Trim Type	ED8900P1 ED8900P2	Example: <u>ED8900P1</u> - <u>09</u> - <u>R</u> - <u>ALUM</u> - <u>SC</u> 1. ED8900P1 2. Storeroom 3. Rim 4. ALUM 5. Schlage® C keyway
Function	01, 02, 09	
Exit Device Type	R: Rim, SVR, LBR, 3PT	
Finish	ALUM	
Cylinder	SC, SFIC, SLFIC, CLFIC	



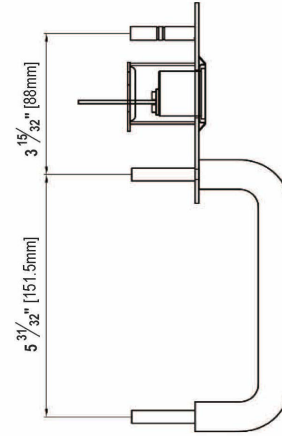
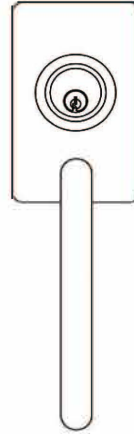
Pull Trim



Storeroom



Dummy



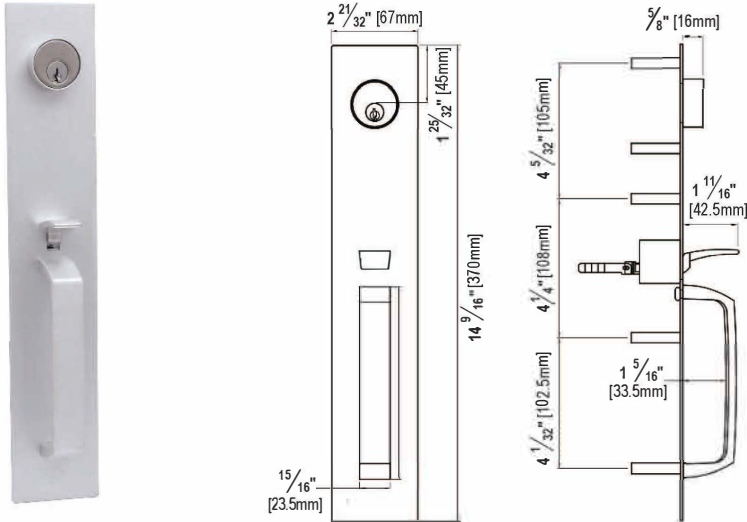
Function

Trim Type	ANSI Code	Function
ED8900P3-02	F-02 Dummy	Pull when dogged
ED8900P3-09	F-09 Storeroom	Night latch, key retracts latch bolt

How To Order

Trim Type	ED8900P3	Example: ED8900P3 - 09 - R - ALUM - SC 1. ED8900P3 2. Storeroom 3. Rim 4. ALUM 5. Schlage® C keyway
Function	02, 09	
Exit Device Type	R: Rim, SVR, LBR, 3PT	
Finish	ALUM	
Cylinder	SC, SFIC, SLFIC, CLFIC	

Thumbpiece Trim



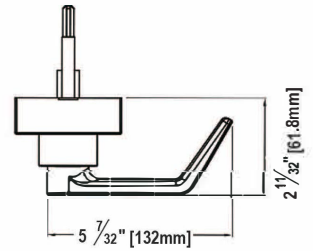
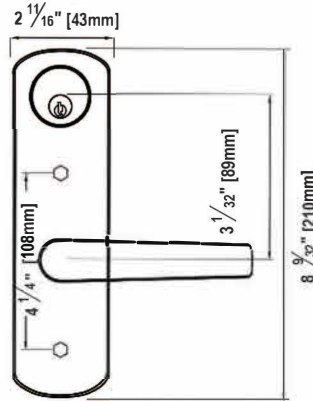
Function

Trim Type	ANSI Code	Function
ED8900T-02	F-02 Dummy	Pull when dogged
ED8900T-08	F-08 Entrance	Key locks or unlocks latch bolt
ED8900T-09	F-09 Storeroom	Night latch, key retracts latch bolt
ED8900T-14	F-14 Passage	Lever operable

How To Order

Trim Type	ED8900T	Example: ED8900T-08-R-630-SC 1. ED8900T 2. Entrance 3. Rim 4. US32D 5. Schlage® C keyway
Function	02, 08, 09, 14	
Exit Device Type	R: Rim, SVR, LBR, 3PT	
Finish	630	
Cylinder	SC, SFIC, SLFIC, CLFIC	

Narrow Style Trim



Function

Trim Type	ANSI Code	Function
ED8900NE-02	F-02 Dummy	Pull when dogged
ED8900NE-08	F-08 Entrance	Key locks or unlocks latch bolt
ED8900NE-09	F-09 Storeroom	Night latch, key retracts latch bolt
ED8900NE-14	F-14 Passage	Lever operable

How To Order

Trim Type	ED8900NE	Example: ED8900NE-08-R-630-SC 1. ED8900NE _____ 2. Entrance _____ 3. Rim _____ 4. US32D _____ 5. Schlage® C keyway _____
Function	02, 08, 09, 14	
Exit Device Type	R: Rim, SVR, LBR, 3PT M: Mortise C: CVR	
Finish	630	
Cylinder	SC, SFIC, SLFIC, CLFIC	



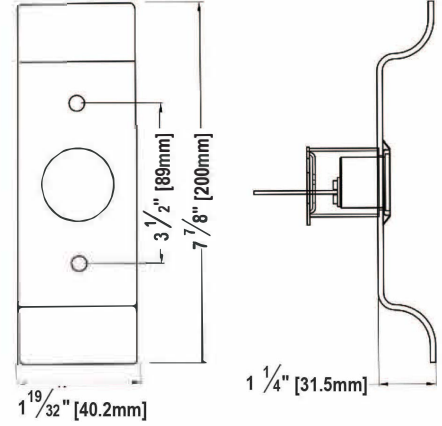
Storeroom



Dummy



Cover



AL Color Standard

Function

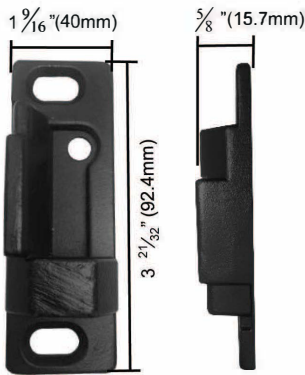
Trim Type	ANSI Code	Function
ED8900NP-01	F-01 Cover	Exit only
ED8900NP-02	F-02 Dummy	Pull when dogged
ED8900NP-09	F-09 Storeroom	Night latch, key retracts latch bolt

How To Order

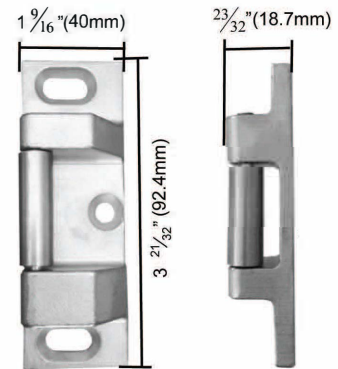
Trim Type	ED8900NP	<p>Example:</p> <p>ED8900NP-09-R-ALUM-SC</p> <p>1. ED8900NP _____</p> <p>2. Storeroom _____</p> <p>3. Rim _____</p> <p>4. ALUM _____</p> <p>5. Schlage® C keyway _____</p>
Function	01, 02, 09	
Exit Device Type	R: Rim, SVR, LBR, 3PT	
Finish	ALUM	
Cylinder	SC, SFIC, SLFIC, CLFIC	



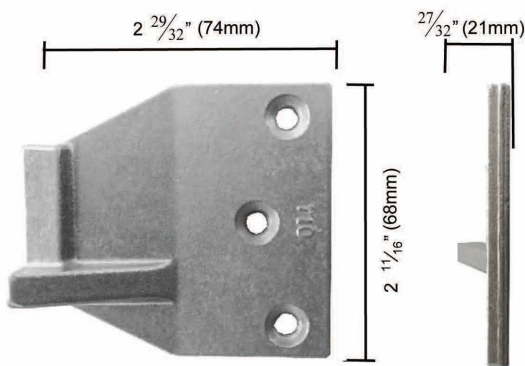
Rim Device



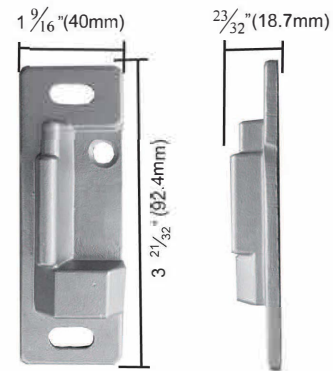
STK 600
(Standard for 8900 series)



STK 701
(Optional for 8900 series)



O-STK 710
(Optional for 3700, 8900, 9700 series)



STK 900
(Standard for 3700, 9700 series)

Shim Kit



750
For 600 Rim Strike



751
For 701 Rim Strike



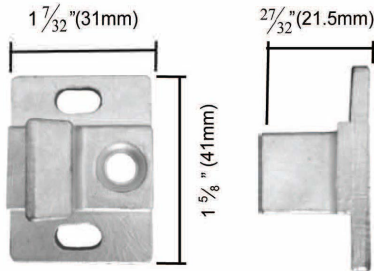
950
For 900 Rim Strike



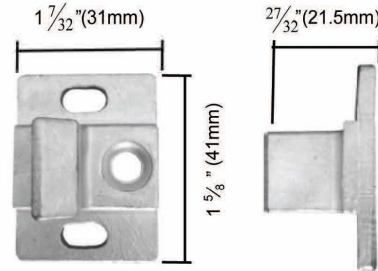
952
For 710 Rim Strike

Vertical Rod Device

Top Strike

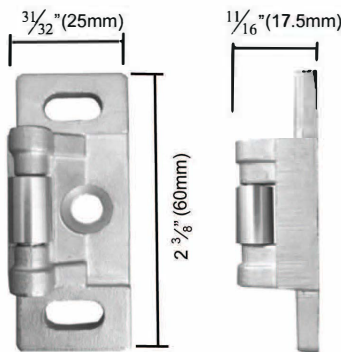


T-STK 720
(Standard for SVR, LBR & 3PT)

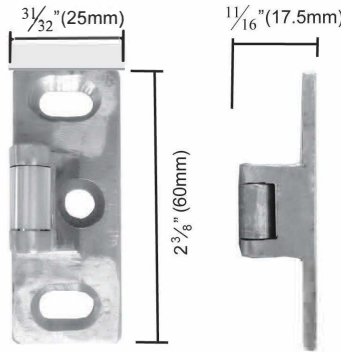


T-STK 720C
(Standard for CVR)

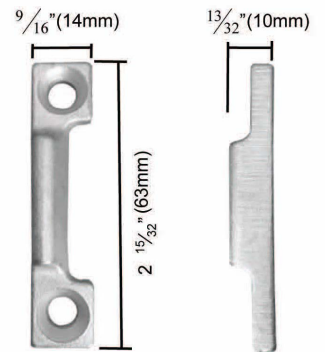
Bottom Strike



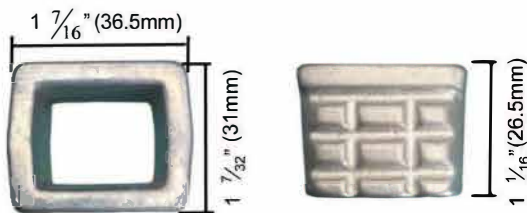
B-STK 730
(Standard for SVR & 3PT)



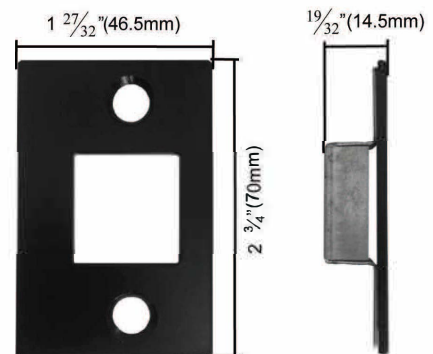
B-STK 730C
(Standard for CVR)



B-STK 731
(Optional for SVR & 3PT)



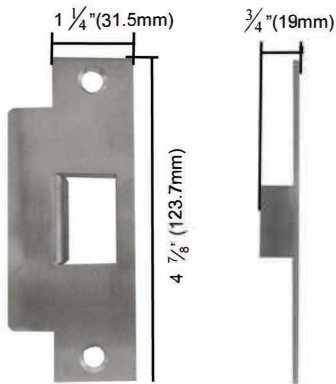
B-STK 732
Mortise in type
(Optional)



B-STK 733
Mortise in type
(Standard for CVR, Optional for others)

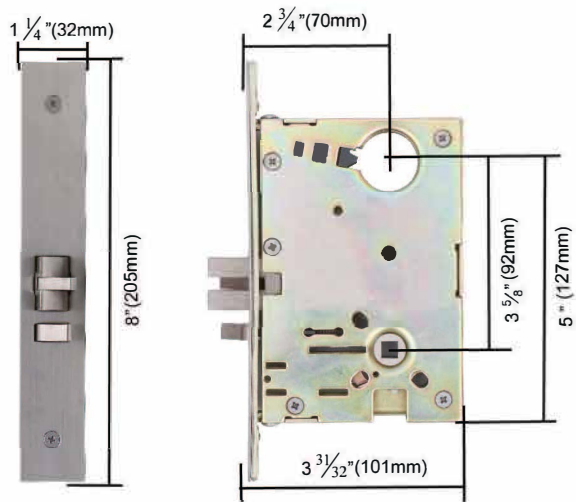


Mortise Device



STK 905
(Standard for Mortise devices)

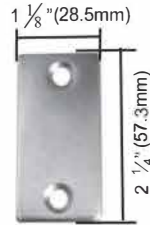
Mortise Lock



Filler Plate



FP-761



FP-760

Extension Rod

ETR-1

Length: 1' (305 mm)



ETR-1C

Length: 1' (305 mm)
(for CVR)



ETR-2

Length: 2' (610 mm)



ETR-2C

Length: 2' (610 mm)
(for CVR)



Sex Nuts and Bolts (SNB)



SNB-1

1 1/4" - 2" (32-50.8 mm)
door thickness



SNB-2

2" - 2 1/4" (50.8-57 mm)
door thickness

Cylinder Dogging Kit



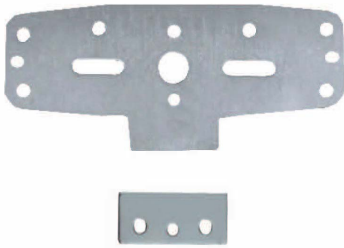
CD8 8900 series
CD9 9700 series
CD3 3700 series

Alarm Kit



AK8 8900 series
AK9 9700 series
AK3 3700 series

Glass Shim Kit



Thickness: 1/8" (3mm)
GSK-6R
(8900 series Rim devices only)



Thickness: 1/8" (3mm)
GSK-3R
(9700 series Rim devices only)



Thickness: 1/8" (3mm)
GSK-6V
(8900 series SVR, LBR & 3PT devices)



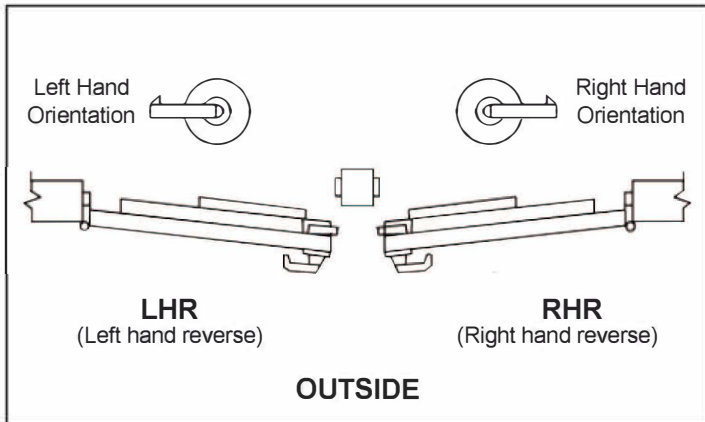
Thickness: 1/8" (3mm)
GSK-3V
(9700 series SVR, LBR & 3PT devices)

Dogging Key

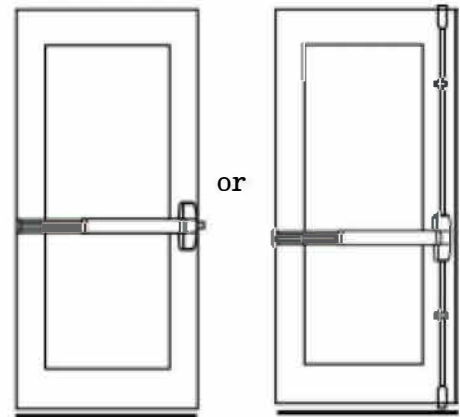


DK

Handing

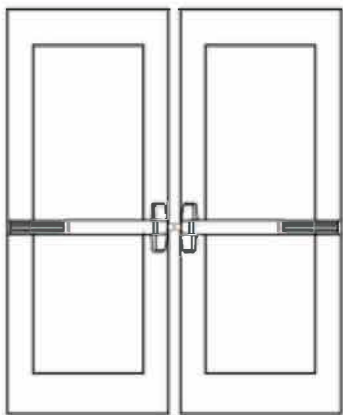


Single Door



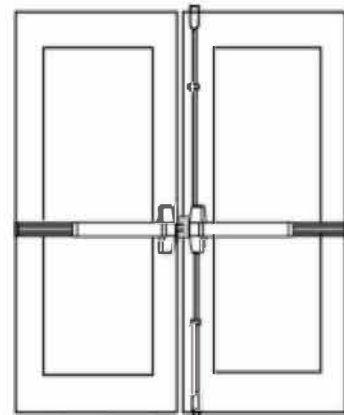
Rim type, Mortise type or vertical rod type

Pair of Doors With Mullion



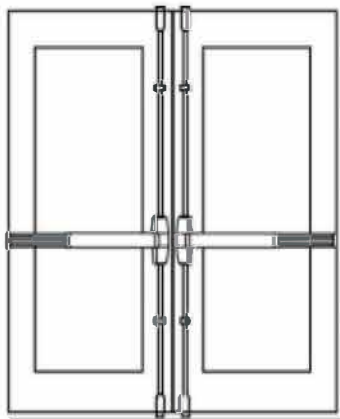
2 Rim type with mullion

Pair of Doors Without Mullion



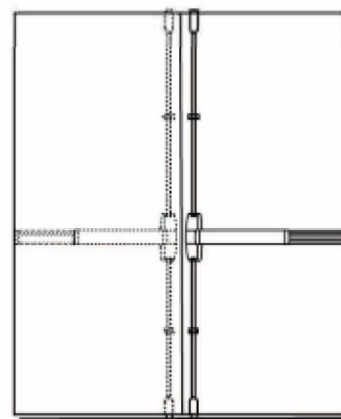
1 Rim type and 1 vertical rod type

Pair of Doors Without Mullion



2 Vertical rod type

Pair of Doors Without Mullion



2 Vertical rod type



TownSteel[®]
Architectural Hardware MFG

PRODUCT CATALOG

GENERAL HARDWARE

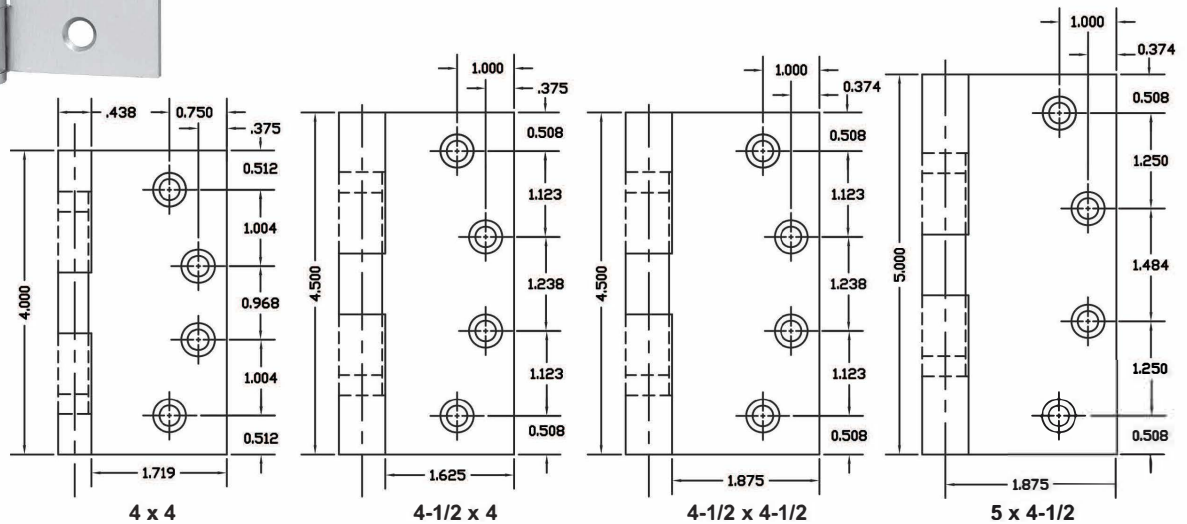


GENERAL HARDWARE

Subindex

- 1 **TH179 & THBB179** - Standard Weight Hinge
- 2 **THBB168** - Heavy Weight Hinge
- 3 **THCP179 & THCB179** - Standard Weight Plain or Concealed Bearing Hinge
- 4 **THSP179** - Standard Weight Spring Hinge
- 5 **MX 7001A** - Extra Heavy Duty Hinge with Wishear Resistant Stud
- 6 **MX 8001A** - Extra Heavy Duty Hinge
- 7 **XTHBB179 & XTHBB168** - Electrified Hinge
- 8 **TSP 8727F** - Pivot
- 9 **TFBA 291M** - Automatic Flushbolts for Metal Door
- 10 **TFBA 291W** - Automatic Flushbolts for Wood Door
- 11 **TFB197** - Manual Flushbolts for Metal Door
- 12 **TFB 297W** - Manual Flushbolts for Wood Door
- 13 **TDPS 280** - Dust Proof Strike
- 14 **TDV 3315 / TDV 3316** - Viewers
- 15 **TSH438** - Floor Stops with High Dome
- 16 **TSH446** - Floor Stops with Low Dome
- 17 **TSH406** - Convex Wall Stops
- 18 **TSH401** - Concave Wall Stops
- 19 **TH 502** - Roller Catches
- 20 **TDG 129** - Door Guard
- 21 **TCOR** - Door Coordinator
- 22 **TSPP** - Push and Pulls
- 23 **TS11** - High Security Cylinder

Standard Weight Hinge



FEATURES

- Full mortise, square corner, standard weight steel template hinge.
- Material Gauge - 0.130, 0.134, 0.146
- Plain Bearing or Ball Bearing
- Screw packages - All Machine Screws (AMS)
- All Wood Screws (AWS)
- Machine screws - Phillips(#3) Flat head
-12 x 24 x 1/2"
- Wood Screws - Phillips(#3) Flat head -12 x 1-1/4"

OPTIONS

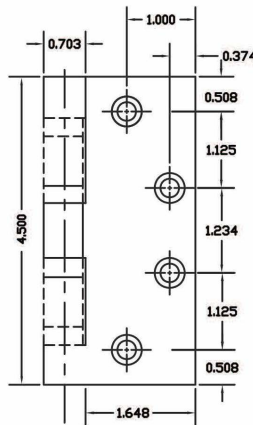
- **NRP** - Non-Removable pin with set screw.
- **THBB179BR** - Brass Base Metal.
- **THBB179SS** - Stainless Steel Base Metal. (32D).

SPECIFICATIONS

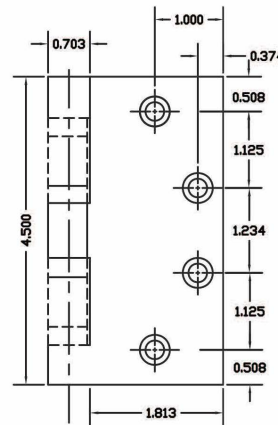
Hinges -Hinges shall be by **TownSteel** model number THBB179 (or TH179, THBB179BR or THBB179SS). Hinges to be provided in the type and size as recommended by the Manufacturer. All hinges to be 5 knuckle plain bearing or two ball bearings with non-rising pins as listed in hardware groupings and shall be provided with the width that will clear trim to allow for maximum degree of swing. Provide stainless steel and brass base material where listed in hardware groupings.

- Doors less than 60 inches high - Provide 2 hinges
- Doors 60 to 90 inches high - Provide 3 hinges
- Doors over 90 inches high - Provide 4 hinges

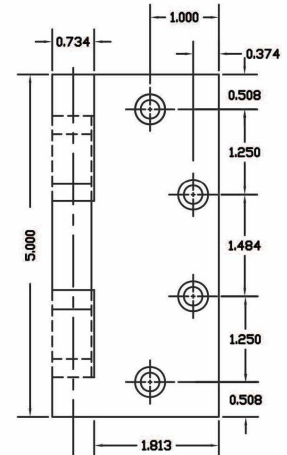
Heavy Weight Hinge



4-1/2 x 4



4-1/2 x 4-1/2



5 x 4-1/2

FEATURES

- Full mortise, square corner, heavy weight steel template hinge
- Material Gauge - 0.180, 0.190
- Stock Sizes 4-1/2" x 4, 4-1/2" x 4-1/2" and 5" x 4-1/2"
- Screw packages - All Machine Screws (AMS)
- All Wood Screws (AWS)
- Machine screws - Phillips(#3) Flat head
- 12 x 24 x 1/2"
- Wood Screws - Phillips(#3) Flat head -12 x 1-1/4"

SPECIFICATIONS

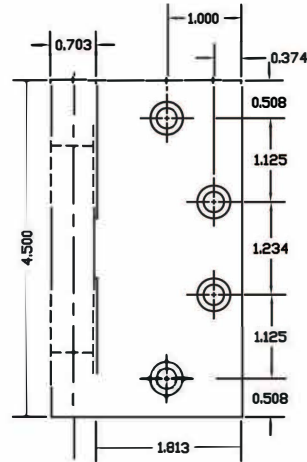
Hinges -Hinges shall be by **TownSteel** model number THBB168 (or THBB168BR or THBB168SS). Hinges to be provided in the type and size as recommended by the Manufacturer. All hinges to have be four ball bearings with non-rising pins and shall be ordered with the width available that will clear trim to allow for maximum degree of swing. Provide stainless steel and Hospital tips where listed in hardware groupings.

- Doors less than 60 inches high - Provide 2 hinges
- Doors 60 to 90 inches high - Provide 3 hinges
- Doors over 90 inches high - Provide 4 hinges

OPTIONS

- **NRP** - Non-Removable pin wiht set screw.
- **THBB168BR** - Brass Base Metal
- **THBB168SS** - Stainless Steel Base Metal. (32D)

Standard Weight Full Mortise Plain or Concealed Bearing Hinge



4-1/2" x 4-1/2"

FEATURES

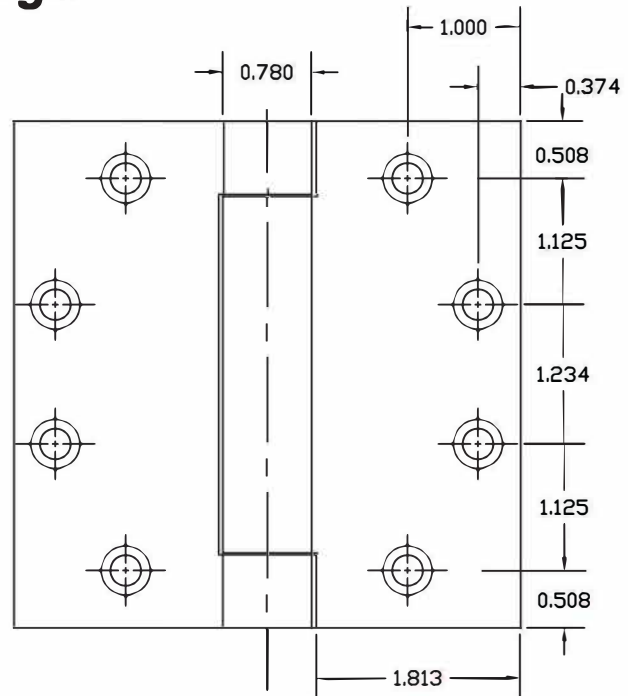
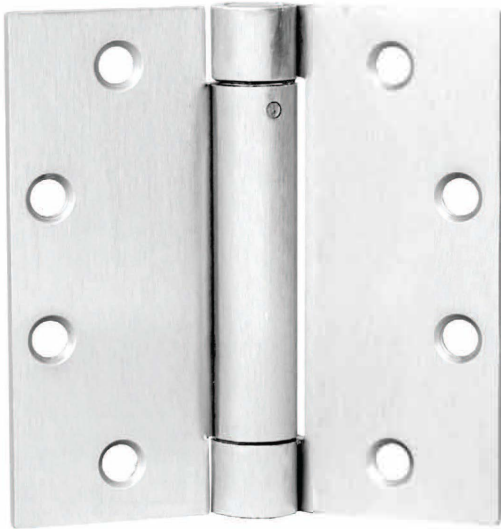
- Full mortise, square corner, standard weight steel template hinge.
- Material Gauge -.134
- Plain Bearing (THCP179) or Concealed Ball Bearing (THCB179)
- 3 Knuckles
- Screw packages - All Machine Screws (AMS)
 - All Wood Screws (AWS)
- Machine screws - Phillips(#3) Flat head
 - 12 x 24 x 1/2"
- Wood Screws - Phillips(#3) Flat head
 - 12 x 1-1/4"

SPECIFICATIONS

Hinges - Hinges shall be by **TownSteel** model number THCP179 or THCB179. Hinges to be provided in the type and size as recommended by the Manufacturer. All hinges to be 3 knuckles plain bearing or concealed ball bearings with non-rising pins as listed in hardware groupings and shall be provided with the width that will clear trim to allow for maximum degree of swing. Provide stainless steel and brass base material where listed in hardware groupings.

- Doors less than 60 inches high - Provide 2 hinges
- Doors 60 to 90 inches high - Provide 3 hinges
- Doors over 90 inches high - Provide 4 hinges

Commercial Weight Spring Hinge



4-1/2" x 4-1/2"

FEATURES

- Full mortise, square corner, spring hinge steel thinge.
- Material Gauge -.134
- Adjustable Spring Tension
- Screw packages - 1/2 Machine Screws (AMS)
- All Wood Screws (AWS)
- Machine screws - Phillips(#3) Flat head
- 12 x 24 x 1/2"
- Wood Screws - Phillips(#3) Flat head
- 12 x 24-1/4"

SPECIFICATIONS

Spring Hinges - Spring hinges shall be by **TownSteel** model number THSP179. Hinges to be provided in the type and size as recommended by the manufacturer. All hinges to be with adjustable spring tension with nonremovable pins as listed in hardware groupings and shall be provided with the width that will clear trim to allow for maximum degree of swing.

- For Doors up to 3' 7" x 1 3/4" thickness:
To 70 Lb 1EA THSP179 & 2EA THBB179
120Lb 2EA THSP179 & 1EA THBB179
160Lb 3EA THSP179

CODE COMPLIANCE



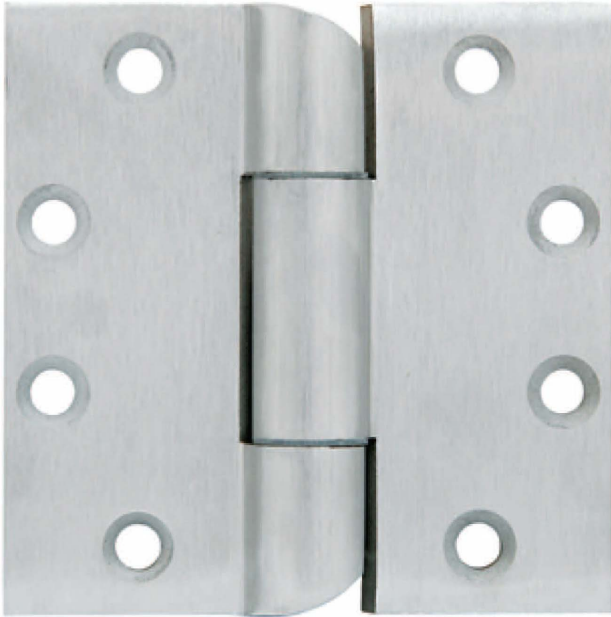
Extra Heavy Duty Hinges Wishear Resistant Stud**MX 7001A****FEATURES**

- Suitable for hospitals or detention centers
- Curved hospital tips
- Three knuckles, concealed bearing
- Heavy gauge (5mm thick) stainless steel, type 304
- Shear resistant studs
- Available finish: Satin Stainless Steel (US32D/630)

SPECIFICATIONS

- 4-1/2" x 4-1/2" full mortise
- Three knuckles, concealed bearing
- Hospital tips
- Heavy gauge (5mm thick) stainless steel, type 304
- Furnished with wood and machine screws
- Shear resistant studs

Extra Heavy Duty Hinge



MX 8001A

FEATURES

- Suitable for hospitals or detention centers
- Curved hospital tips
- Three knuckles, concealed bearing
- Heavy gauge (5mm thick) stainless steel, type 304
- Available finish: Satin Stainless Steel (US32D/630)

SPECIFICATIONS

- 4-1/2" x 4-1/2" full mortise
- Three knuckles, concealed bearing
- Hospital tips
- Heavy gauge (5mm thick) stainless steel, type 304
- Furnished with wood and machine screws

Electrified Hinge

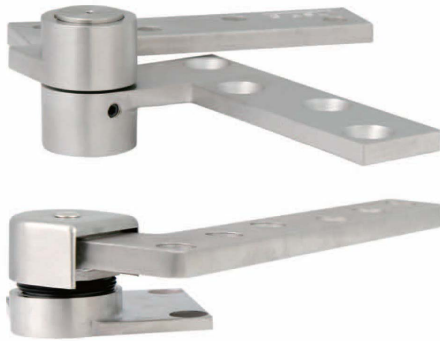


FEATURES

- Electric power transfer from frame to door
- Material Gauge - 0.134, 0.180 or 0.190
- 4.5" x 4.5" Standard weight hinge
- 4 wire 12" cable - 1 pair 1 amp rated, 1 pair 250 mA rated
- Vandal resistant concealed wires
- Provides: Door and lock status
 - Request to exit signaling
- Operates: Electrified Mortise
 - Electrified Cylinders
 - Electrified Cylinders locks
 - Electrified Strikes
 - Exit Devices

SPECIFICATIONS

Electrified hinge by **TownSteel** provides concealed wires between the door and frame for the purpose of powering and monitoring electronic door hardware. Made from high strength steel the hinges are available in: Bright Chrome, Dull Chrome, Bright Brass and Oil Rubbed Bronze.



Offset Pivot, Top and Bottom



INT Intermediate Pivot

FEATURES

TSP 8727F

- 3/4" Offset Pivot, Top and Bottom

- Non-handed
- Top, header mount
- Bottom, base plate mount
- Use with 1-3/4" minimum door thickness, with 1/8" bevel in 2"
- Maximum door load 700 pounds
- Vertical adjustment range 3/16", with positive locking

TSP 8727F -INT

- INT Intermediate Pivot

- Use with TSP 8727F offset pivot
- Handed
- Vertical adjustment 3/16", includes positive locking

SPECIFICATIONS

- Complete line of 3/4" offset, bottom, top and intermediate with exposed parts made of stainless steel for maximum corrosion resistance
- Investment casting stainless steel for rated and non-rated doors
- Precision bearings for smooth operation
- Stainless steel machine and wood screws standard
- UL 10C 3 hours rated on single doors up to 4' x10' or pair doors up to 8' x10'
- ANSI/BHMA A156.4 Certified



AUTOMATIC FLUSHBOLTS FOR METAL DOORS W/ AUXILARY FIRE LATCH



TFBA291M

FEATURES

- Fully Automatic, Non-Handed.
- Automatic 3/4" Throw with 1" Vertical Adjustment.
- 12" Rod to Fit Standard ANSI Preparation.
- Spring Override in Case of Misalignment.
- Steel Body and Stainless Steel Components.
- Bolt Housing Screws #8 x 32 x 3/8" MS (2ea)
#8 x 3/4" AB (2ea)
- Strike Screws #8 x 3/4" AB (2ea)
- Bolt Guide Screws #8 x 3/4" AB (2ea)
- Frame & Still Strike Screws #8 x 3/4" AB (2ea)
- List up to 3 hours on Hollow Metal and Steel-Covered Composite Doors up to 8 feet.

SPECIFICATIONS

Automatic Flushbolt for Metal Doors -

Automatic flushbolts for metal doors shall be by **TownSteel** model number TFBA 291M series, and body shall be made of steel and stainless steel components. Flushbolts shall be automatically retracting when active door is opened and project into the frame header or floor when the door is closed. Bolts shall project 3/4" from the top or bottom edge of door with 1" adjustment.

CODE COMPLIANCE



TFL001

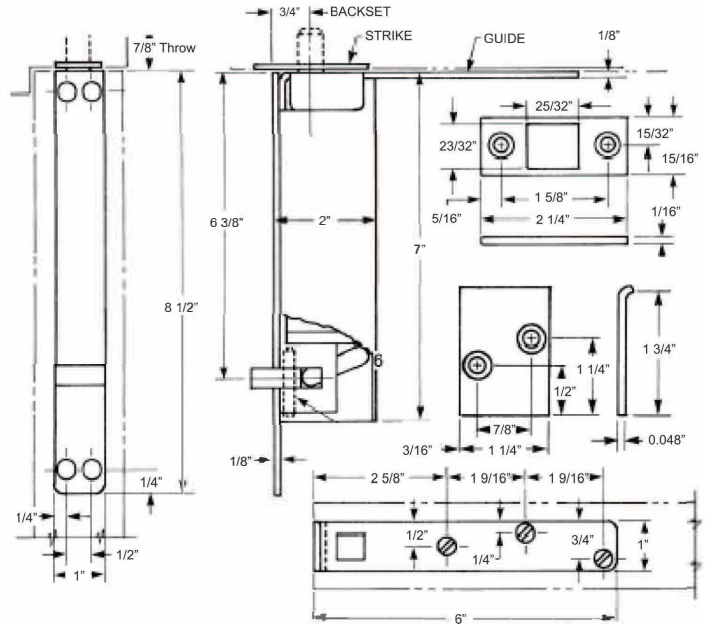
Auxiliary Fire Latch - This fire latch is a temperature-actuated bolt that automatically extends from inactive doors into the active door when the temperature exceed the rating of the fusible link. It is installed in bottom door edge inside to replace the bottom flush bolt.

This auxiliary latch also can use with the Less Bottom Rod Fire Exit Device.

AUTOMATIC FLUSHBOLTS FOR WOOD DOORS



TFBA 291W



FEATURES

- Fully Automatic, Non-Handed.
- Automatic 3/4" Throw and 3/4" Vertical Adjustment.
- Spring Override in Case of Misalignment.
- Steel Body and Stainless Steel Components.
- Bolt Housing Screws #8 x 3/4" SM (2 ea)
#8-32 X 1/4" MS (2 ea)
- Strike Screws #8 x 3/4" SM (2 ea)
- Bolt Guide Screws #10 x 7/8" SM (3 ea)
- Rub Plate Screws #8 x 3/4" SM (2 ea)
- Listed up to 1-1/2 hours on Composite Wood Doors up to 8 Feet.

SPECIFICATIONS

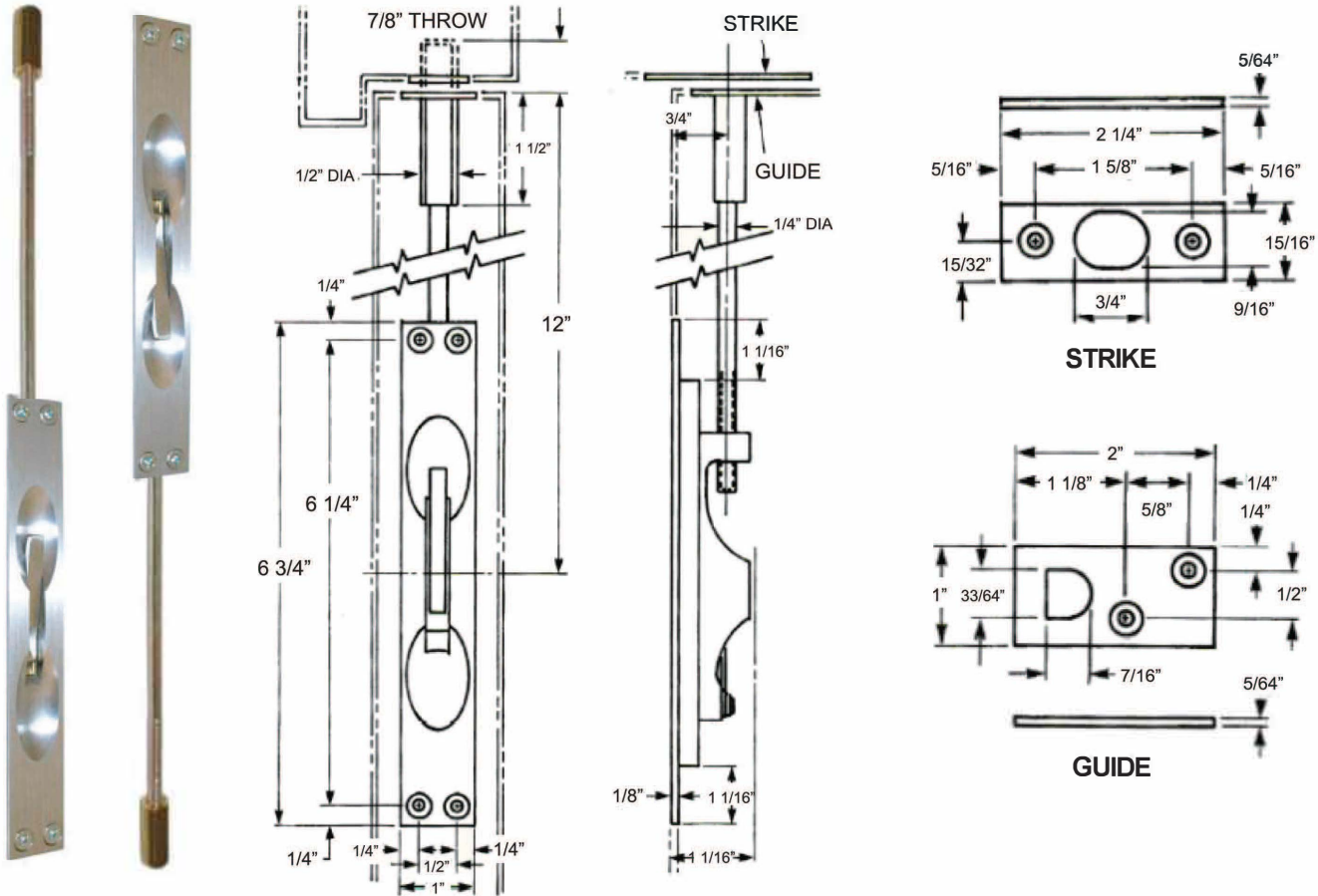
Automatic Flush Bolt for Wood Doors -

Automatic flushbolts from composite wood doors shall be by **TownSteel** model number TFBA 291W series and body shall be made of steel and stainless steel components. Flushbolts shall be automatically retracting when active door is opened and projected into the frame header or floor when the door is closed. Bolts shall project 3/4" from the top or bottom edge of the door with 3/4" adjustment.

CODE COMPLIANCE



MANUAL FLUSHBOLTS



FEATURES

- **TFB 197SB** - Forged Brass.
- **TFB 197AL** - Extruded Aluminum.
- Non-Handed.
- 7/8" Throw with 7/8" Vertical Adjustment.
- 12" Rod to Fit Standard ANSI Preparation.
- Spring Loaded Lever to Project or Retract Bolt.
- Bolt Housing Screws #8 x 3/4" (4 ea)
- Strike Screws #8 x 3/4" (2 ea)
- Bolt Guide Screws #8 x 3/4" (2 ea)
- Listed up to 3 hours on Hollow Metal and Steel Covered Composite Doors up to 8 feet.

SPECIFICATIONS

Manual Flush Bolt - Manual Flush bolts shall be by **TownSteel** model number TFB 197SB series made from forged brass or TFB 197AL series made from extruded aluminum. Flush bolts shall be provided with 1/2" diameter brass bolts and project 7/8" from the top or bottom edge of door with 7/8" vertical adjustment. Flush bolts shall have a spring loaded lever to project or retract the bolts.

CODE COMPLIANCE



MANUAL FLUSHBOLTS FOR WOODEN DOORS**FEATURES**

- Non-Handed
- 5/8" Throw with 7/8" Vertical Adjustment
- Solid metal heavy duty construction
- UL listed for 3 hours on wood fire doors up to 8 feet high
- Strike Screws #8 x 3/4" Combo screws (2ea)
- Bolt Screws #8 x 3/4" Combo screws (5 ea)
- Strike Plate

SPECIFICATIONS

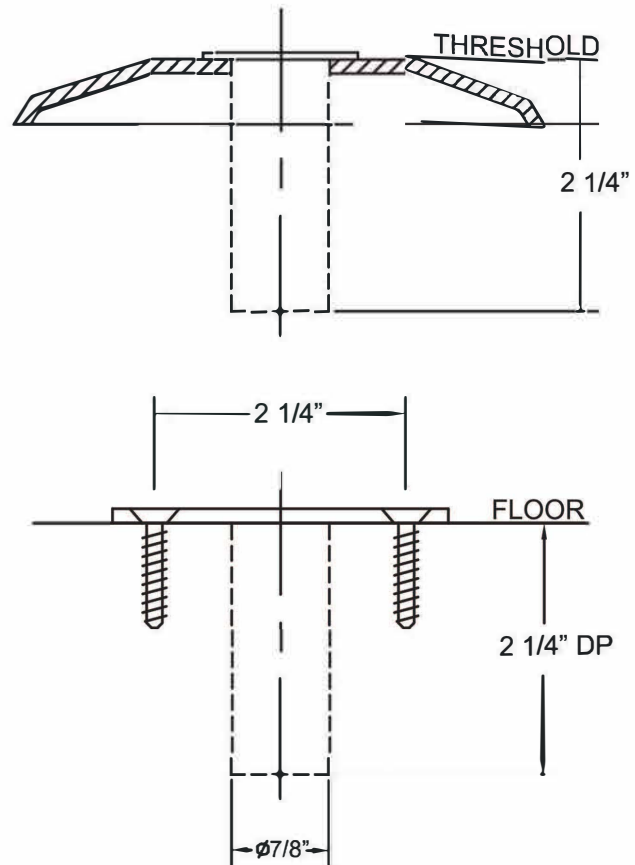
Manual Flush Bolt for Wood Doors - Manual Flushbolts for wooden doors shall be by **TownSteel** model number TFB 297W series. Flush bolts shall be provided with 1/2" diameter brass bolts and project 5/8" from the top or bottom edge of door with 7/8" vertical adjustment. Flush bolts shall have a spring loaded lever to project or retract the bolts.

CODE COMPLIANCE

DUST PROOF STRIKE



TDPS 280
Dust Proof Strike



FEATURES

- Spring Loaded 3/4" Plunger.
- Both Floor and Threshold Installation.
- Face Plate 3" x 1-1/2"
- Body Diameter 15/16"
- Overall Depth 2-1/4"
- Strike Screws #8 x 1"
- Plastic Anchors

SPECIFICATIONS

Dust Proof Strike - Dust Proof Strike shall be by **TownSteel** model number TDPS 280 series and made from brass. All dust proof strikes shall be provided with 3/4" diameter spring loaded plunger that returns to the floor level when the flush bolt is retracted.

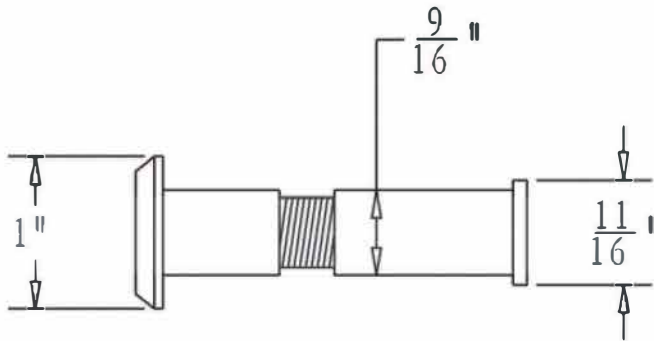
VIEWERS



TDV 3315



TDV 3316



FEATURES

- TDV 3315 - 200 Degree Viewing Area.
 - For 1 3/4" Door thickness.
 - Polished Glass Lens.
- TDV 3316 - 200 Degree Viewing Area.
 - For 1 3/8" Door thickness.
 - Polished Glass Lens.
- All Viewers Solid Cast Brass.

SPECIFICATIONS

Viewers - Viewers shall be by **TownSteel** model number TDV 3315 and TDV 3316 are made from solid cast brass with highly polished optical lenses for extra wide viewing angle. All viewers for installation in wood or metal doors. Each viewer to be individually packed.

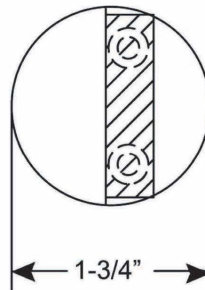
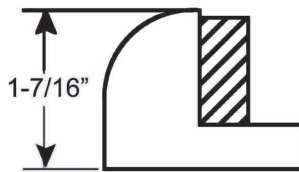
CODE COMPLIANCE



FLOOR STOPS



TSH438 (High Dome Stop)

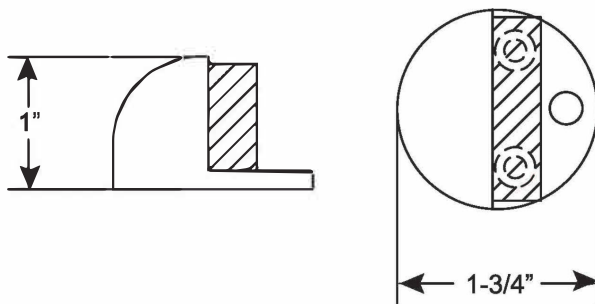


FEATURES

- **TSH438** - 1/2" Rise × 1-1/2" High Dome Stop.
- All Floor Stops are Zinc Di-cast.
- Stops Individually Wrapped with Mounting Screws.
- Polybagged with:
- 2 screws & plastic screw anchors

SPECIFICATIONS

Stops and Holders - Stops and holders shall be by **TownSteel** model number TSH436 or TSH438 and made from Zinc Di-cast Each Stop shall be individually wrapped with mounting screws.

LOW DOME FLOOR STOPS**FEATURES**

- **TSH446** - 5/32" Rise × 1 Low Dome Stop.
- Zinc Di-cast base.
- Individually Wrapped with Mounting Screws.
- Polybaged with:
 - 1 Plastic Anchor
 - 1 Sheet Metal Screw
 - 1 Lead Anchor
- Available Finishe: US26D. For other finishes please contact manufacturer for lead time

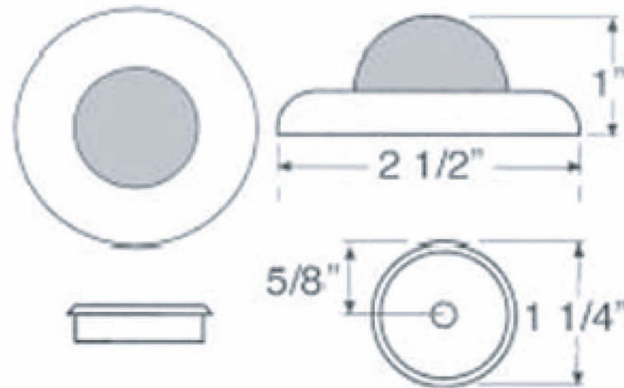
SPECIFICATIONS

Stops - Stops shall be by **TownSteel** model number TSH446 and made from Zinc Di-cast. Each stop shall be individually wrapped with mounting screws.

WALL STOPS



TSH406
Convex Wall Stop



FEATURES

- **TSH406** - Convex Wall Stop.
- All Wall Stops Bases are Wrough Steel.
- Stops Individually Wrapped with Mounting Screws.
- Polybaged with:
 - 1 Plastic Anchor
 - 1 Sheet Metal Screw

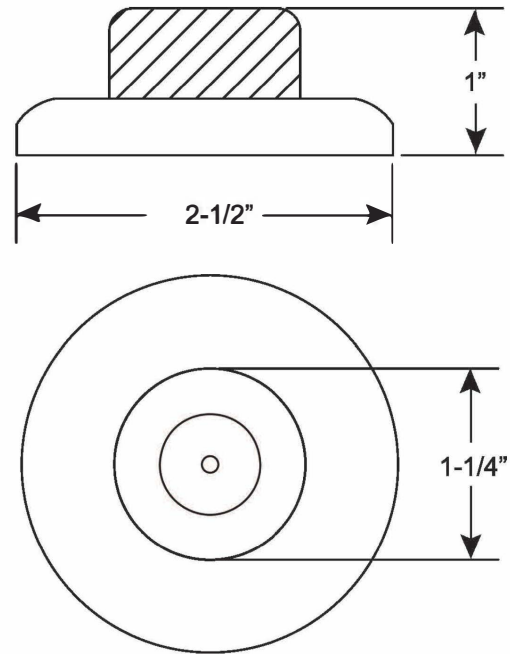
SPECIFICATIONS

Stops - Stop shall be by **TownSteel** model number TSH406 and made of wrought steel. All stops to be provided with steel Phillips sheet metal screws to match finish. Each Stop shall be individually wrapped with mounting screws.

WALL STOPS



TSH401
Concave Wall Stop



FEATURES

- TSH401 - Concave Wall Stop.
- All Wall Stops Bases are Steel with a decorative cover.
- Stops Individually Wrapped with Mounting Screws.
- Polybaged with:
 - 1 Plastic Anchor
 - 1#10×1 1/2" Sheet Metal Screw

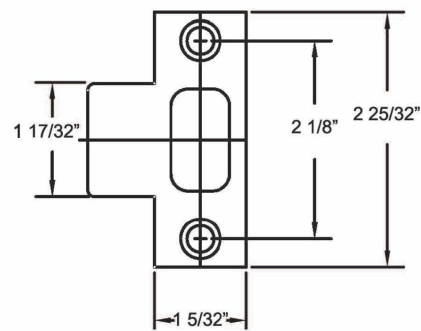
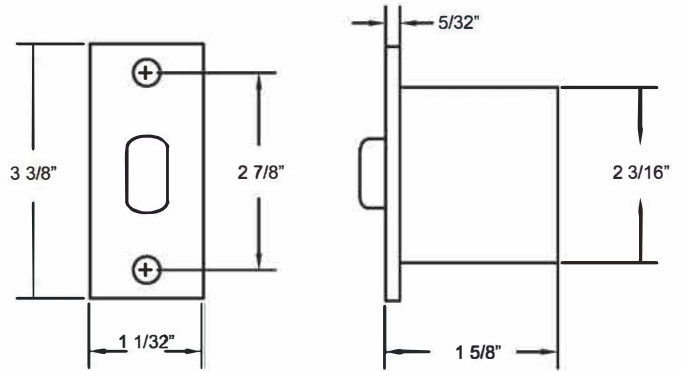
SPECIFICATIONS

Stops - Stop shall be by **TownSteel** model number TSH401 and made of steel. All stops to be provided with Phillips sheet metal screws . Each Stop shall be individually wrapped with the mounting screws.

HEAVY DUTY ROLLER CATCHES



TSH 502
Heavy Duty Roller Catch



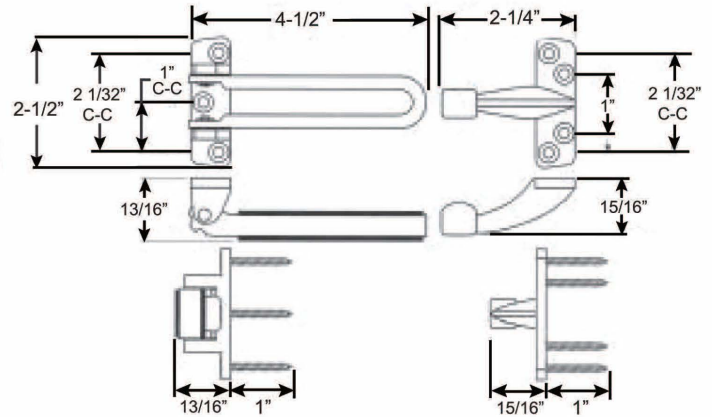
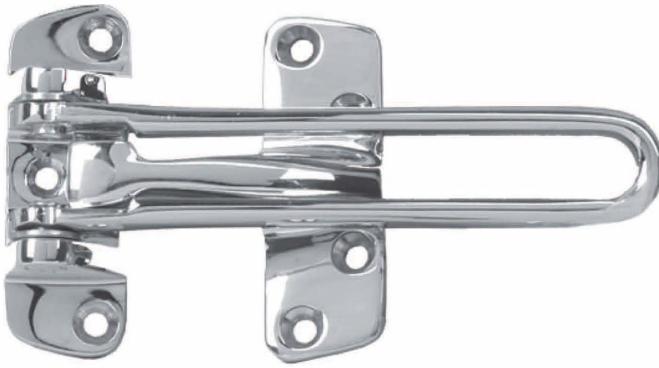
FEATURES

- Adjustable Spring Tension.
- Roller Catch Individually wrapped with Mounting Screws.

SPECIFICATIONS

Heavy Duty Roller Catches - Roller catches shall be by **TownSteel** model number TSH 502 and shall be made of solid brass. The roller catch provided with high tension steel compression springs to provide solid engagement with strike. The roller catch provided with #8 sheet metal screws, plated to match finish for proper roller and strike mounting.

DOOR GUARD



FEATURES

- Positive Projection Lock Ball Not Allowing Forced Entry.
- Swing Bar Folds Out of Place When Not Used.
- Maximum 4" Door Opening When Engaged.
- Cannot be disengaged unless door is Fully Closed.

- Door Angle Protector with screw.
(come with standard package)



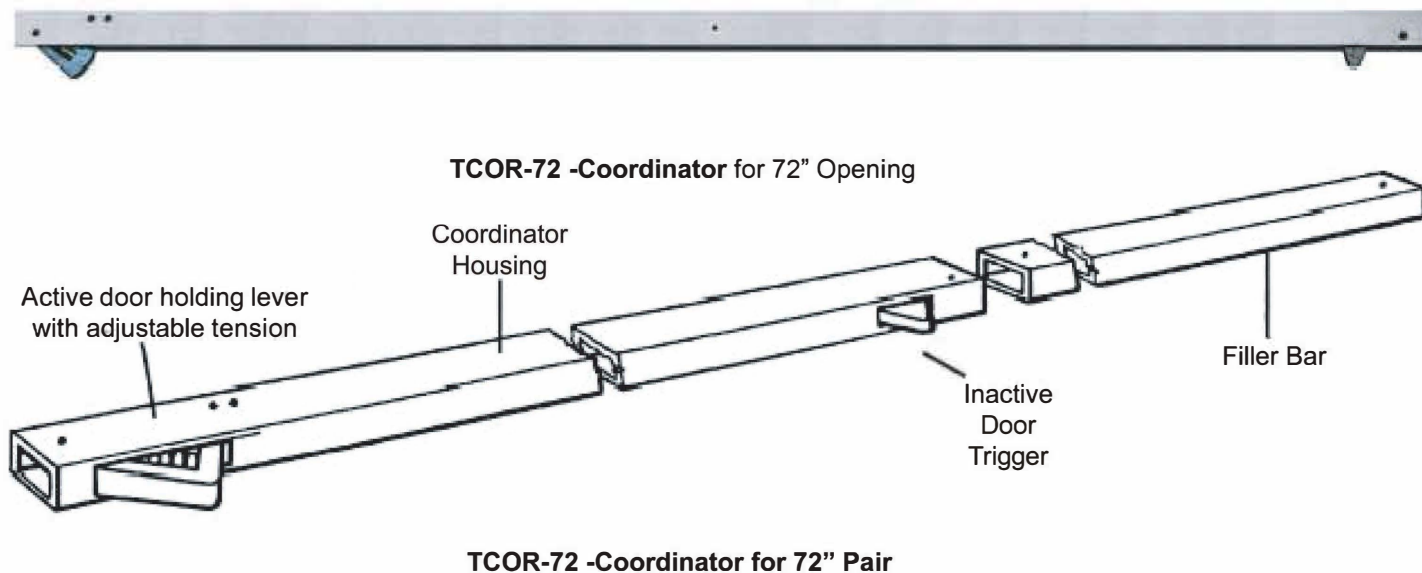
- Door Guard Shim.
(come with standard package)



SPECIFICATIONS

Door Guard - Door Guard shall be by **TownSteel** model number Door guard to be provided with projected lock ball and flip swing bar not allowing forced entry when engaged. Swing bar shall fold out of place when not in use. Door guard shall be installed to allow maximum 4 inch door opening when engaged and will not disengage until door is fully closed. Each door guard to be individually polybagged with steel screws plated to match finish.

COORDINATOR AND ACCESSORIES



FEATURES

- Extruded Aluminum Housing
- Adjustable Tension Override Spring.
- Filler Bar provided allowing an even, unbroken line the full width of the opening.
- Mounting Screws #12 -24 x 1-1/4" MS.
- For use on Fire Rated Openings.

OPTIONS

TownSteel #	Length of Coordinator	Door Openings Widths
TCOR 42	42"	44-53"
TCOR 52	52"	54-96"
TCOR 60	60"	97-112"

- TFCOR-18 - 18" Filler Bar
- TFCOR-32 - 32" Filler Bar
- TFCOR-42 - 42" Filler Bar

SPECIFICATIONS

Coordinator - Coordinator shall be by **TownSteel** model number TCOR flat bar type and made from extruded Aluminum. Coordinator shall control the closing sequence so the active door is held open until the inactive door closes, triggering the release of the active door allowing for proper latching. Optional TFCOR-18, 32 or 42 filler bar shall be provided allowing an even, unbroken line the full width of the opening.

CODE COMPLIANCE



PUSH AND PULLS



FEATURES

- All Plate Goods are 16 Gauge (.050) Thick.
- Stainless Steel or Brass Base Metal.
- Plates individually Wrapped with Mounting Screws.
- Pull Plates and Handles have Mounting Screws for 1-3/4" Thick Door.
- All Plates Packed with Stainless Steel Sheet Metal Screws Plated to Match Finish.

SPECIFICATIONS

Plate goods - Plate goods shall be by **TownSteel** model number TSPP and made from plate brass or stainless steel. All plates to be a minimum of 16 gauge (.050) and beveled on four sides. All Plates to be provided with stainless steel Phillips sheet metal screws plated to match finish. Each plate shall be individually wrapped with mounting screws.

OPTIONS

- TSPP3515 - 3-1/2" x 15", Push Plate.
- TSPP4016 - 4" x 16", Push Plate.
- TSPP3515R - 3-1/2" x 15" Plate with Round Pulls.
- TSPP4016R - 4" x 16" Plate with Round Pulls.
 - R - Round Pull 6-3/4" Overall, 6" C to C and 2-1/8" Projection.

Standard Rim and Mortise Cylinders

Standard Rim and Mortise Cylinders

- 9810 Mortise/Rim Combo, 1-1/8", 6 pin, 0 bitted
- 9830 Mortise, 1-3/8" 6 pin, 0 bitted
- 9840 Mortise, 1-1/2" 6 pin, 0 bitted
- 9860 Mortise, 1-3/4" 6 pin, 0 bitted

Available Finish

- 622: US19, Flat Black
- 626: US26D, Satin Chrome
- Special Finishes Upon Request



High Security SFIC Core and Housing

Small Format IC (SFIC) Housing

- 7820: 1-3/8" SFIC Rim, for 6 or 7 pin core
- 7821: 1-3/8" for 6 or 7 pin core
- 7831: 1-1/2" for 6 or 7 pin core
- 7841: 1-5/8" for 6 or 7 pin core
- 7851: 1-3/4" for 6 or 7 pin core

Small Format IC (SFIC) Core

- 7860: SFIC Core, 6 pin, 0 bitted, US26D
- 7870: SFIC Core, 7 pin, 0 bitted, US26D

Available Finish

- 622: US19, Flat Black
- 626: US26D, Satin Chrome
- Special Finishes Upon Request



High Security Key-In-Knob/Lever (KIKIKIL) Cylinders

- 8860: KIK Cylinder, 6 pin, 0 Bitted, Universal
- 8890: KIK Cylinder, 6 pin, 0 Bitted

Available Finish

- 622: US19, Flat Black
- 626: US26D, Satin Chrome
- Special Finishes Upon Request



TS11 High Security Cylinder

GENERAL HARDWARE

Townsteel Series	ANSI Function	Cylinder Type	Paragraph										
			6.3.1	6.3.2	6.3.3	6.4.5	6.5.1	6.5.2	6.5.3	6.6.1	6.6.2	6.6.3	6.6.4
TS11 9810-FIN*	E09211A	Mortise Cylinder, 1-1/8" 6 pin	Y	Y	Y	Y	Y	Y	Y	Y	Y	Y	Y
TS11 9830-FIN*	E09211A	Mortise Cylinder, 1-3/8" 6 pin	Y	Y	Y	Y	Y	Y	Y	Y	Y	Y	Y
TS11 9840-FIN*	E09211A	Mortise Cylinder, 1-1/2" 6 pin	Y	Y	Y	Y	Y	Y	Y	Y	Y	Y	Y
TS11 9860-FIN*	E09211A	Mortise Cylinder, 1-3/4" 6 pin	Y	Y	Y	Y	Y	Y	Y	Y	Y	Y	Y
TS11 9810-FIN*	E09221A	Rim Cylinder, 6 pin	Y	Y	Y	Y	Y	Y	Y	Y	Y	Y	Y
TS11 9910-FIN*	E09211A	Mortise Cylinder, 1-1/8", 6 pin, UL 437	Y	Y	Y	Y	Y	Y	Y	Y	Y	Y	Y
TS11 9920-FIN*	E09211A	Mortise Cylinder, 1-1/4", 6 pin, UL 437	Y	Y	Y	Y	Y	Y	Y	Y	Y	Y	Y
TS11 9930-FIN*	E09211A	Mortise Cylinder, 1-3/8", 6 pin, UL 437	Y	Y	Y	Y	Y	Y	Y	Y	Y	Y	Y
TS11 9910-FIN*	E09221A	Rim Cylinder, 6 pin, UL 437	Y	Y	Y	Y	Y	Y	Y	Y	Y	Y	Y
TS11 8860-FIN*	E09231A	KIK Cylinder, 6 pin, Universal	Y	Y	Y	Y	Y	Y	Y	Y	N	N	Y
TS11 8960-FIN*	E09231A	KIK Cylinder, 6 pin, Universal, UL437	Y	Y	Y	Y	Y	Y	Y	Y	N	N	Y
TS11 7860	E09241A	SFIC Core, 6 pin, US26D	Y	Y	Y	Y	Y	Y	Y	Y	N	N	Y
TS11 7870	E09241A	SFIC Core, 7 pin, US26D	Y	Y	Y	Y	Y	Y	Y	Y	N	N	Y
TS11 7820-FIN*	E09251	SFIC Rim Housing, 1-3/8" for 6 or 7 pin core	N	N	N	N	N	N	N	N	Y	Y	N
TS11 7821-FIN*	E09251	SFIC Housing, 1-3/8" for 6 or 7 pin core	N	N	N	N	N	N	N	N	Y	Y	N
TS11 7831-FIN*	E09251	SFIC Housing, 1-1/2" for 6 or 7 pin core	N	N	N	N	N	N	N	N	Y	Y	N
TS11 7841-FIN*	E09251	SFIC Housing, 1-3/4" for 6 or 7 pin core	N	N	N	N	N	N	N	N	Y	Y	N

* : FIN Stands for Finish.



TownSteel[®]
Architectural Hardware MFG

PRODUCT CATALOG

WARRANTY AND LEED INFORMATION

J

TOWNSTEEL WARRANTY

TownSteel warrants that all its products are free from defects in workmanship and material under normal use and service from the date of purchase for the original end user of the product:

Grade 1 Mechanical Product: Locks, Door Closers, Exit Devices	10 Year Warranty
Grade 2 Mechanical Product: Locks, Door Closers, Exit Devices	5 Year Warranty
Other Hardware	5 Year Warranty
Electrical / Electronic Product	2 Year Warranty

TownSteel will, at its option, repair or replace defective products, provided said products are returned to TownSteel Inc., 17901 Railroad St, City of Industry, CA 91748, freight prepaid, accompanied by the RMA documents.

We are not responsible for defects or damage which occur from improper installation, maintenance and storage, shipping and handling, ordinary wear and tear, damage from corrosives, misuse, abuse, accident, unauthorized service, work done by others, consequential damages, or use of TownSteel products with unauthorized non-TownSteel parts. This provision does not cover the labor cost, shipping and freight expenses required to return the product to TownSteel.

This warranty is in lieu of all other express warranties. To the extent permitted by law, all implied warranties are limited to the duration of this warranty. TownSteel shall not be liable for any incidental or consequential damages. No agent, sales representative or dealer has the authority to increase or alter the obligations of this warranty.

Some states do not allow limitations on how long an implied warranty lasts or the exclusion or limitation of incidental or consequential damages, so the above limitations or exclusions may not apply to you. This warranty gives you special legal rights, and you may also have other rights which vary from state to state.

For warranty service contact: TownSteel Inc.
Toll Free: 1-877-858-0888
E-mail: support@townsteel.com



The Leadership In Energy and Environmental Design

U.S. GREEN BUILDING COUNCIL LEED GREEN BUILDING RATING STATEMENT

“The Leadership in Energy and Environmental Design (LEED) Green Building System™ is the nationally accepted benchmark for the design, construction, and operation of high performance green buildings. LEED promotes a whole-building approach to sustainability by recognizing performance in five key areas of human and environmental health: sustainable site development, water savings, energy efficiency, materials selection, and indoor environmental quality”

Material and Resources-Recycled Content:

MR Credit 4.1: Recycled Content: 10% (post-consumer + 1/2 pre-consumer)
1 Point

Requirements: Use materials with recycled content such that the sum of post-consumer recycled content plus one-half of the pre-consumer content constitutes at least 10% (based on cost) of the total value of the materials in the project.

The recycled content value of a material assembly shall be determined by weight. The recycled fraction of the assembly is then multiplied by the cost of assembly to determine the recycled content value.

Recycled content shall be defined in accordance with the International Organization of Standards document, *ISO 14021—Environmental labels and declarations—Self-declared environmental claims (Type II environmental labeling)*.

Post-consumer material is defined as waste material generated by households or by commercial, industrial and institutional facilities in their role as end-users of the product, which can no longer be used for its intended purpose.

Pre-consumer material is defined as material diverted from the waste stream during the manufacturing process. Excluded is reutilization of materials such as rework, regrind or scrap generated in a process and capable of being reclaimed within the same process that generated it.

MR Credit 4.2: Recycled Content: 20% (post-consumer + 1/2 pre-consumer)
1 Point in addition to MR Credit 4.1



The Leadership In Energy and Environmental Design

Requirements: Use materials with recycled content such that the sum of post-consumer recycled content plus one-half of the pre-consumer content constitutes an additional 10% beyond MR Credit 4.1 (total of 20%, based on cost) of the total value of the materials in the project.

Statement-Recycled Content:

After reviewing the current LEED rating systems, the following table outlines the recycled content of all TownSteel products that contribute to MR Credit 4.1 and 4.2 as defined in accordance with industry standards.

TownSteel Product	Post-Consumer Recycled Content (%)	Pre-Consumer Recycled Content (%)	Total Recycled Content (%)	LEED
Mortise Locks	50%	5%	55%	
Rejuvenator / Retrofit Mortise Lock Trims	48%	0%	48%	
Anti-Ligature Locks	60%	0%	60%	
Cylindrical Locks	52%	0%	52%	
Tubular Locks	60%	0%	60%	
Deadbolts and Interconnected Locks	50%	0%	50%	
Exit Devices	51%	0%	51%	
Door Closers	50%	0%	50%	

Materials and Resources- Regional Materials:

MR Credit 5.1: Regional Materials: 10% Extracted, Processed & Manufactured Regionally
1 Point

Requirements: Use building materials or products that have been extracted, harvested or recovered, as well as manufactured, within 500 miles of the project site for a

The Leadership In Energy and Environmental Design

minimum of 10% (based on cost) of the total materials value. If only a fraction of a product or material is extracted/harvested/recovered and manufactured locally, then only that percentage (by weight) shall contribute to the regional value.

MR Credit 5.2: Regional Materials: 20% Extracted, Processed & Manufactured Regionally

1 Point in addition to MR Credit 5.1

Requirements: Use building materials or products that have been extracted, harvested or recovered, as well as manufactured, within 500 miles of the project site for an additional 10% beyond MR Credit 5.1 (total of 20%, based on cost) of the total materials value. If only a fraction of the material is extracted/harvested/recovered and manufactured locally, then only that percentage (by weight) shall contribute to the regional value.

Statement-Manufacturing Locations for Regional Materials:

“Manufactured refers to the final assembly of components into the building product”. The following table outlines TownSteel products that may support MR Credit 5.1 and 5.2 depending on the location of the specific project being certified.

TownSteel Product	Manufacturing Location
Mortise Locks	17901 Railroad Street City of Industry, CA 91748
Rejuvenator / Retrofit Mortise Lock Trims	17901 Railroad Street City of Industry, CA 91748 China, Taiwan and/or South Korea
Anti-Ligature Locks	17901 Railroad Street City of Industry, CA 91748
Cylindrical Locks	17901 Railroad Street City of Industry, CA 91748 China, Taiwan and/or South Korea
Tubular Locks	17901 Railroad Street City of Industry, CA 91748
Deadbolts and Interconnect Locks	China, Taiwan and/or South Korea
Exit Devices	China, Taiwan and/or South Korea
Door Closers	China, Taiwan and/or South Korea



The Leadership In Energy and Environmental Design

Indoor Environmental Quality- Low Emitting Materials:

Requirements: Reduce the quantity of indoor air contaminants that are odorous, irritating, and/or harmful to the comfort and well-being of installers and occupants.

Statement – Indoor Environmental Quality Low Emitting Materials:

TownSteel Product	Volatile Organic Compounds
All	Do not produce VOC emissions



TownSteel®

Architectural Hardware MFG

PRODUCT CATALOG

17901 Railroad Street, City of Industry, CA 91748

Toll Free: 877-858-0888

Tel: 626-965-8917

Fax: 626-965-8919

Web: www.townsteel.com

E-mail: sales@townsteel.com